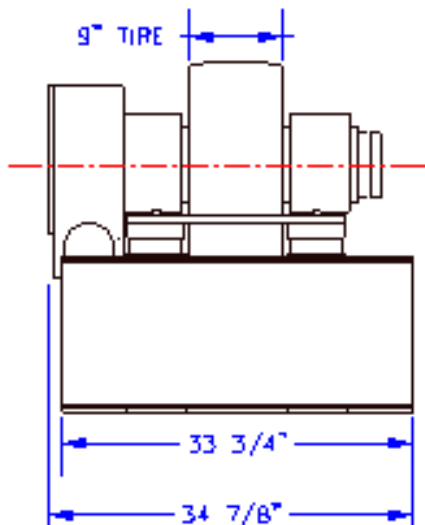
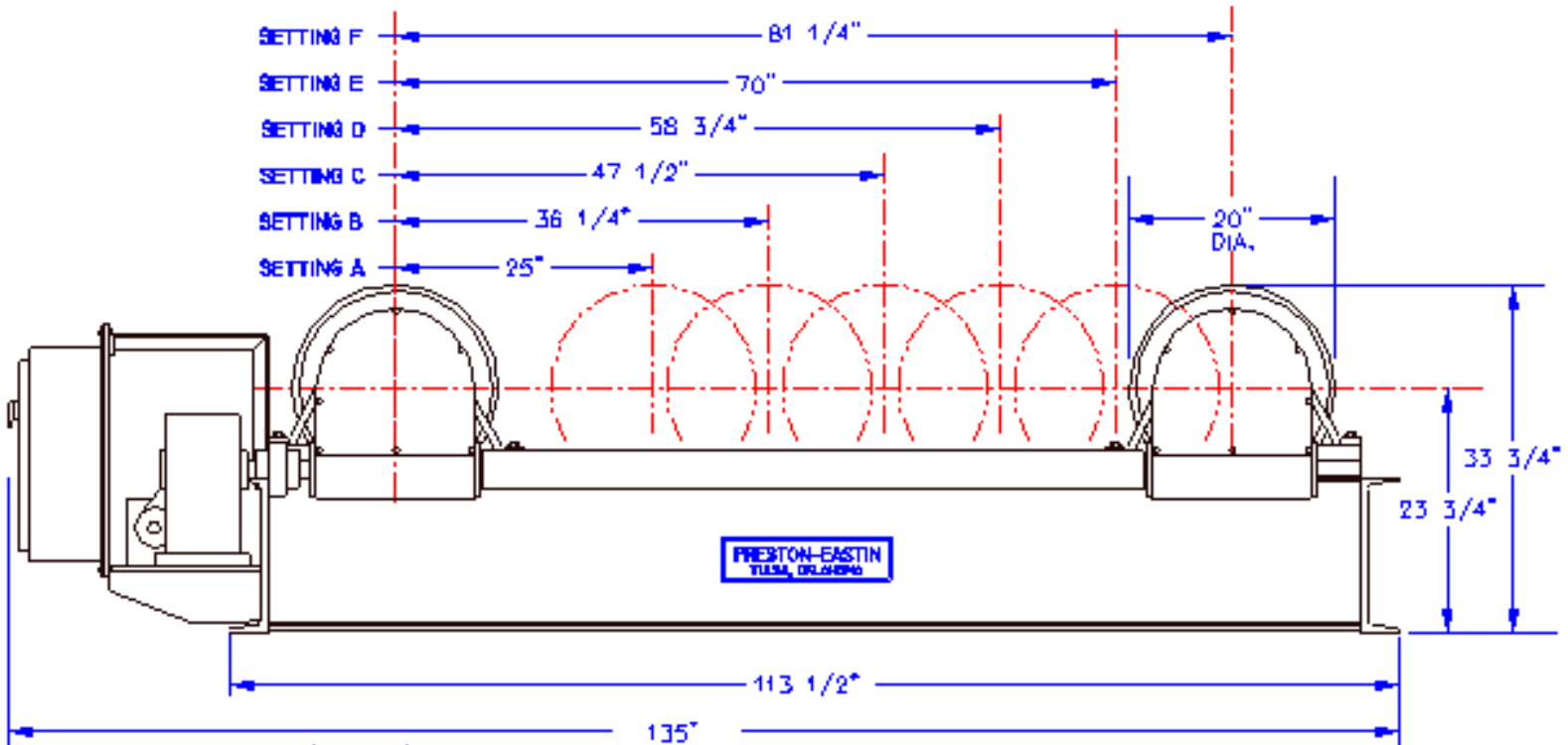


MODEL TDSA-200 HD DRIVER MODEL TISA-200 HD IDLER

SPECIFICATIONS

- WEIGHT CAPACITY : 200 Tons (Per Driver/Idler Combination)
- TURNING CAPACITY : 600,000 Pounds
- TRACTIVE PULL : 28,000 Pounds
- DIAMETER RANGE : 8" Thru 18'0" Diameter
- SPEED RANGE : 1 to 40 IPM
- MOTOR SIZE : 5 Horsepower DC
- WHEEL DIAMETER : 20" Diameter Steel
- WHEEL FACE : 9" Wide Steel



VESSEL DIAMETER RANGES

SETTING	MINIMUM DIAMETER	MAXIMUM DIAMETER
A	8"	48"
B	30"	6'-0"
C	4'-0"	9'-0"
D	5'-0"	11'-0"
E	7'-0"	14'-0"
F	9'-0"	18'-0"