



TM-275857A

2017-08

**Processes**



TIG (GTAW) Welding



Stick (SMAW) Welding

**Description**



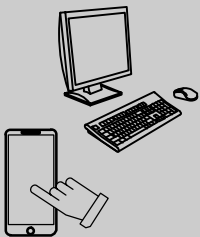
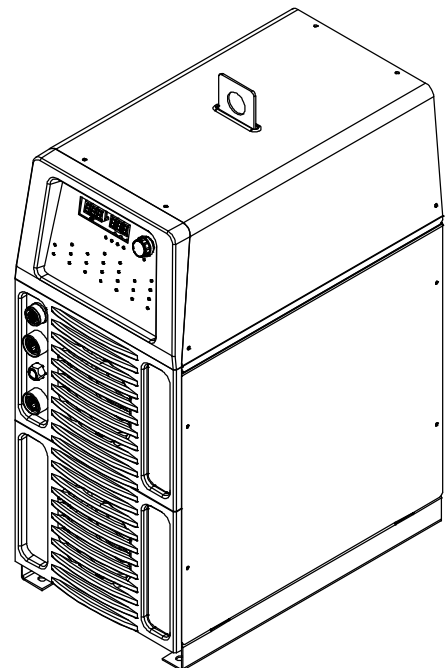
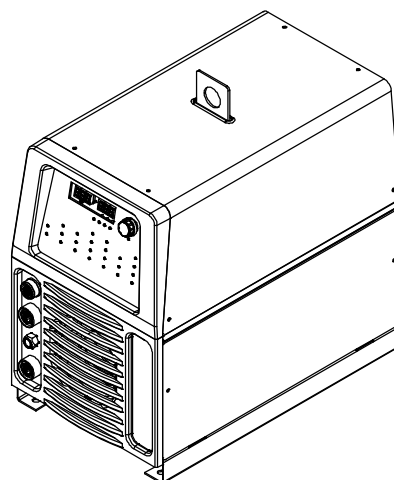
208/575 Volt Models W/Auto-Line™  
380/575 Volt Three-Phase  
W/Auto-Line™ (CE)  
Arc Welding Power Source

# Dynasty<sup>®</sup> 400, 800 Maxstar<sup>®</sup> 400, 800 CE And Non-CE Models

## PARTS LIST

**Eff w/MH040314L And Following**


For OM-275857 Revision D And Following

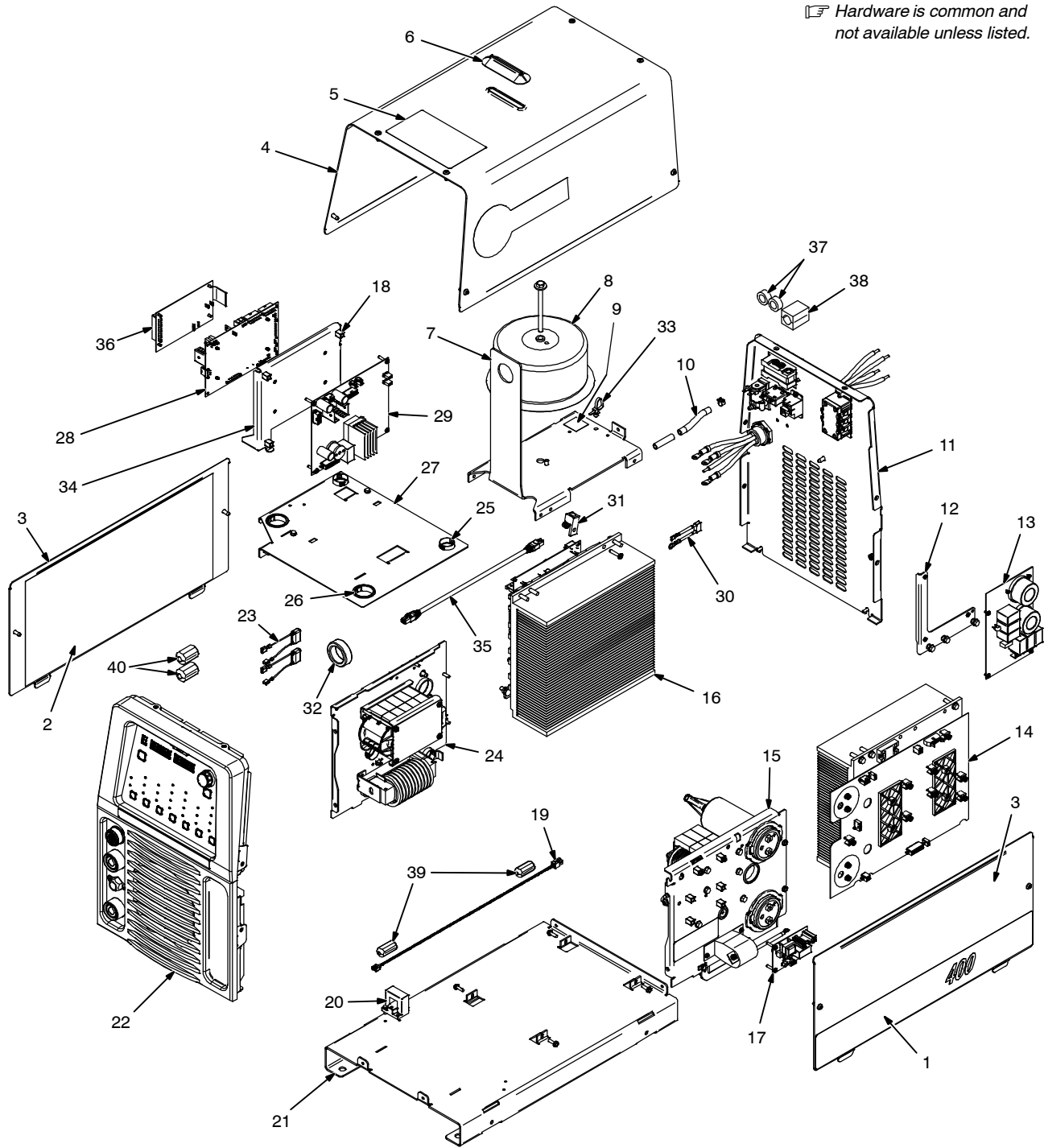


For product information,  
Owner's Manual translations,  
and more, visit

[www.MillerWelds.com](http://www.MillerWelds.com)

# SECTION 1 – PARTS LIST FOR 400 MODELS EFFECTIVE W/MH030922L

 Hardware is common and not available unless listed.



Dynasty 400 illustrated

805581-A

Figure 15-1. Main Assembly

Item No.	Dia. Mkgs.	Part No.	Description	Quantity
----------	------------	----------	-------------	----------

**Figure 15-1. Main Assembly**

.. 1		275864	Label, Side Dynasty 400	2
.. 1		275863	Label, Side Maxstar 400	2
.. 2		224516	Insulator, Side	2
.. 3		216878	Panel, Side	2
.. 4		+213056	Wrapper, Top	1
.. 5		274964	Label, Warning General Precautionary	1
.. 5		245694	Label, Warning General Precautionary Wordless, EMF	1
.. 6		213073	Seal, Lift Eye	1
.. 7		213058	Lift Eye	1
.. 8	T3	275365	XFMR, 665 115/24 18/18 220	1
.. 9		155436	Label, Ground/Protective Earth	1
.. 10		254015	Hose, Nprn Brd No 1 X .250 ID X 23.000	1
.. 11	Figure 15-3		Panel, Rear W/Components	1
.. 12		277569	Bracket, Filter Board	1
.. 13	PC10	279206	Circuit Card Assy, Input Filter (CE)	1
.. 14	Figure 15-5		Heat Sink, Primary Assy	1
.. 15	Figure 15-4		Windtunnel, Right Hand W/Components	1
.. 16	Figure 15-7		Heat Sink, Secondary – Dynasty 400	1
.. 16	Figure 15-8		Heat Sink, Secondary – Maxstar 400	1
.. 17	PC4	247046	Circuit Card Assy, HF	1
.. 17	PLG1	131204	Housing Rcpt+Skts, (Service Kit)	1
.. 18		083147	Grommet, SCR No 8/10 Panel Hole .312 Sq .375 High	8
.. 19		275299	Cable Assy, Hall Effect W/Plugs 19 In.	1
.. 20	HD1	182918	Transducer,Current 400A Module Supply V +/- 15V	1
.. 21		213055	Base	1
.. 22	Figure 15-2		Panel, Front W/Cmpnts	1
.. 22		224521	Connection Kit, Dinse	1
.. 23	C22,C24	221707	Capacitor Assy	2
.. 24	Figure 15-6		Windtunnel, Left Hand W/Components	1
.. 25		057357	Bushing, Snap-In Nyl .937 ID X 1.125 Mtg Hole	2
.. 26		170647	Bushing, Snap-In Nyl 1.312 ID X 1.500 Mtg Hole	2
.. 27		274961	Panel, Top Windtunnel	1
.. 28	PC2	279663	Circuit Card Assy, Process Control	1
.. 28	PLG1	115093	Housing Rcpt+Skts, (Service Kit)	1
.. 28	PLG40	115094	Housing Rcpt+Skts, (Service Kit)	1
.. 28	PLG60	131055	Housing Rcpt+Skts, (Service Kit)	1
.. 28	PLG80	131204	Housing Rcpt+Skts, (Service Kit)	1
.. 28	PLG100	131056	Housing Rcpt+Skts, (Service Kit)	1
.. 28	PLG140	131056	Housing Rcpt+Skts, (Service Kit)	1
.. 29	PC7	273248	Circuit Card Assy, Aux Power W/Program	1
.. 29	PLG1	130203	Housing Rcpt+Skts, (Service Kit)	1
.. 29	PLG2	131204	Housing Plug+Skts, (Service Kit)	1
.. 29	PLG4	158719	Housing Plug+Skts, (Service Kit)	1
.. 29	PLG7	131052	Housing Rcpt+Skts, (Service Kit)	1
.. 29	PLG10	131054	Housing Plug+Skts, (Service Kit)	1
.. 29	PLG11	115093	Housing Plug+Skts, (Service Kit)	1
.. 30	C23	233133	Capacitor Assy, (Maxstar CE)	1
.. 31		213248	Lug, Univ W/Screw 2/0-14 Wire .266Std	1
.. 32	F21	131447	Core, Toroidal 1.332 ID X 1.932 OD X .625 Thk (Dynasty CE)	1
.. 33		235496	Cable Tie, 0.06-2.000 Bundle Dia Tree Style Push Mount	1
.. 33			Mtg Hole Dia .246-.276	1
.. 34		275176	Bracket, Mtg Circuit Card Assy	1
.. 35		275127	Cable, Ethernet	1
.. 35		278161	Kit, Automation Interface Connection (Includes) (Not Shown)	1
.. 36	PC13	273436	Circuit Card Assy, Automation	1
.. 36		278321	Receptacle, W/Leads & Plug 28 Pin	1
.. 36		218715	Conn, Circ Ms/Cpc 28Pin Size 17 Plug Cable Pushin	1
.. 36		218713	Conn, Circ Ms/Amp Pin Pushin 20-24Ga Solder Cup	28
.. 36		079739	Conn, Circ Cpc Clamp Str Rlf Size 17-20 .703OD	1

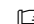
Item No.	Dia. Mkgs.	Part No.	Description	Quantity
----------	------------	----------	-------------	----------

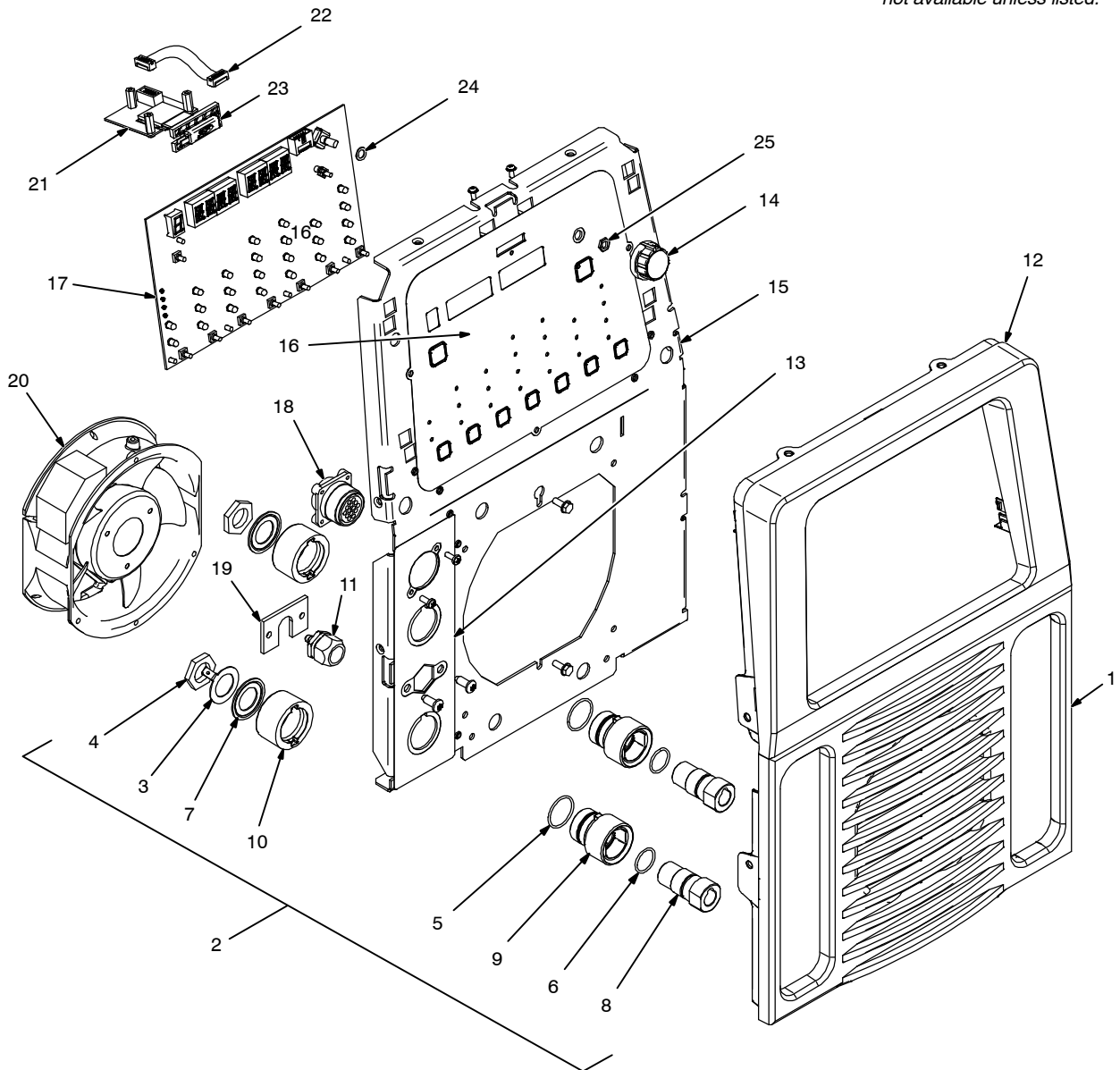
**Figure 15-1. Main Assembly**

.....	PLG1	.....	167333	..	Housing Rcpt+Skts, (Service Kit)	.....	1		
..	37	..	F12,F13	..	268209	....	Core, Ferrite 25.4MM OD X 15.5MM ID X 12.7MM Lg (CE)	.....	2
..	38	.....	F11	.....	278026	....	Core, Ferrite 25.4MM OD X 15.5MM ID X 12.7MM Lg (CE)	.....	1
..	39	..	F31,F32	..	249747	....	Core, Ferrite Round Cable .201 ID Clamp-On EMI Supp	.....	2
..	40	..	F33,F34	..	265451	....	Core, Ferrite Round Cable .400 ID Clamp-On EMI Supp	.....	2

+When ordering a component originally displaying a precautionary label, the label should also be ordered.

**To maintain the factory original performance of your equipment, use only Manufacturer's Suggested Replacement Parts. Model and serial number required when ordering parts from your local distributor.**

 Hardware is common and not available unless listed.



805582-A

**Figure 15-2. Panel, Front w/Components**

Item No.	Dia. Mkgs.	Part No.	Description	Quantity
<b>275858 Figure 15-2. Panel, Front w/Components</b>				
.. 1		213053	Panel, Louver Cover	1
.. 2		279661	Rcpt Assy, Tw Lk Insul Fem (Dinse Type) (Includes)	2
.. 3		178548	Terminal, Connector Friction	1
.. 4		185717	Nut, M20-1.5 1.00hex .19H Brs Locking	1
.. 5		185718	O-Ring, 0.989 ID X 0.070 H	1
.. 6		186228	O-Ring, 0.739 ID X 0.070 H	1
.. 7		229338	Washer, Domed Load .812 ID X 1.450 OD X .070 Thk	1
.. 8		250043	Receptacle, Twist Lock Brass Power (Female)	1
.. 9		274934	Insulator, Bulkhead Front	1
.. 10		274935	Insulator, Bulkhead Rear	1
.. 11		231279	Fitting, Gas-Clip Mount	1
.. 12		213051	Panel, Front Top	1
.. 13		233115	Plate, Indicator Front - Dynasty 400	1
.. 13		233116	Plate, Indicator Front - Maxstar 400	1
.. 14		228546	Knob, Pointer 1.250 Dia X 6mm ID W/Spring	1
.. 15		273669	Panel, Front	1
.. 16		273670	Nameplate, Dynasty	1
.. 16		275861	Nameplate, Maxstar	1
.. 17	PC3	279664	Circuit Card Assy, Interface W/Program	1
.. 18	RC1	275258	Receptacle, W/Leads & Plug 14Pin	1
.. 19		230155	Bracket, Valve Mtg	1
.. 20	FM	213072	Fan, Muffin	1
.. 21	PC9	274828	Circuit Card Assy, SD	1
.. 22		254529	Cable, Ribbon	1
.. 23		254052	Cover, SD Card	1
.. 24		254153	Washer, Flat .281ID x 0.500 OD x .031T Stl Pld	1
.. 25		254151	Nut, M07-.75 10 MM Hex 2 MM H Stl Pld	1

+When ordering a component originally displaying a precautionary label, the label should also be ordered.

**To maintain the factory original performance of your equipment, use only Manufacturer's Suggested Replacement Parts. Model and serial number required when ordering parts from your local distributor.**

## Notes

---



---



---



---



---



---



---



---



---



---



---



---



---



---



---



---



---



---



---



---

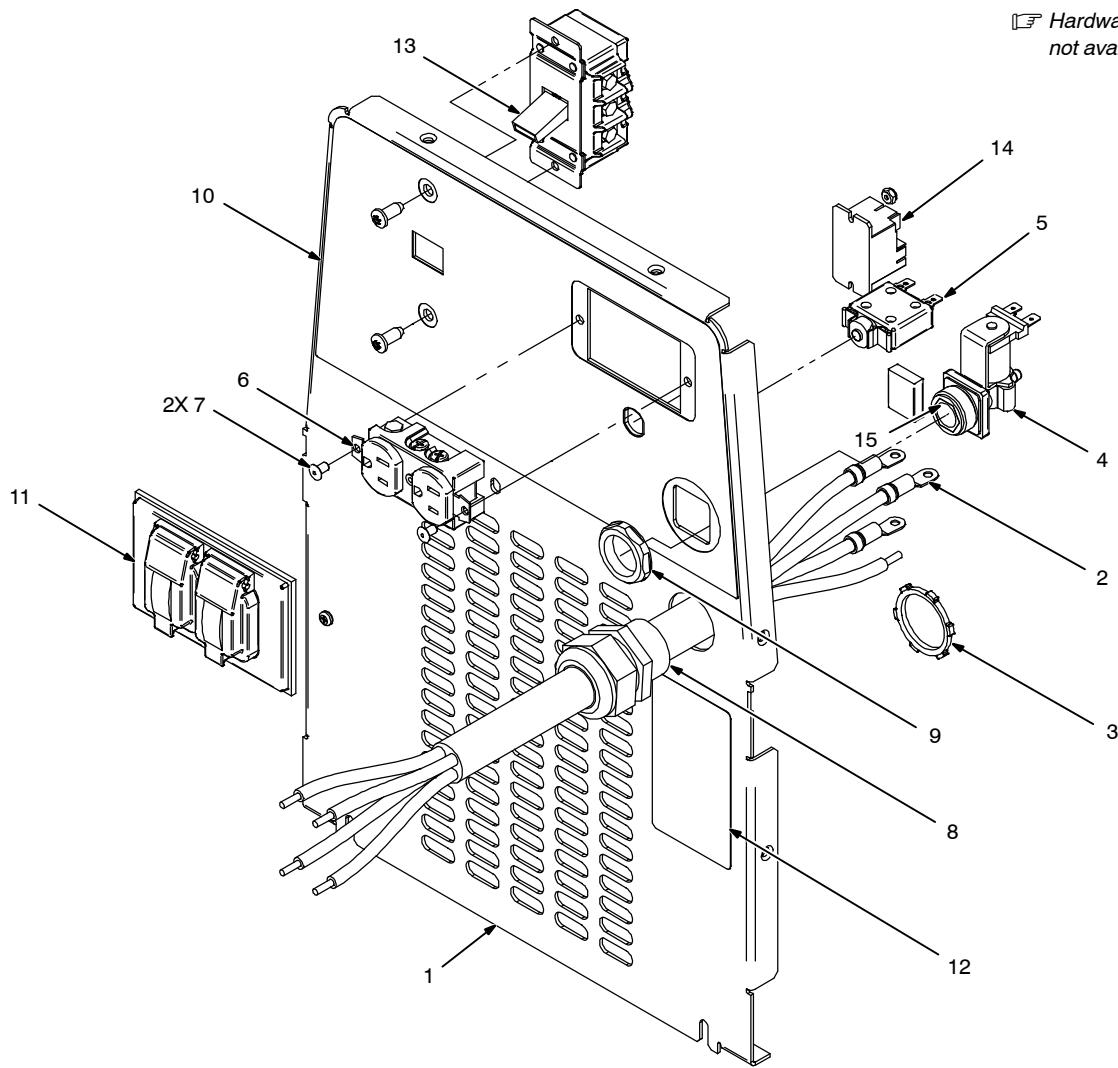


---



---

Hardware is common and not available unless listed.



805583-A

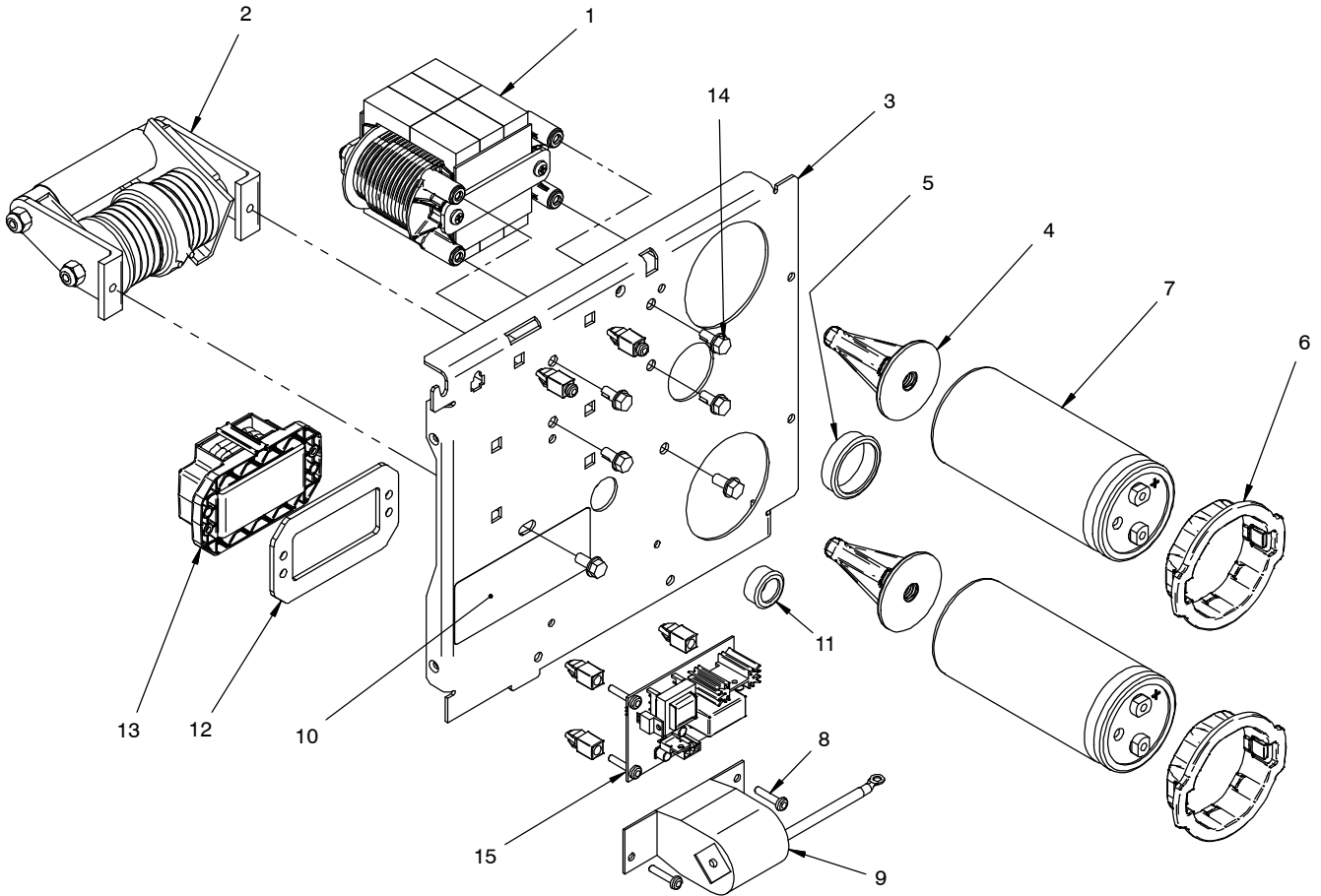
**Figure 15-3. Panel, Rear w/Components**

Item No.	Dia. Mkgs.	Part No.	Description	Quantity
<b>274712 Figure 15-3. Panel, Rear w/Components</b>				
.. 1		+273981	.. Panel, Rear (Order By Stock And Serial Number)	1
.. 2		216880	.. Cable, Power	1
.. 2		278248	.. Cable, Power (CE)	1
.. 3		182445	.. Nut, Conduit 1.000 Npt Pld 1.688 OD X .200 Thk	1
.. 4	GS1	238805	.. Valve, 24VDC 2way,125 PSI Custom Port.054 Orf W/Fr	1
.. 5	SP1	183492	.. Supplementary Protector, Man Reset 1P 10A 250V Fric	1
.. 6	RC2	189033	.. Rcpt, Str Dx Gnd 2P3W 15A 125V (Gray)	1
.. 7		127013	.. Rivet, Al .187 Dia X .063-.125 Grip Blk Blind Dome	2
.. 8		215980	.. Bushing, Strain Relief .709/.984 ID X1.375 Mtg Hole	1
.. 8		255469	.. Bushing, Strain Relief .490/.785 ID x 1.326 Mtg Hole (CE)	1
.. 9		137761	.. Nut, 750 Npt 1.31Hex .27H Nyl Blk	1
.. 10		277568	.. Nameplate, Ident Rear	1
.. 11		217297	.. Cover, Receptacle Weatherproof Duplex Rcpt	1
.. 12		217480	.. Label, Warning Incorrect Connections	1
.. 12		219842	.. Label, Warning Input Connections/Electric Shock (CE)	1
.. 13	S1	244920	.. Switch, Tgl 3Pst 40A 600VAC Scr Term Wide Tgl	1
.. 14	CR1	206258	.. Relay, Encl 24VDC Spst 30A/240VAC 4Pin Flange Mtg	1
.. 15		278019	.. Gasket, EMI 10mm X 20mm X 25.4mm	1

+When ordering a component originally displaying a precautionary label, the label should also be ordered.

**To maintain the factory original performance of your equipment, use only Manufacturer's Suggested Replacement Parts. Model and serial number required when ordering parts from your local distributor.**

☞ Hardware is common and not available unless listed.



805584-A

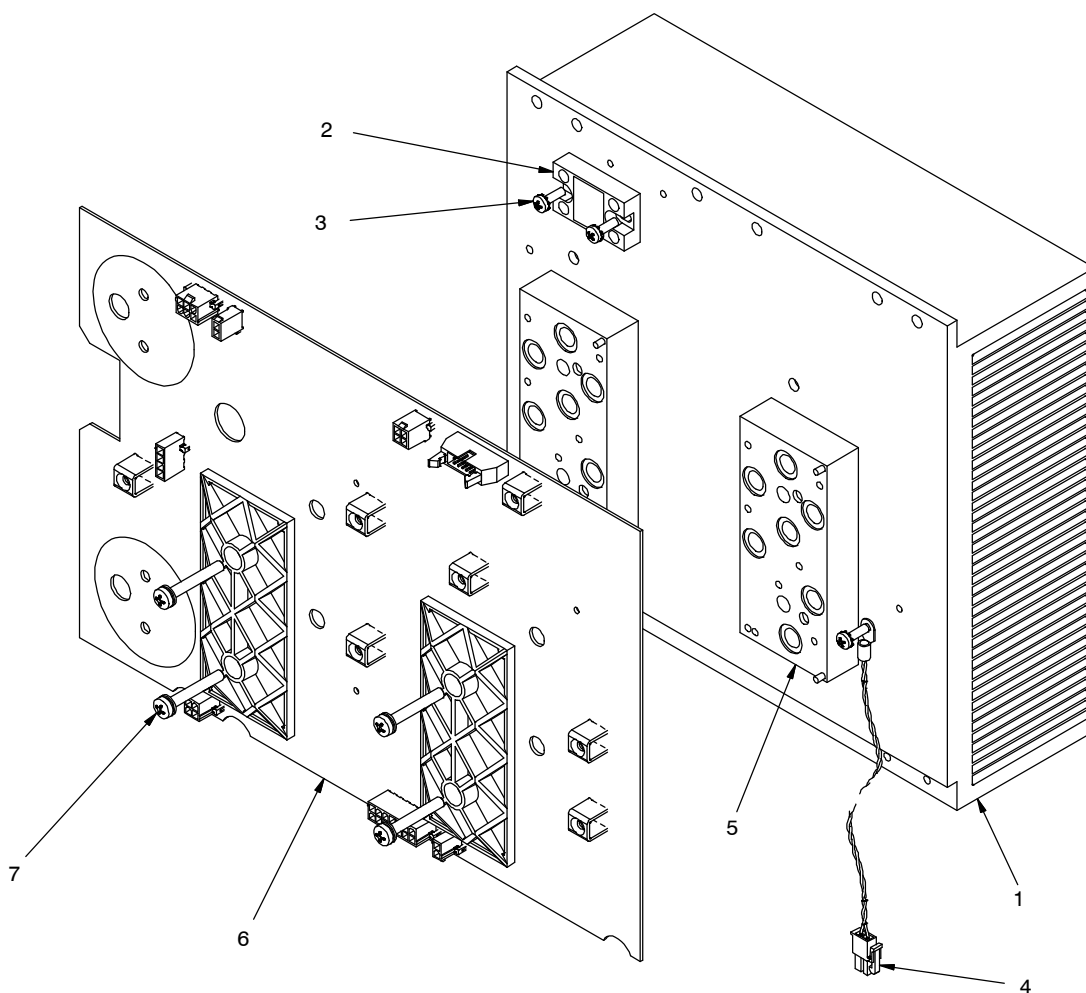
**Figure 15-4. Wind Tunnel, Right Hand w/Components**

Item No.	Dia. Mkgs.	Part No.	Description	Quantity
<b>274987 Figure 15-4. Wind Tunnel, Right Hand w/Components</b>				
.. 1	.. L11	.. 276208	.. Inductor, Input	.. 1
.. 2	.. T2	.. 242782	.. XFMR, HF Coupling	.. 1
.. 3	..	.. +274959	.. Panel, Right Windtunnel	.. 1
.. 4	..	.. 216861	.. Stand-Off, Capacitor	.. 2
.. 5	..	.. 170647	.. Bushing, Snap-In Nyl 1.312 ID X 1.500 Mtg Hole	.. 1
.. 6	..	.. 216860	.. Grommet, Capacitor	.. 2
.. 7	.. C4,C20	.. 245614	.. Capacitor, Elctlt 1800 Uf 500 VDC Can 2.52 Dia	.. 2
.. 8	..	.. 207418	.. Screw, K40x 20 Pan Hd-Phi Stil Pld Pt Thread Forming	.. 2
.. 9	.. C11	.. 216700	.. Capacitor, Polyp Met Film 16. UF 400 VAC 10%	.. 1
.. 10	..	.. 218004	.. Label, Warning Electric Shock/Exploding Parts	.. 1
.. 10	..	.. 219844	.. Label, Warning Electric Shock/Exploding Parts-Wdles (CE)	.. 1
.. 11	..	.. 010493	.. Bushing, Snap-In Nyl .625 ID X .875 Mtg Hole	.. 1
.. 12	..	.. 218566	.. Gasket, Inductor Mounting	.. 1
.. 13	.. L12	.. 213348	.. Coil, Inductor (Pre-Regulator)	.. 1
.. 14	..	.. 233913	.. Screw,250- X .50 Hexwhd T-25 T/C SC ZC	.. 6
.. 15	.. PC4	.. 247046	.. Circuit Card, HF	.. 1

+When ordering a component originally displaying a precautionary label, the label should also be ordered.

**To maintain the factory original performance of your equipment, use only Manufacturer's Suggested Replacement Parts. Model and serial number required when ordering parts from your local distributor.**

☞ Hardware is common and not available unless listed.



805585-A

**Figure 15-5. Heat Sink, Primary Assembly**

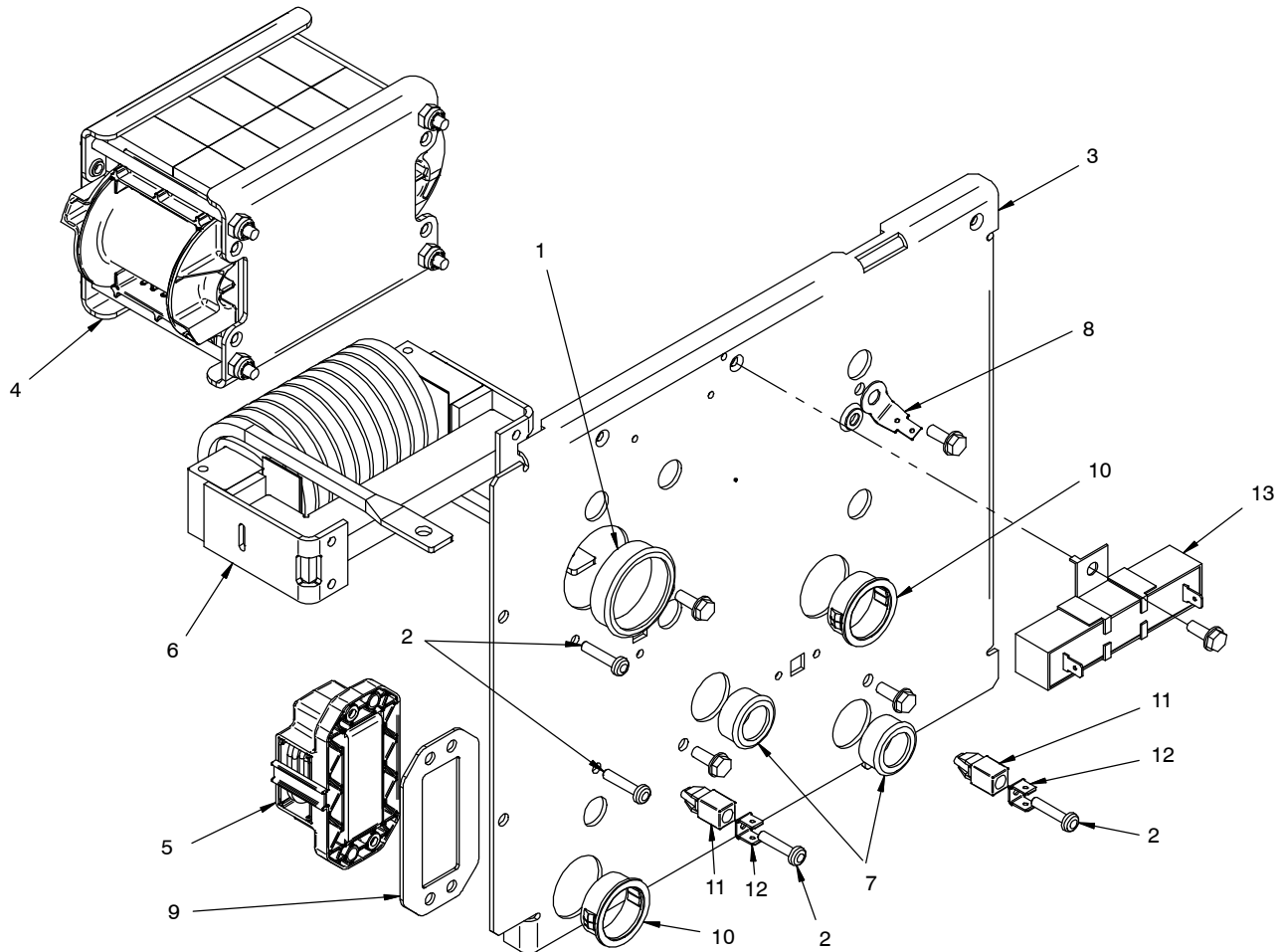
Item No.	Dia. Mkgs.	Part No.	Description	Quantity
<b>274988 Figure 15-5. Heat Sink, Primary Assembly</b>				
1		213346	Heat Sink, Power Module	1
2	RM1	205751	Module, Power Resistor W/Plug	1
3		207451	Screw, 008-32 x .50 Pan Hd-Phl Stl Pld Sems	3
4	RT11	213353	Thermistor, Ntc 30K Ohm @ 25 Deg C 8in. Lead	1
5	MOD1,2	261556	Kit, Input/Pre-Regulator And Inverter Module	1
6	PC1	276658	Circuit Card Assy, Power Interconnect	1
	PLG1	131054	Housing Rcpt+Skts, (Service Kit)	1
	PLG2	201665	Housing Rcpt+Skts, (Service Kit)	1
	PLG4	115093	Housing Rcpt+Skts, (Service Kit)	1
	PLG6	131056	Housing Rcpt+Skts, (Service Kit)	1
	PLG7	115094	Housing Rcpt+Skts, (Service Kit)	1
	PLG8	279432	Housing Rcpt+Skts, (Service Kit)	1
7		229334	Screw, M5-.8x 35 Pan Hd-Phl Stl Pld Sems	4

+When ordering a component originally displaying a precautionary label, the label should also be ordered.

**To maintain the factory original performance of your equipment, use only Manufacturer's Suggested Replacement Parts. Model and serial number required when ordering parts from your local distributor.**



☞ Hardware is common and not available unless listed.



805586-A

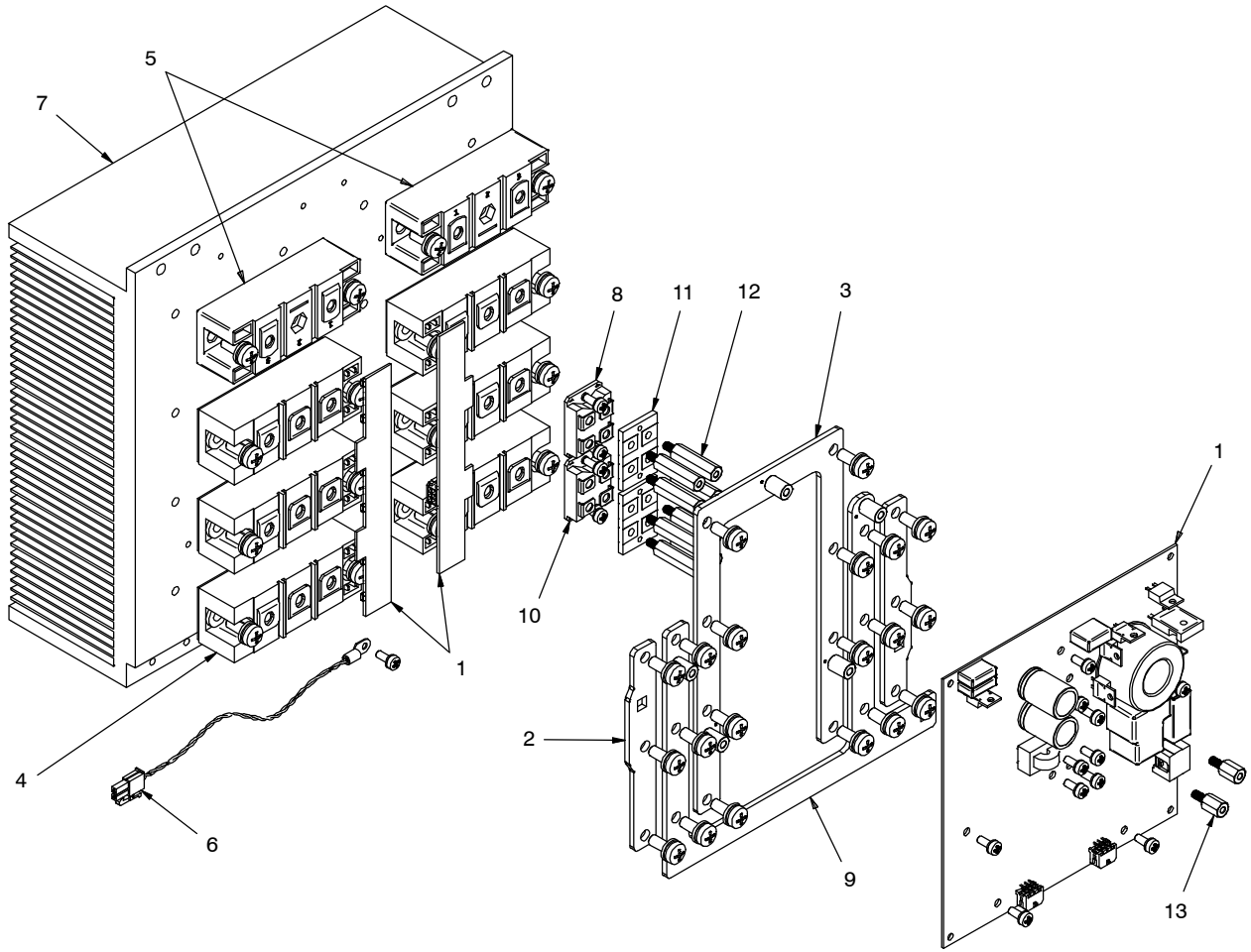
**Figure 15-6. Wind Tunnel, Left Hand w/Components**

Item No.	Dia. Mkgs.	Part No.	Description	Quantity
<b>274756 Figure 15-6. Wind Tunnel, Left Hand w/Components</b>				
.. 1 .....		170647 ..	Bushing, Snap-In Nyl 1.312 ID X 1.500 Mtg Hole .....	1
.. 2 .....		207418 ..	Screw, K40 x 12 Pan Hd-Phl Stl Pld Pt Thread Forming .....	2
.. 3 .....		274960 ..	Panel, Left Windtunnel .....	1
.. 4 .....	T1	274757 ..	XFMR, Hf Litz/Litz W/Boost .....	1
.. 5 .....	L22	275390 ..	Coil, Inductor (Boost) .....	1
.. 6 .....	L21	213356 ..	Output Inductor Assy .....	1
.. 7 .....		010493 ..	Bushing, Snap-In Nyl .625 ID X .875 Mtg Hole .....	2
.. 8 .....		231208 ..	Connector, Rectifier .....	1
.. 9 .....		227746 ..	Gasket, Inductor Mounting E55 Ferrite Core .....	1
.. 10 .....		057357 ..	Bushing, Snap-In Nyl .937 ID X 1.125 Mtg Hole .....	2
.. 11 .....		083147 ..	Grommet,Scr No 8/10 Panel Hole .312 Sq .500 High .....	2
.. 12 .....		600760 ..	Term, Frict 250x032 Uninsul Male .130 Stud Mtg 1pr .....	2
.. 13 .....	R21	275003 ..	Resistor,WW Fxd 50 W 10 Ohm 5% W/Ter (Dynasty Only) .....	1

+When ordering a component originally displaying a precautionary label, the label should also be ordered.

**To maintain the factory original performance of your equipment, use only Manufacturer's Suggested Replacement Parts. Model and serial number required when ordering parts from your local distributor.**

☞ Hardware is common and not available unless listed.




805587-A

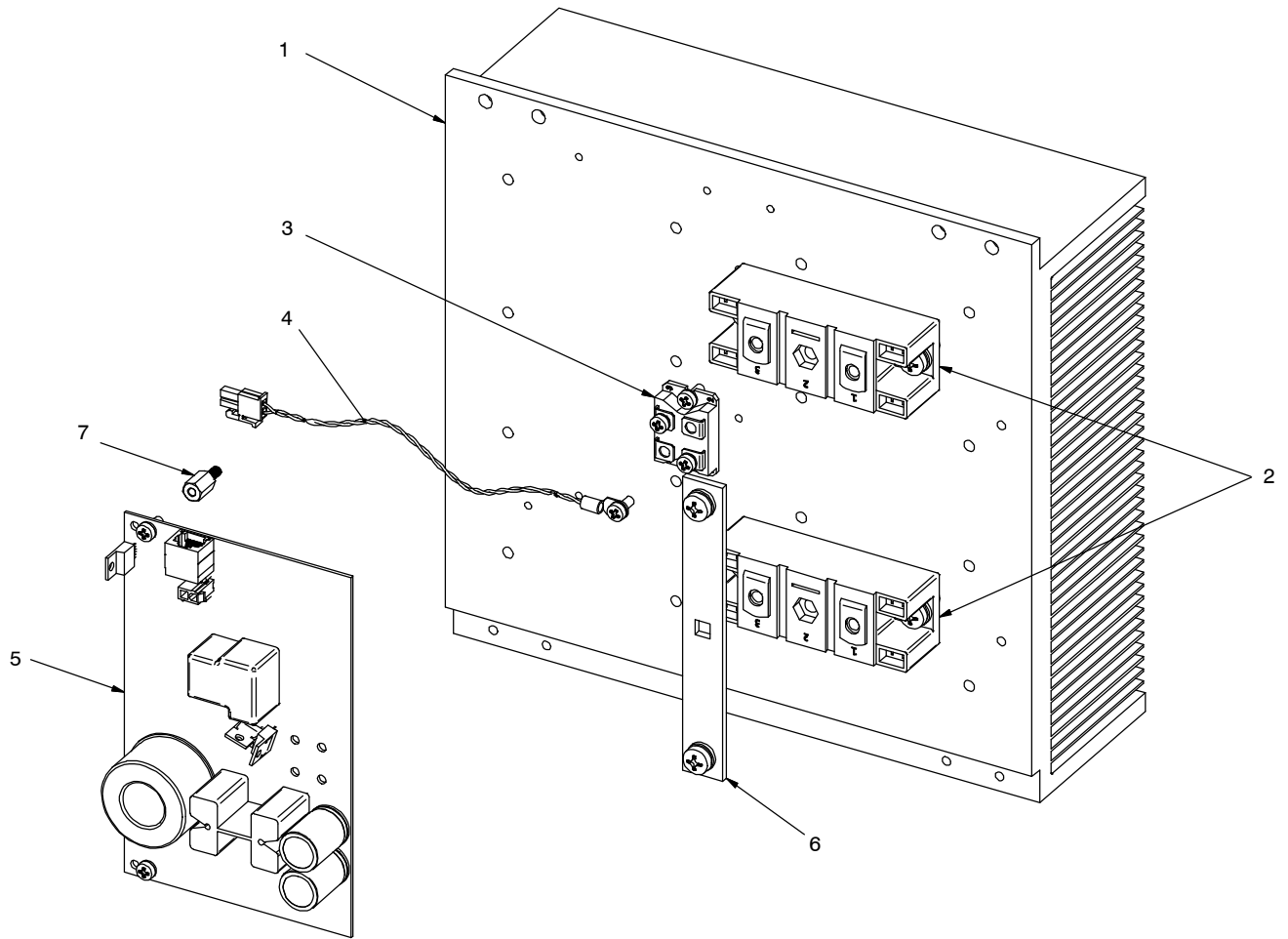
**Figure 15-7. Heat Sink, Secondary – Dynasty 400**

Item No.	Dia. Mkgs.	Part No.	Description	Quantity
<b>274754 Figure 15-7. Heat Sink, Secondary – Dynasty 400</b>				
.. 1	PC5	273440	Circuit Card Assy, Secondary	1
..	RC3	131054	Housing Rcpt+Skts, (Service Kit)	1
.. 2		213517	Bus Bar, Output	2
.. 3		274084	Bus Bar, Positive	1
.. 4	PM21-23 & PM26-28	213522	Kit, IGBT (Consists Of 3 IGBTs)	2
.. 5	D21,D22	213521	Kit, Ultra Fast Diode	2
.. 6	RT21	213353	Thermistor, Ntc 30k Ohm @ 25 Deg C 8in. Lead	1
.. 7		274755	Heat Sink, Power Module	1
.. 8	D23	201530	Kit, Diode Fast Recovery Bridge	1
.. 9		274085	Bus Bar, Negative	1
.. 10	PM25	259420	Kit, IGBT	1
.. 11		280831	Spacer, PWB	2
.. 12		274924	Stand-Off, M4x0.7 X 30mm	8
.. 13		276732	Stand-Off, M4x.07 X 12mm	2

+When ordering a component originally displaying a precautionary label, the label should also be ordered.

**To maintain the factory original performance of your equipment, use only Manufacturer's Suggested Replacement Parts. Model and serial number required when ordering parts from your local distributor.**

 Hardware is common and not available unless listed.



805588-A

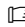
**Figure 15-8. Heat Sink, Secondary – Maxstar 400**

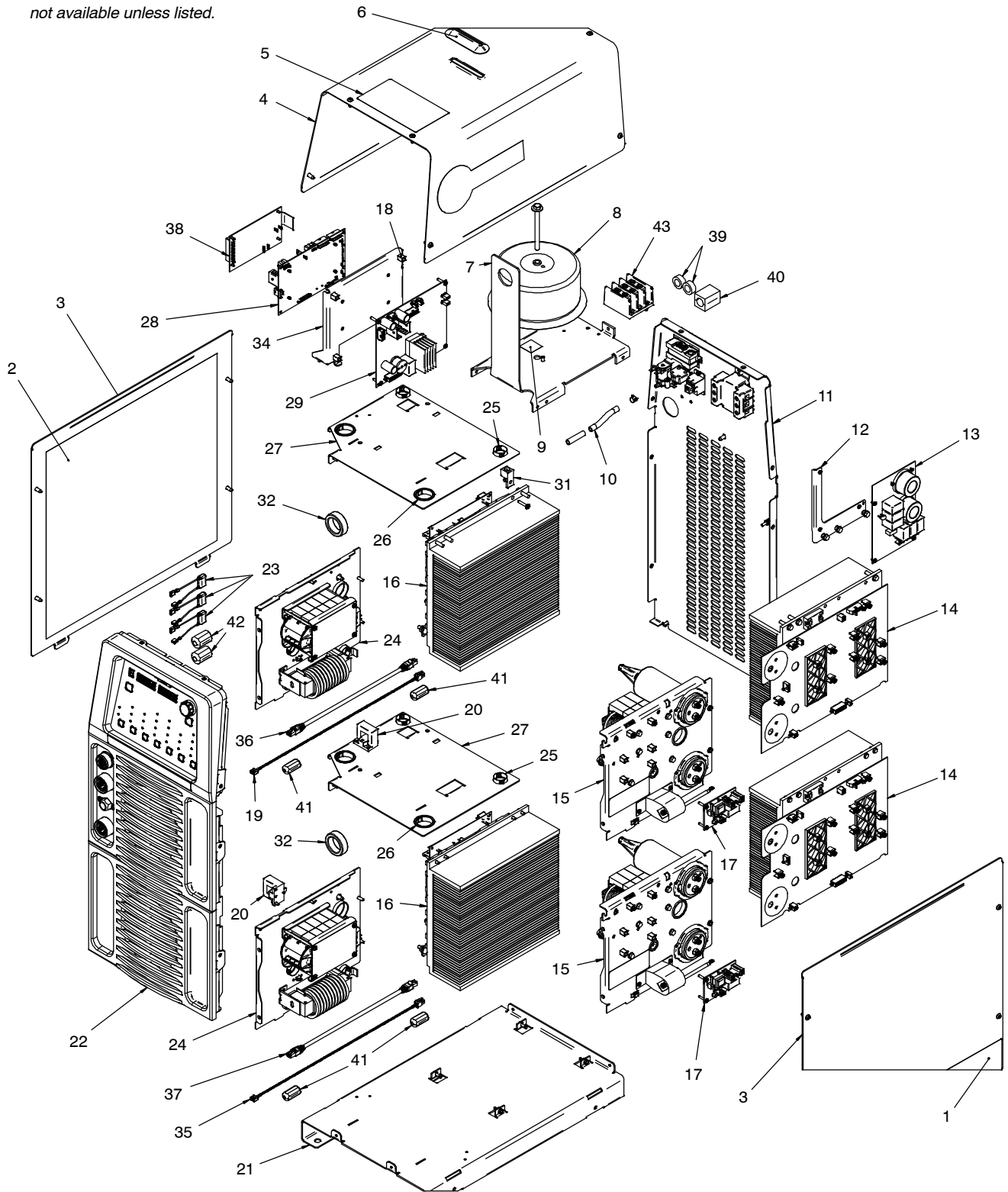
Item No.	Dia. Mkgs.	Part No.	Description	Quantity
<b>275860 Figure 15-8. Heat Sink, Secondary – Maxstar 400</b>				
.. 1 .....		274755 ..	Heat Sink, Power Module .....	1
.. 2 ..	D21, D22 ..	213521 ..	Kit, Ultra Fast Diode .....	2
.. 3 .....	D23 .....	201530 ..	Kit, Diode Power Module .....	1
.. 4 .....	RT21 .....	213353 ..	Thermistor, Ntc 30k Ohm @ 25 Deg C 8in. Lead .....	1
.. 5 .....	PC5 .....	275540 ..	Circuit Card Assy, Secondary .....	1
.....	RC3 .....	131054 ..	Housing Rcpt+Sks, (Service Kit) .....	1
.. 6 .....		213519 ..	Bus Bar .....	1
.. 7 .....		276732 ..	Standoff, M4x12mm .....	2

+When ordering a component originally displaying a precautionary label, the label should also be ordered.

**To maintain the factory original performance of your equipment, use only Manufacturer's Suggested Replacement Parts. Model and serial number required when ordering parts from your local distributor.**

# SECTION 2 – PARTS LIST FOR 800 MODELS EFFECTIVE W/MH160285L

 Hardware is common and not available unless listed.



Dynasty 800 illustrated

805602-A

Figure 16-1. Main Assembly

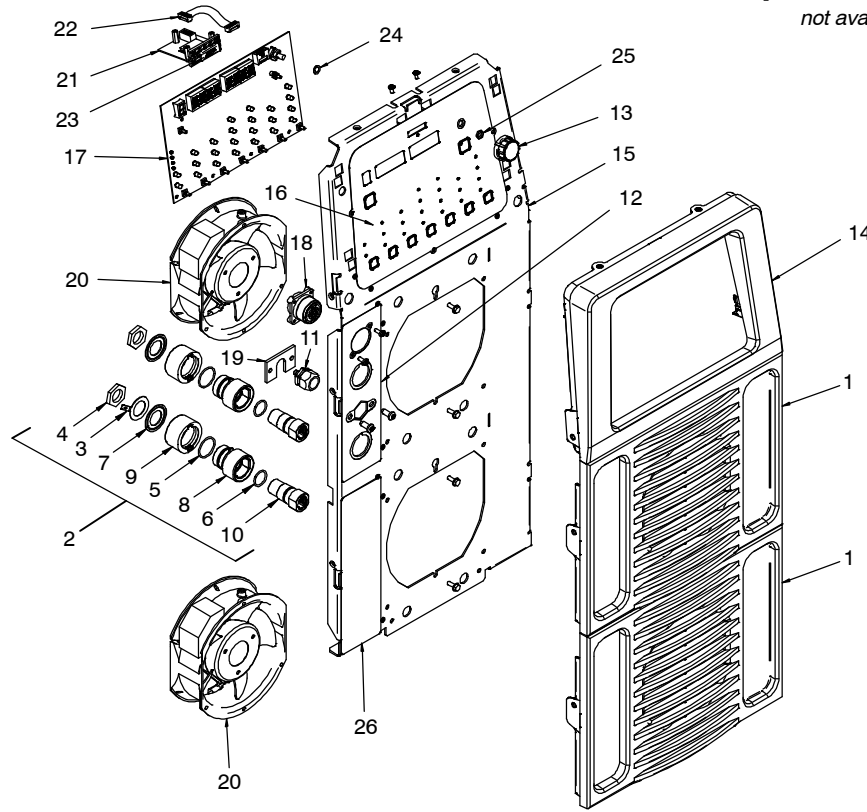
Item No.	Dia. Mkgs.	Part No.	Description	Quantity
----------	------------	----------	-------------	----------

**Figure 16-1. Main Assembly**

.. 1		275867	Label, Side Maxstar 800	2
.. 1		275868	Label, Side Dynasty 800	2
.. 2		213071	Insulator, Side	2
.. 3		213057	Panel, Side	2
.. 4		+213056	Wrapper, Top	1
.. 5		274964	Label, Warning General Precautionary	1
.. 5		245694	Label, Warning General Precautionary Wordless, EMF	1
.. 6		213073	Seal, Lift Eye	1
.. 7		213058	Lift Eye	1
.. 8	T3	275365	XFMR, 665 115/24 18/18 220	1
.. 9		279333	Label, Terminal Block Primary	1
.. 9		155436	Label, Ground/Protective Earth (CE)	1
.. 10		254015	Hose, Nprn Brd No 1 X .250 ID X 23.000	1
.. 11	Figure 16-3		Panel, Rear W/Components	1
.. 12		277569	Bracket, Filter Board	1
.. 13	PC10	279206	Circuit Card Assy, Filter (CE)	1
.. 14	Figure 16-5		Heat Sink, Primary Assy	1
.. 15	Figure 16-4		Windtunnel, Right Hand W/Components	2
.. 16	Figure 16-7		Heat Sink, Secondary – Dynasty 800	2
.. 16	Figure 16-8		Heat Sink, Secondary – Maxstar 800	2
.. 17	PC4	247046	Circuit Card Assy, HF	2
..	PLG70	131204	Housing Rcpt+Skts, (Service Kit)	1
.. 18		083147	Grommet, SCR No 8/10 Panel Hole .312 Sq .500 High	12
.. 19		275299	Cable Assy, Hall Effect W/Plugs 19 In.	1
.. 20	HD1, HD2	182918	Transducer,Current 400A Module Supply V +/- 15V	2
.. 21		213055	Base	1
.. 22	Figure 16-2		Panel, Front W/Cmpnts	1
..		215120	Connection Kit, Dinse	1
.. 23	C22,C24,C25,C26	221707	Capacitor Assy (CE)	3
.. 24	Figure 16-6		Windtunnel, Left Hand W/Components	2
.. 25		057357	Bushing, Snap-In Nyl .937 ID X 1.125 Mtg Hole	4
.. 26		170647	Bushing, Snap-in Nyl 1.312 ID X 1.500 Mtg Hole	4
.. 27		274961	Panel, Top Windtunnel	2
.. 28	PC2	279663	Circuit Card Assy, Process Control	1
..	PLG1	115093	Housing Rcpt+Skts, (Service Kit)	1
..	PLG40	115094	Housing Plug+Skts, (Service Kit)	1
..	PLG50	201665	Housing Plug+Skts, (Service Kit)	1
..	PLG60	131055	Housing Rcpt+Skts, (Service Kit)	1
..	PLG80	131204	Housing Plug+Skts, (Service Kit)	1
..	PLG90	131204	Housing Plug+Skts, (Service Kit)	1
..	PLG100	131056	Housing Plug+Skts, (Service Kit)	1
..	PLG140	131056	Housing Rcpt+Skts, (Service Kit)	1
..	PLG200	131056	Housing Plug+Skts, (Service Kit)	1
.. 29	PC7	273248	Circuit Card Assy, Aux Power W/Program	1
..	PLG1	130203	Housing Rcpt+Skts, (Service Kit)	1
..	PLG2	131204	Housing Plug+Skts, (Service Kit)	1
..	PLG3	158719	Housing Plug+Skts, (Service Kit)	1
..	PLG4	158719	Housing Rcpt+Skts, (Service Kit)	1
..	PLG5	131054	Housing Plug+Skts, (Service Kit)	1
..	PLG7	131052	Housing Plug+Skts, (Service Kit)	1
..	PLG9	115091	Housing Plug+Skts, (Service Kit)	1
..	PLG10	131054	Housing Rcpt+Skts, (Service Kit)	1
..	PLG11	115093	Housing Plug+Skts, (Service Kit)	1
.. 30	C23	233133	Capacitor Assy (Maxstar CE)	2
.. 31		213248	Lug, Univ W/Screw 2/0-14 Wire .266Std	1
.. 32	F21, F22	131447	Core, Toroidal 1.332 IDX 1.932 OD X .625 Thk (CE) (Dynasty CE)	2
.. 33		235496	Cable Tie, 0.06-2.000 Bundle Dia Tree Style Push Mount	1
..			Mtg Hole Dia .246-.276 (CE)	1
.. 34		275176	Bracket, Mtg Circuit Card Assy	1



Hardware is common and not available unless listed.

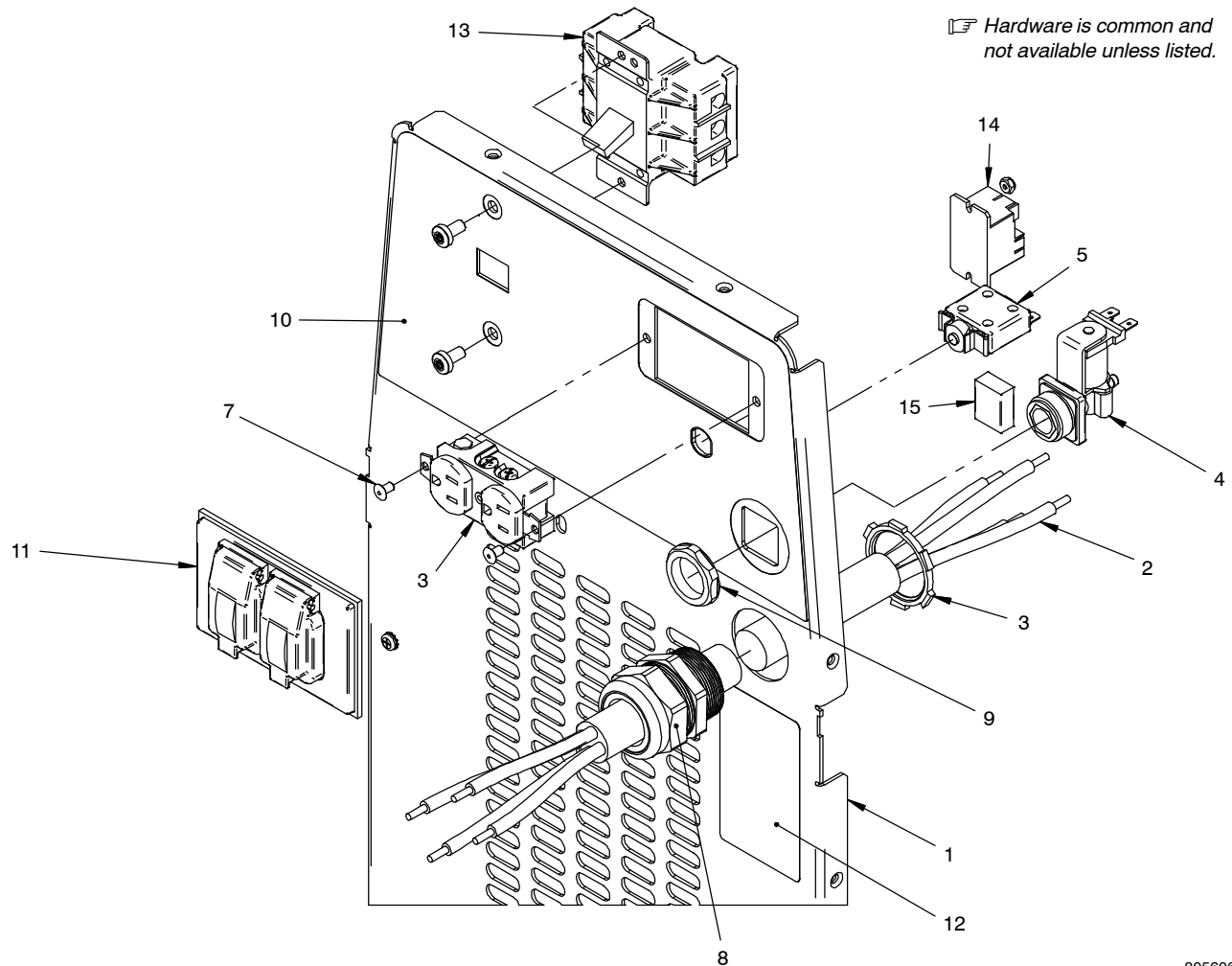


805605-A

**Figure 16-2. Panel, Front w/Components**

Item No.	Dia. Mkgs.	Part No.	Description	Quantity
<b>273676 Figure 16-2. Panel, Front w/Components</b>				
.. 1		213053	.. Panel, Louver Cover	2
.. 2		279662	.. Rcpt Assy, Tw Lk Insul Fem (Copper) (Includes)	2
.. 3		178548	.. Terminal, Connector Friction	1
.. 4		185717	.. Nut, M20-1.5 1.00hex .19H Brs Locking	1
.. 5		185718	.. O-Ring, 0.989 ID X 0.070 H	1
.. 6		186228	.. O-Ring, 0.739 ID X 0.070 H	1
.. 7		229338	.. Washer, Domed Load .812 ID X 1.450 OD X .070 Thk	1
.. 8		279662	.. Insulator, Bulkhead Front	1
.. 9		274935	.. Insulator, Bulkhead Rear	1
.. 10		276755	.. Receptacle, Twist Lock Brass Power (Female)	1
.. 11		231279	.. Fitting, Gas-Clip Mount	1
.. 12		233115	.. Plate, Indicator Front - Dynasty	1
.. 12		233116	.. Plate, Indicator Front - Maxstar	1
.. 13		228546	.. Knob, Pointer 1.250 Dia X 6mm ID W/Spring	1
.. 14		213051	.. Panel, Front Top	1
.. 15		273672	.. Panel, Front	1
.. 16		273670	.. Nameplate, Dynasty	1
.. 16		275861	.. Nameplate, Maxstar	1
.. 17	PC3	279664	.. Circuit Card Assy, Interface W/Program	1
.. 18	RC1	275258	.. Receptacle, W/Leads & Plug 14Pin	1
.. 19		230155	.. Bracket, Valve Mtg	1
.. 20	FMT, FMB	213072	.. Fan, Muffin	2
.. 21	PC9	274828	.. Circuit Card Assy, SD	1
.. 22		254529	.. Cable, Ribbon	1
.. 23		254052	.. Cover, SD Card	1
.. 24		254153	.. Washer, Flat .281ID x 0.500 OD x .031T Stl Pld	1
.. 25		254151	.. Nut, M07-.75 10 MM Hex 2 MM H Stl Pld	1
.. 26		216859	.. Plate, Front Panel	1

+When ordering a component originally displaying a precautionary label, the label should also be ordered.



805606-A

**Figure 16-3. Panel, Rear w/Components**

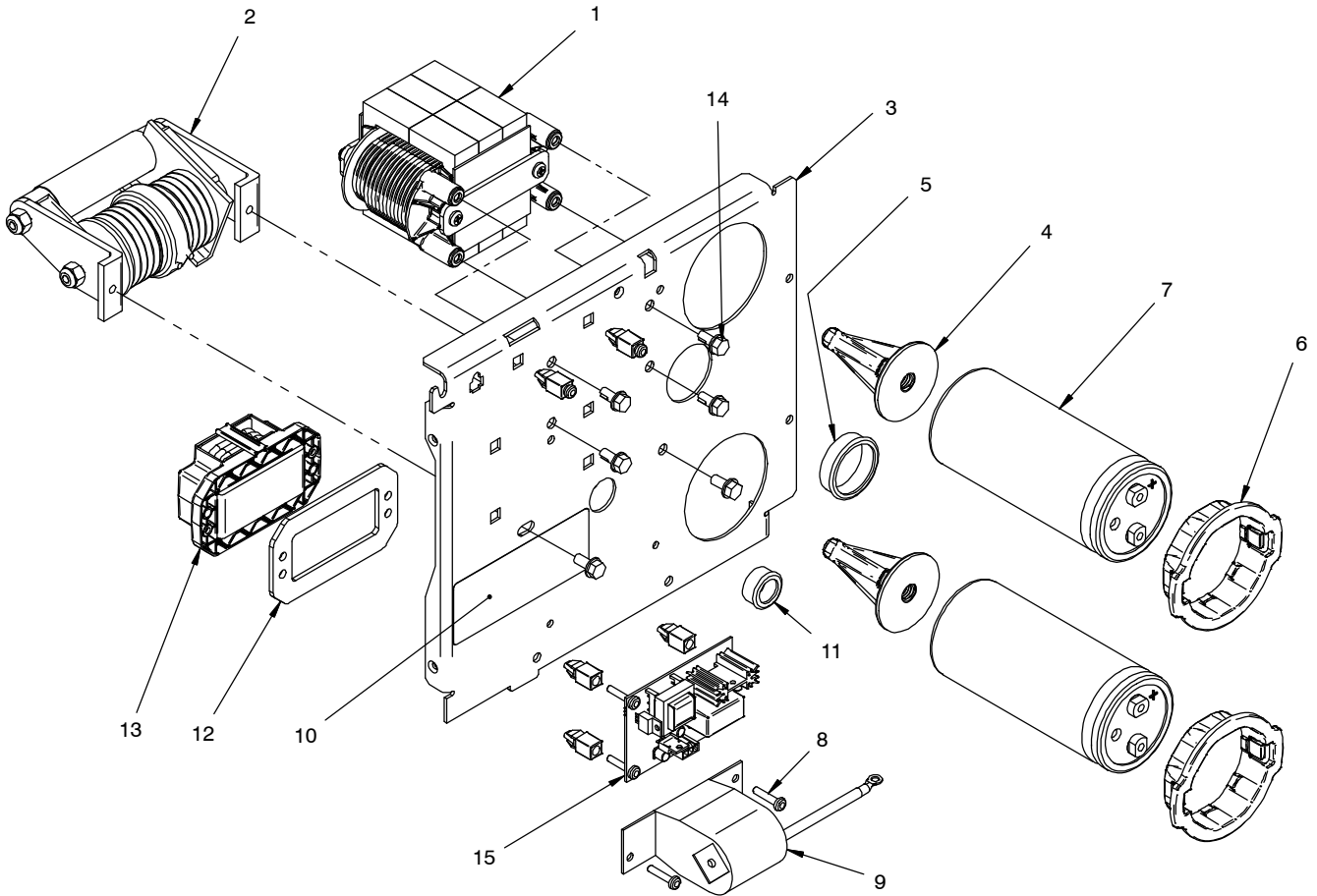
Item No.	Dia. Mkgs.	Part No.	Description	Quantity
<b>275335 Figure 16-3. Panel, Rear w/Components</b>				
.. 1		+275336	.. Panel, Rear (Order By Stock And Serial Number)	1
.. 2		216880	.. Cable, Power (CE)	1
.. 3		274562	.. Nut, Conduit 1.250–11.5 Npt Pld 2.062 OD x .17 Thk (CE)	1
.. 4	GS1	238805	.. Valve, 24VDC 2way,125 PSI Custom Port.054 Orf W/Fr	1
.. 5	SP1	183492	.. Supplementary Protector, Man Reset 1P 10A 250V Fric	1
.. 6	RC2	189033	.. Rcpt, Str Dx Gnd 2P3W 15A 125V (Gray)	1
.. 7		127013	.. Rivet, Al .187 Dia X .063–.125 Grip Blk Blind Dome	2
.. 8		263090	.. Bushing, Strain Relief .490/.785 ID x 1.326 Mtg Hole (CE)	1
.. 9		137761	.. Nut, 750 Npt 1.31Hex .27H Nyl Blk	1
.. 10		277568	.. Nameplate, Ident Rear	1
.. 11		217297	.. Cover, Receptacle Weatherproof Duplex Rcpt	1
.. 12		279484	.. Label, Warning Incorrect Connections	1
.. 12		219842	.. Label, Warning Input Connections/Electric Shock (CE)	1
.. 13	S1	246846	.. Switch, Tgl Assy (Includes)	1
		249816	.. Switch, Tgl 3 Pst 85A 600VAC Scr Term Wide Tgl	1
.. 13	S1	244920	.. Switch, Tgl 3Pst 40A 600VAC Scr Term Wide Tgl (CE)	1
.. 14	CR1	206258	.. Relay, Encl 24VDC Spst 30A/240VAC 4Pin Flange Mtg	1
.. 15		278019	.. Gasket, EMI 10 MM X 20 MM X 25.4 MM	1

+When ordering a component originally displaying a precautionary label, the label should also be ordered.

**To maintain the factory original performance of your equipment, use only Manufacturer's Suggested Replacement Parts. Model and serial number required when ordering parts from your local distributor.**



☞ Hardware is common and not available unless listed.




805584-A

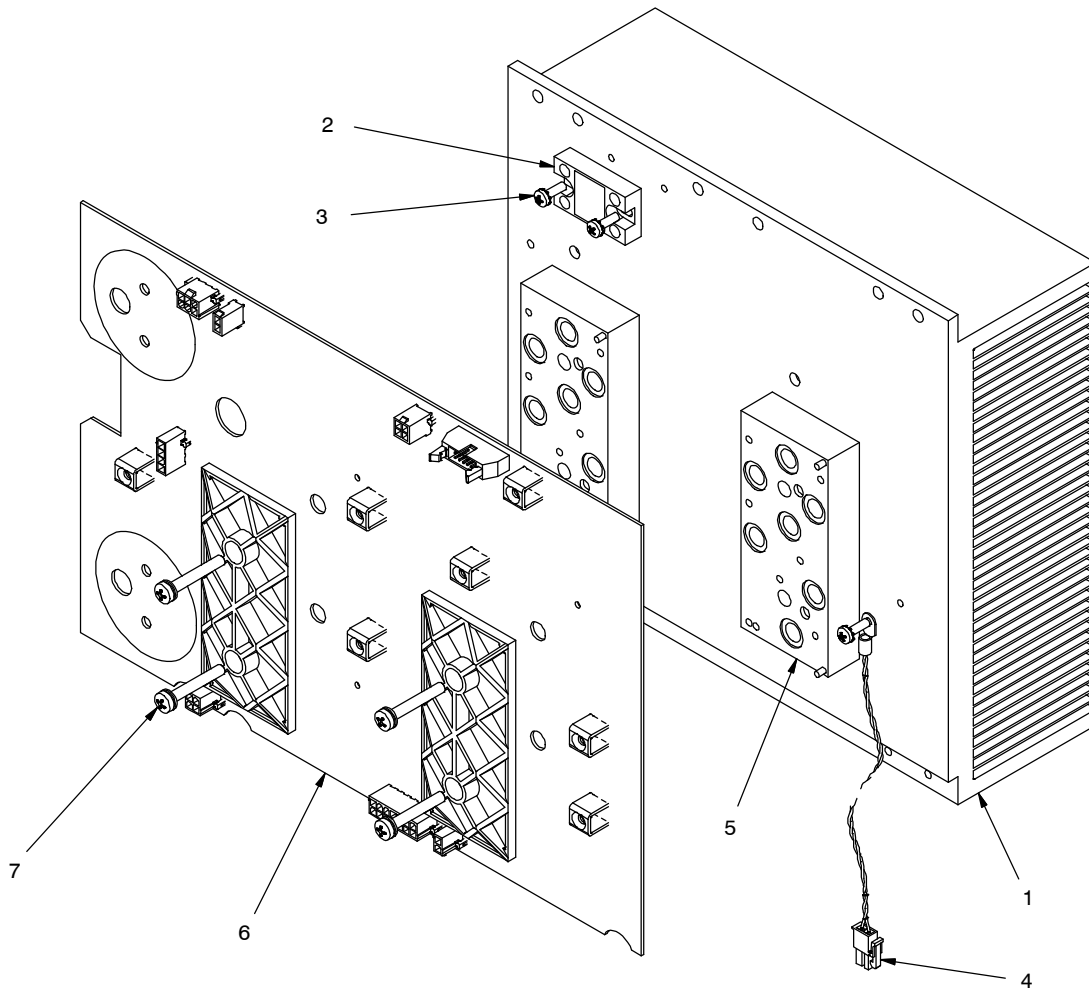
**Figure 16-4. Wind Tunnel, Right Hand w/Components**

Item No.	Dia. Mkgs.	Part No.	Description	Quantity
<b>274987 Figure 16-4. Wind Tunnel, Right Hand w/Components</b>				
.. 1	L11	276208	Inductor, Input	1
.. 2	T2	242782	XFMR, HF Coupling	1
.. 3		+274959	Panel, Right Windtunnel	1
.. 4		216861	Stand-Off, Capacitor	2
.. 5		170647	Bushing, Snap-In Nyl 1.312 ID X 1.500 Mtg Hole	1
.. 6		216860	Grommet, Capacitor	2
.. 7	C4,C20	245614	Capacitor, Elctlt 1800 Uf 500 VDC Can 2.52 Dia	2
.. 8		207418	Screw, K40x 20 Pan Hd-Phl Stl Pld Pt Thread Forming	2
.. 9	C11	216700	Capacitor, Polyp Met Film 16. UF 400 VAC 10%	1
.. 10		218004	Label, Warning Electric Shock/Exploding Parts	1
.. 10		219844	Label, Warning Electric Shock/Exploding Parts-Wdles (CE)	1
.. 11		010493	Bushing, Snap-In Nyl .625 ID X .875 Mtg Hole	1
.. 12		218566	Gasket, Inductor Mounting	1
.. 13	L12	213348	Coil, Inductor (Pre-Regulator)	1
.. 14		233913	Screw, 250- X .50 Hexwhd T-25 T/C SC ZC	6
.. 15	PC4	247046	Circuit Card, HF	1

+When ordering a component originally displaying a precautionary label, the label should also be ordered.

**To maintain the factory original performance of your equipment, use only Manufacturer's Suggested Replacement Parts. Model and serial number required when ordering parts from your local distributor.**

 Hardware is common and not available unless listed.



805585-A

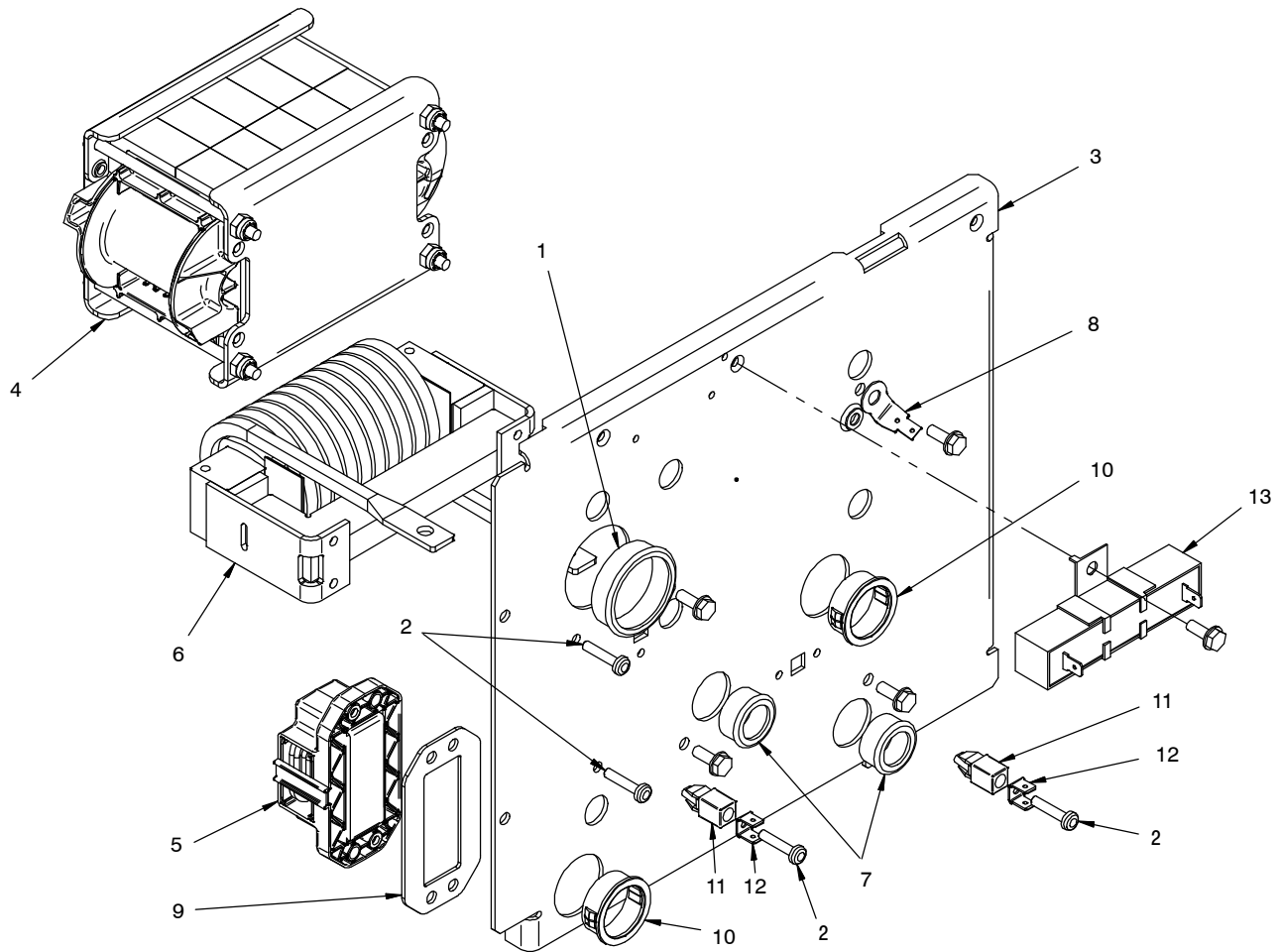
**Figure 16-5. Heat Sink, Primary Assembly**

Item No.	Dia. Mkgs.	Part No.	Description	Quantity
<b>274988 Figure 16-5. Heat Sink, Primary Assembly</b>				
.. 1 .....		213346 ..	Heat Sink, Power Module .....	1
.. 2 .....	RM1 .....	205751 ..	Module, Power Resistor W/Plug .....	1
.. 3 .....		207451 ..	Screw, 008-32 x .50 Pan Hd-Phl Stl Pld Sems .....	3
.. 4 .....	RT11 .....	213353 ..	Thermistor, Ntc 30k Ohm @ 25 Deg C 8in. Lead .....	1
.. 5 .....	MOD1,2 .....	261556 ..	Kit, Input/Pre-Regulator And Inverter Module .....	1
.. 6 .....	PC1 .....	276658 ..	Circuit Card Assy, Power Interconnect .....	1
.....	PLG1 .....	131054 ..	Housing Plug+Skts, (Service Kit) .....	1
.....	PLG3 .....	158719 ..	Housing Rcpt+Skts, (Service Kit) .....	1
.....	PLG4 .....	115093 ..	Housing Plug+Skts, (Service Kit) .....	1
.....	PLG6 .....	131056 ..	Housing Rcpt+Skts, (Service Kit) .....	1
.....	PLG7 .....	115094 ..	Housing Rcpt+Skts, (Service Kit) .....	1
.. 7 .....		229334 ..	Screw, M 5- .8x 35 Pan Hd-Phl Stl Pld Sems .....	4

+When ordering a component originally displaying a precautionary label, the label should also be ordered.

**To maintain the factory original performance of your equipment, use only Manufacturer's Suggested Replacement Parts. Model and serial number required when ordering parts from your local distributor.**

☞ Hardware is common and not available unless listed.



805586-A

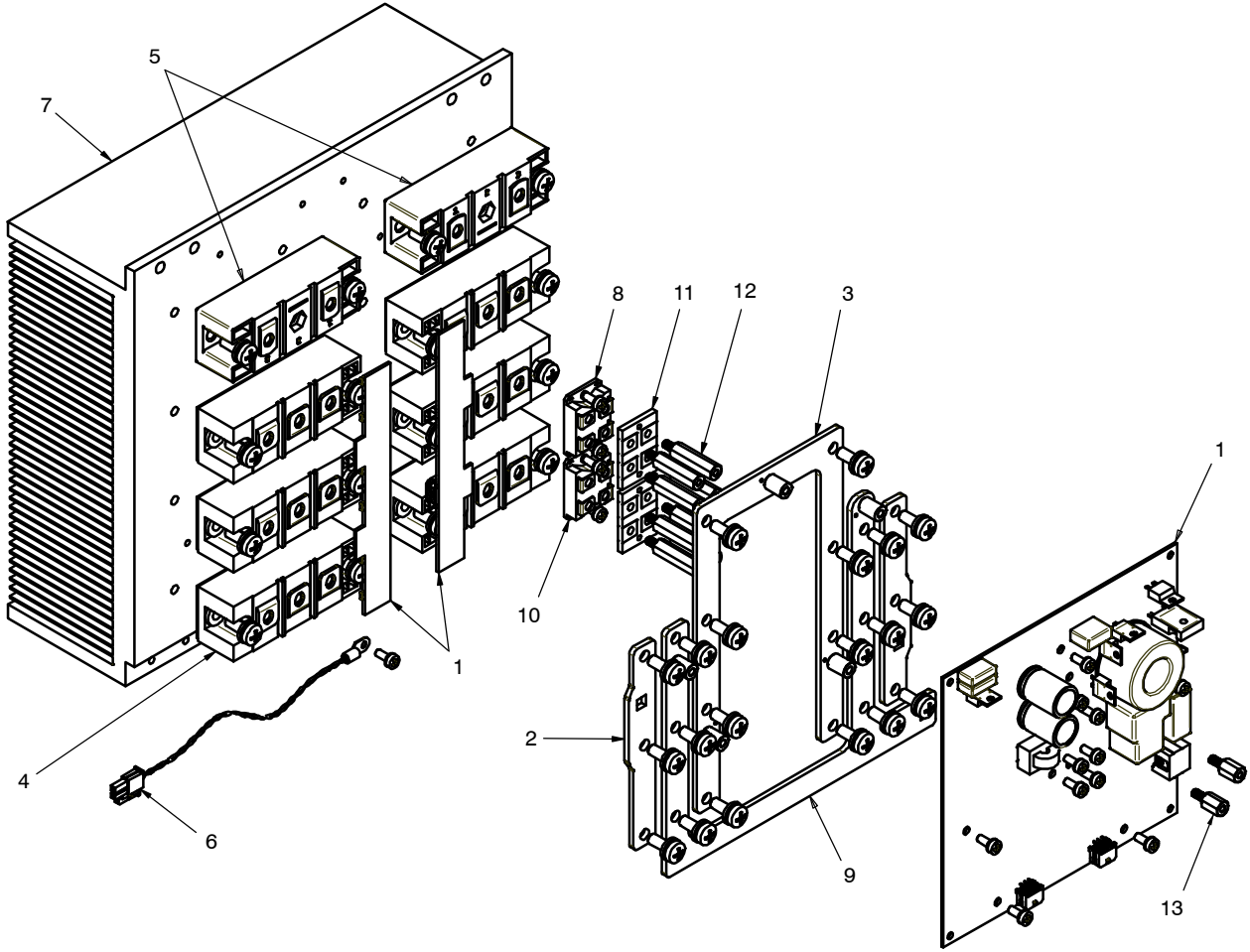
**Figure 16-6. Wind Tunnel, Left Hand w/Components**

Item No.	Dia. Mkgs.	Part No.	Description	Quantity
<b>274756 Figure 16-6. Wind Tunnel, Left Hand w/Components</b>				
.. 1 .....		170647 ..	Bushing, Snap-In Nyl 1.312 ID X 1.500 Mtg Hole .....	1
.. 2 .....		207418 ..	Screw, K40 x 12 Pan Hd-Phl Stl Pld Pt Thread Forming .....	2
.. 3 .....		274960 ..	Panel, Left Windtunnel .....	1
.. 4 .....	T1	274757 ..	XFMR, Hf Litz/Litz W/Boost .....	1
.. 5 .....	L22	275390 ..	Coil, Inductor (Boost) .....	1
.. 6 .....	L21	213356 ..	Output Inductor Assy .....	1
.. 7 .....		010493 ..	Bushing, Snap-In Nyl .625 ID X .875 Mtg Hole .....	2
.. 8 .....		231208 ..	Connector, Rectifier .....	1
.. 9 .....		227746 ..	Gasket, Inductor Mounting E55 Ferrite Core .....	1
.. 10 .....		057357 ..	Bushing, Snap-In Nyl .937 ID X 1.125 Mtg Hole .....	2
.. 11 .....		083147 ..	Grommet, Scr No 8/10 Panel Hole .312 Sq .500 High .....	2
.. 12 .....		600760 ..	Term, Frict 250x032 Uninsul Male .130 Stud Mtg 1pr .....	2
.. 13 .....	R21	275003 ..	Resistor, WW Fxd 50 W 10 Ohm 5% W/Ter (Dynasty Only) .....	1

+When ordering a component originally displaying a precautionary label, the label should also be ordered.

**To maintain the factory original performance of your equipment, use only Manufacturer's Suggested Replacement Parts. Model and serial number required when ordering parts from your local distributor.**

Hardware is common and not available unless listed.



805587-A

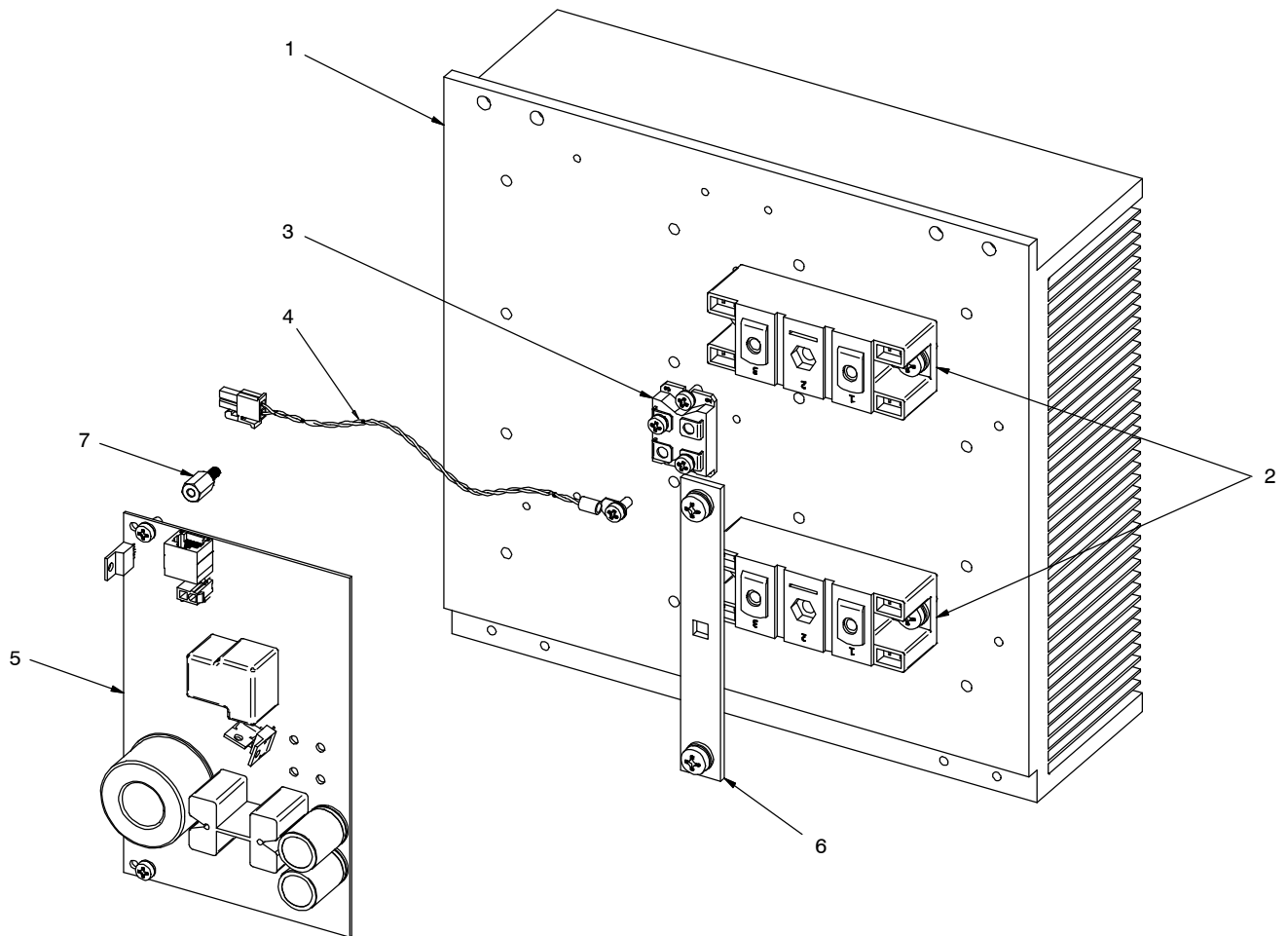
Figure 16-7. Heat Sink, Secondary – Dynasty 800

Item No.	Dia. Mkgs.	Part No.	Description	Quantity
<b>274754 Figure 16-7. Heat Sink, Secondary – Dynasty 800</b>				
.. 1	PC5	273440	.. Circuit Card Assy, Secondary	1
..	RC3	131054	.. Housing Rcpt+Skts, (Service Kit)	1
.. 2		213517	.. Bus Bar, Output	2
.. 3		274084	.. Bus Bar, Positive	1
.. 4	PM21-23 & PM26-28	213522	.. Kit, IGBT (Consists Of 3 IGBTs)	2
.. 5	D21,D22	213521	.. Kit, Ultra Fast Diode	2
.. 6	RT21	213353	.. Thermistor, Ntc 30k Ohm @ 25 Deg C 8in. Lead	1
.. 7		274755	.. Heat Sink, Power Module	1
.. 8	D23	201530	.. Kit, Diode Fast Recovery Bridge	1
.. 9		274085	.. Bus Bar, Negative	1
.. 10	PM25	259420	.. Kit, IGBT	1
.. 11		250831	.. Spacer, PWB	2
.. 12		274924	.. Stand-Off, M4x0.7 X 30mm	8
.. 13		276732	.. Stand-Off, M4x12mm	2

+When ordering a component originally displaying a precautionary label, the label should also be ordered.

**To maintain the factory original performance of your equipment, use only Manufacturer's Suggested Replacement Parts. Model and serial number required when ordering parts from your local distributor.**

☞ Hardware is common and not available unless listed.



805588-A

**Figure 16-8. Heat Sink, Secondary – Maxstar 800**

Item No.	Dia. Mkgs.	Part No.	Description	Quantity
<b>275860 Figure 16-8. Heat Sink, Secondary – Maxstar 800</b>				
.. 1 .....		274755 ..	Heat Sink, Power Module .....	1
.. 2 ..	D21, D22	213521 ..	Kit, Ultra Fast Diode .....	2
.. 3 .....	D23	201530 ..	Kit, Diode Power Module .....	1
.. 4 .....	RT21	213353 ..	Thermistor, Ntc 30K Ohm @ 25 Deg C 8in. Lead .....	1
.. 5 .....	PC5	275540 ..	Circuit Card Assy, Secondary .....	1
.....	RC3	131054 ..	Housing Rcpt+Skts, (Service Kit) .....	1
.. 6 .....		213519 ..	Bus Bar .....	1
.. 7 .....		276732 ..	Standoff, M4x12mm .....	2

+When ordering a component originally displaying a precautionary label, the label should also be ordered.

**To maintain the factory original performance of your equipment, use only Manufacturer's Suggested Replacement Parts. Model and serial number required when ordering parts from your local distributor.**