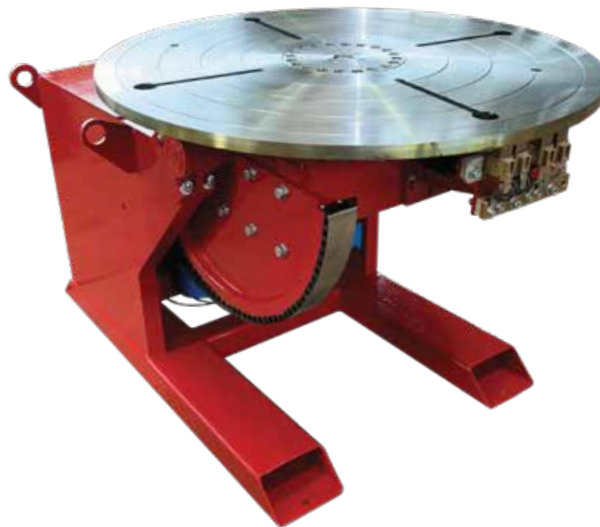


## VP TILTING POSITIONERS

## LCVP RANGE



\*For Purchase Only

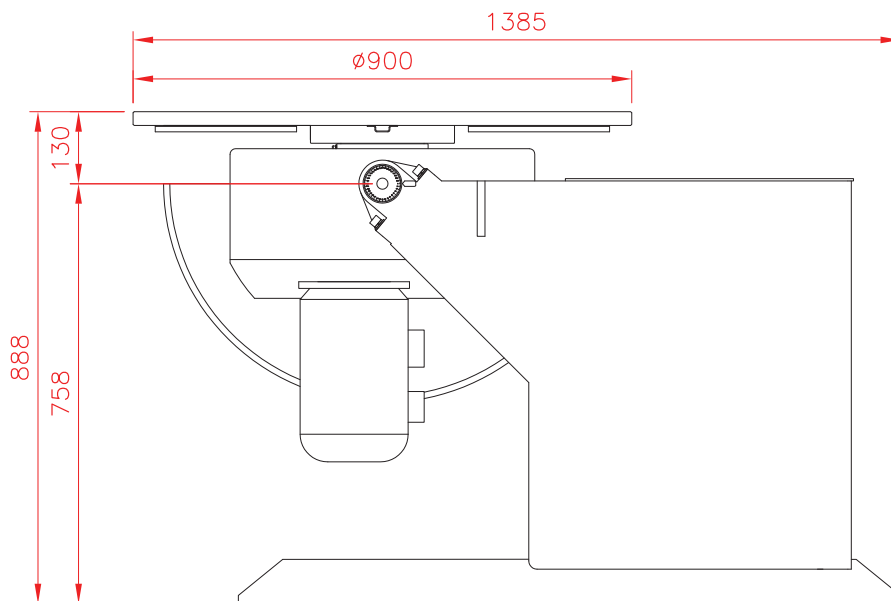
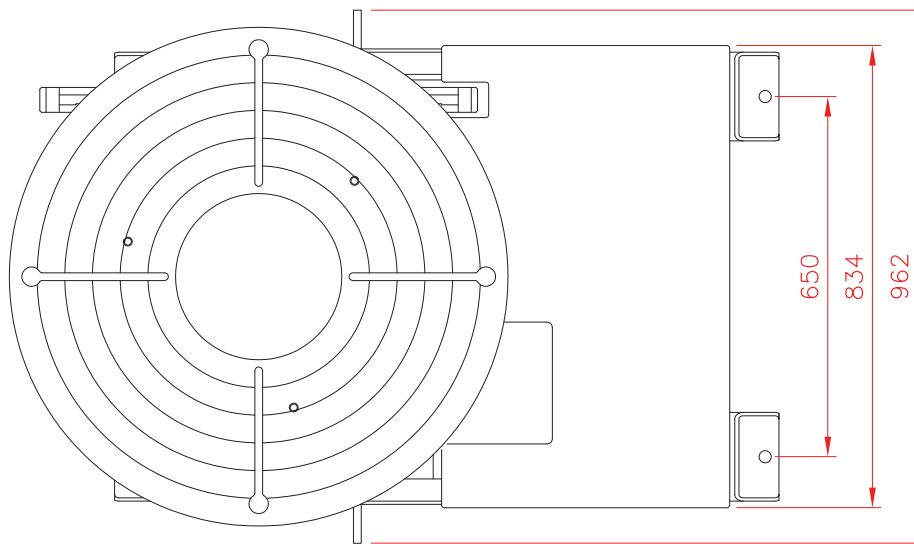
The perfect automated solution for lifting, tilting and rotating workpieces of various capacities, shapes and sizes 360 degrees. Our cost-effective, robust and reliable LCVP range of positioners are designed to significantly increase the quality and consistency of your weld, by hand and automation.

SPECIFICATION	RDA LC VP1 CE	RDA LC VP3 CE	RDA LC VP5 CE
	1 Tonne	3 Tonne	5 Tonne
Safe Working Load	1,000kg	3,000kg	5,000kg
Centre of Gravity & Eccentricity (C of G & Ecc)	300mm / 100mm	300mm / 150mm	300mm / 200mm
Degree of Tilt	135°	135°	135°
Degree of Rotation	360°	360°	360°
Tilting Speed	60 secs	100 secs	100 secs
Rotation Speed	0.1 - 1.2 rpm	0.1 - 1 rpm	0.1 - 1 rpm
Height to Table Horizontal	888mm	1070mm	1185mm
Height to Table Vertical CL	758mm	925mm	960mm
Table Dimensions	900mm	1200mm	1500mm
Table Type	Round	Round	Round
Table Slots	4 x 18mm (M16)	4 x 22mm (M20)	4 x 22mm (M20)
Earthing	800 amps	800 amps	800 amps
Control Pendant	Yes	Yes	Yes
Incoming Supply	380/480V - 16 amp	380/480V - 16 amp	380/480V - 16 amp
Weight	650kg	1,250kg	3,000kg
Foot Print (L x W x H)	1400mm x 970mm x 900mm	1700mm x 1070mm x 1100mm	2200mm x 1780mm x 1190mm

VP TILTING POSITIONERS

LCVP RANGE

RDA LC VP1 CE

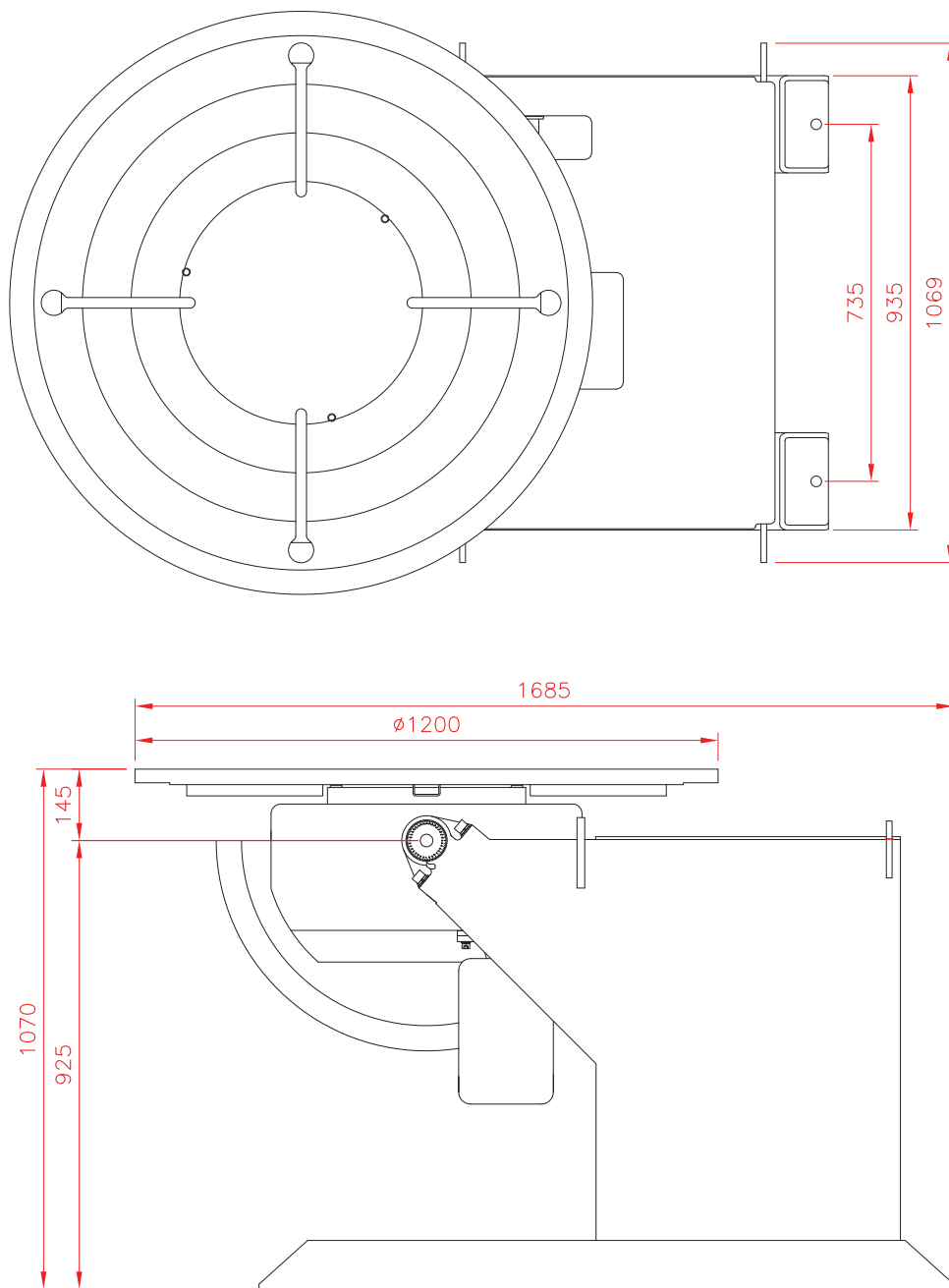


\*For Purchase Only

## VP TILTING POSITIONERS

## LCVP RANGE

RDA LC VP3 CE

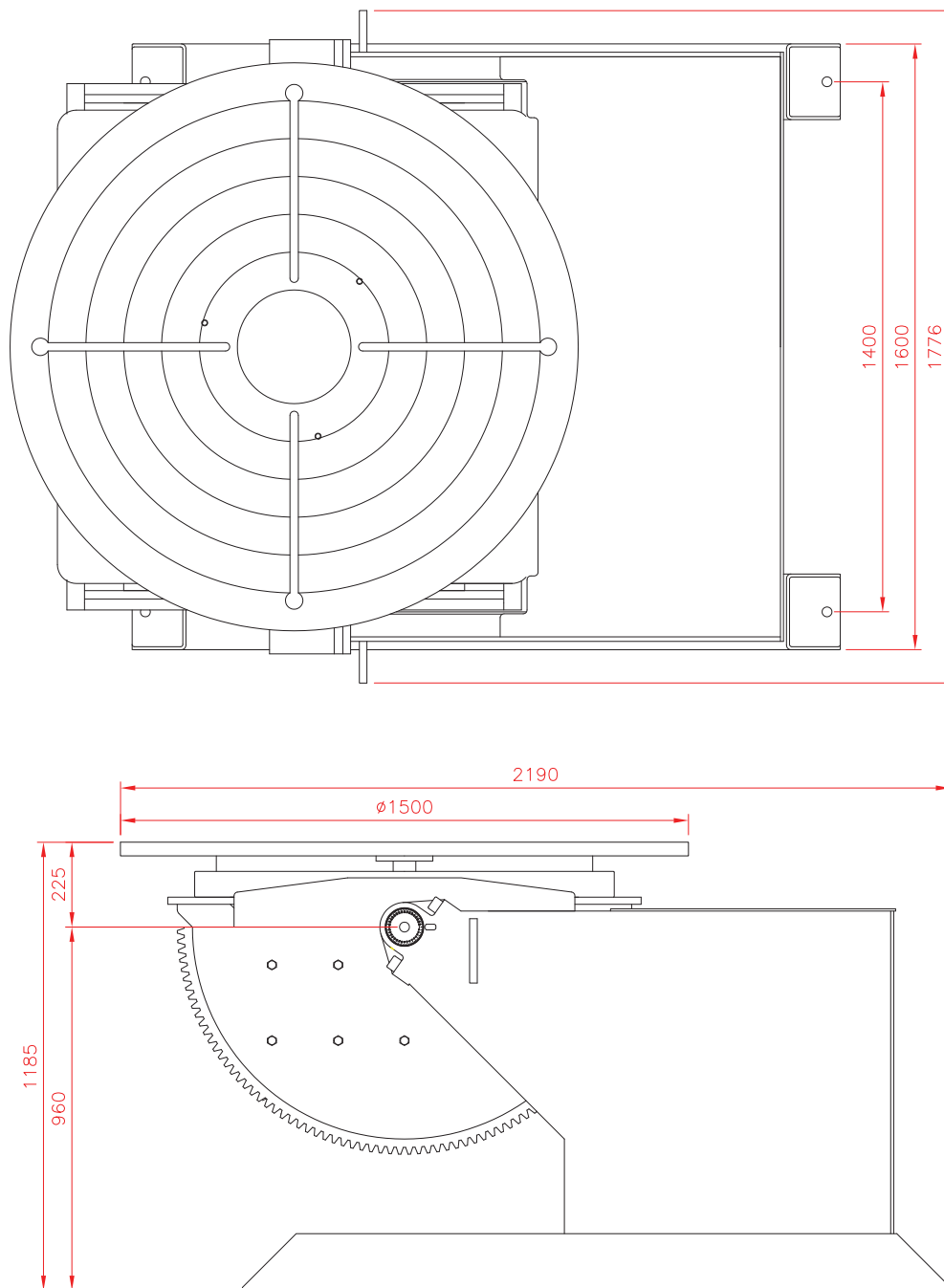


\*For Purchase Only

## VP TILTING POSITIONERS

## LCVP RANGE

RDA LC VP5 CE



\*For Purchase Only