



NIGHT LITE PRO II PARTS BOOK

INCLUDING
AS3000 AUSTRALIAN SPEC
&
CE SPEC

ALLMAND BROTHERS INC.
P.O. BOX 888
HOLDREGE, NE 68949

PHONE: (308) 995- 4495, 1- 800- 562- 1373
ALLMAND FAX: (308) 995- 5887
ALLMAND PARTS DEPT. FAX : (308) 995- 4883

www.allmand.com

PART NO. 103402 REVISED FEBUARY 2012



NIGHT LITE PRO II

RECORD IMPORTANT INFORMATION

Recording the equipment information will help, when placing an order for replacement parts and/ or decals.

Company Equipment No: _____

Unit model No: _____

Unit Vin: _____

Engine Model No: _____ **Serial No:** _____

Generator Model No: _____ **Serial No:** _____

Accessories: _____

⚠ WARNING
CALIFORNIA PROPOSITION 65
Diesel engine exhaust and some of its constituents are known to the State of California to cause cancer, birth defects, and other reproductive harm.

⚠ WARNING
CALIFORNIA PROPOSITION 65
Battery post, terminals, and related accessories contain lead and lead compounds, chemicals known to the State of California to cause cancer and reproductive harm.
Wash hand after handling.

TABLE OF CONTENTS

SHO LAMP 1000W	7
SHO LAMP 1250W	8
SHO LAMP HOLDER	9
SHO LAMP ASSEMBLIES	10
LIGHT BAR MANUAL WINCH TOWER	11
2 5/8" ROUND & 3" TOWER SECTIONS	12
4" TOWER SECTION - LAYDOWN	13
INSTRUCTIONS FOR REPLACING CABLES - MANUAL TOWER	14
PIVOT SECTION MANUAL WINCH TOWER (NEW)	15
PIVOT SECTION MANUAL WINCH TOWER (OLD)	16
PEDESTAL MANUAL WINCH TOWER (NEW)	17
PEDESTAL MANUAL WINCH TOWER (OLD)	18
MANUAL WINCH - NON-CONTAINMENT TRAY	19
MANUAL WINCH - CONTAINMENT TRAY	20
ROTATIONAL LIGHT BAR - VERTICAL TOWER	21
SECTION 6 VERTICAL TOWER	22
SECTION 5 VERTICAL TOWER	23
SECTION 4 VERTICAL TOWER	24
SECTION 3 VERTICAL TOWER	25
SECTION 2 VERTICAL TOWER	26
SECTION 2 VERTICAL TOWER	27
INSTRUCTIONS FOR REPLACING STEEL CABLES - VERTICAL TOWER	28
INSTRUCTIONS FOR REPLACING STEEL CABLES - VERTICAL TOWER	29
NYCOIL VERTICAL TOWER	30
SECTION 1 VERTICAL TOWER CORD REEL	31
SECTION 2 VERTICAL TOWER CORD REEL	32
SECTION 4 VERTICAL TOWER CORD REEL	33
SECTION 6 VERTICAL TOWER CORD REEL	34

TABLE OF CONTENTS

ROTATIONAL LIGHT BAR VERTICAL TOWER CORD REEL	35
VERTICAL TOWER CORD REEL	36
VERTICAL TOWER PEDESTAL	37
1250W - 60Hz BALLAST	38
1000W - 60Hz BALLAST	39
1000W - 50Hz BALLAST	40
AXLE	41
FRAME	42
FRAME - CE SPEC	43
TONGUE	44
OUTRIGGERS	45
CONTAINMENT TRAY (OPTION)	46
ENGINE RAILS - NON CONTAINMENT TRAY	47
CONTAINMENT TRAY ENGINE PAN	48
KOHLER ENGINE	49
CAT ENGINE	50
KUBOTA ENGINE	51
MARATHON GENERATOR	52
MECC ALTE GENERATOR	53
KOHLER CONTROL PANEL (NEW)	54
AS3000 KOHLER CONTROL PANEL- AUSTRALIAN SPEC	55
KOHLER CONTROL PANEL (OLD)	56
CAT CONTROL PANEL (NEW)	57
AS3000 CAT CONTROL PANEL - AUSTRALIAN SPEC	58
CAT CONTROL PANEL (OLD)	59
KUBOTA KEYED CONTROL PANEL (NEW)	60
AS3000 KUBOTA KEYED CONTROL PANEL - AUSTRALIAN SPEC	61
KUBOTA KEYED CONTROL PANEL (OLD)	62

TABLE OF CONTENTS

KUBOTA DEEP SEA CONTROL PANEL (NEW)	63
CE SPEC KUBOTA DEEP SEA CONTROL PANEL	64
LSC CONTROL PANEL	65
CONTROL BOX (NEW)	66
LSC CONTROL BRACKET	67
LSC PHOTO CELL AND COMPONENTS	68
OUTLET PANEL (OLD)	69
OUTLET BOX MOUNT (OLD)	7071
FUEL TANK	72
RIGHT INNER FENDER (NEW LAYDOWN)	73
RIGHT INNER FENDER (NEW VERTICAL)	74
RIGHT INNER FENDER (OLD LAYDOWN)	75
LEFT INNER FENDER (NEW LAYDOWN)	76
LEFT INNER FENDER (NEW VERTICAL)	78
LEFT INNER FENDER (OLD LAYDOWN)	79
REAR PANEL	80
AS3000 REAR PANEL - AUSTRALIAN SPEC	81
LAYDOWN TOWER STRINGER	82
REAR TOWER SUPPORT	83
VERTICAL TOWER STRINGER	84
LIFT BAR	85
LEFT DOOR	86
INSIDE LEFT DOOR VIEW VERTICAL TOWER	87
INSIDE LEFT DOOR VIEW LAYDOWN TOWER	88
RIGHT DOOR	89
SOUND ATTENUATION PACKAGE (OPTION)	90
BATTERY	91
MARKER LIGHTS	92

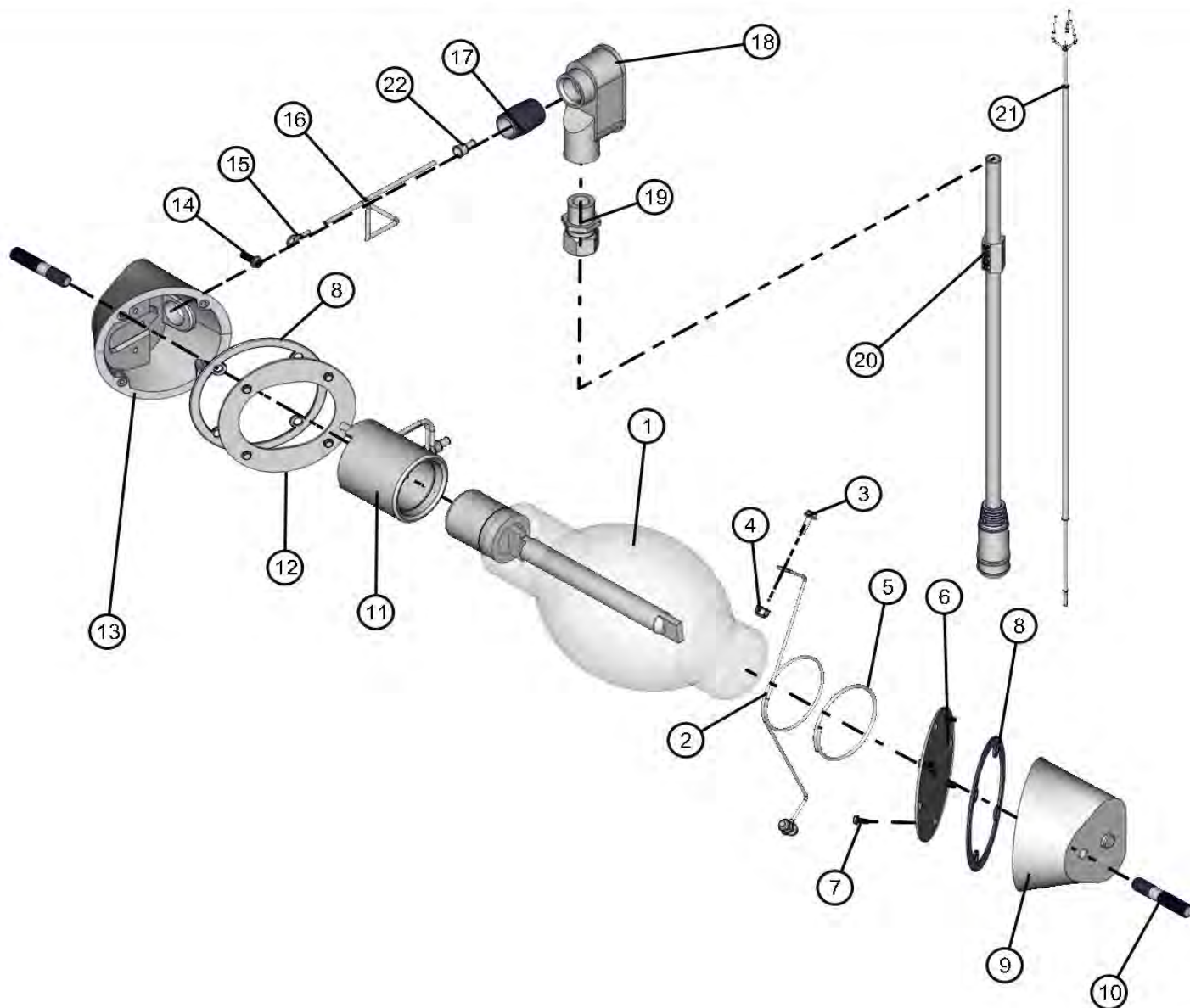
TABLE OF CONTENTS

AS3000 TAIL LIGHTS - AUSTRALIAN SPEC

93

1000W SHO LAMP NIGHT LITE PRO II

2/9/2012



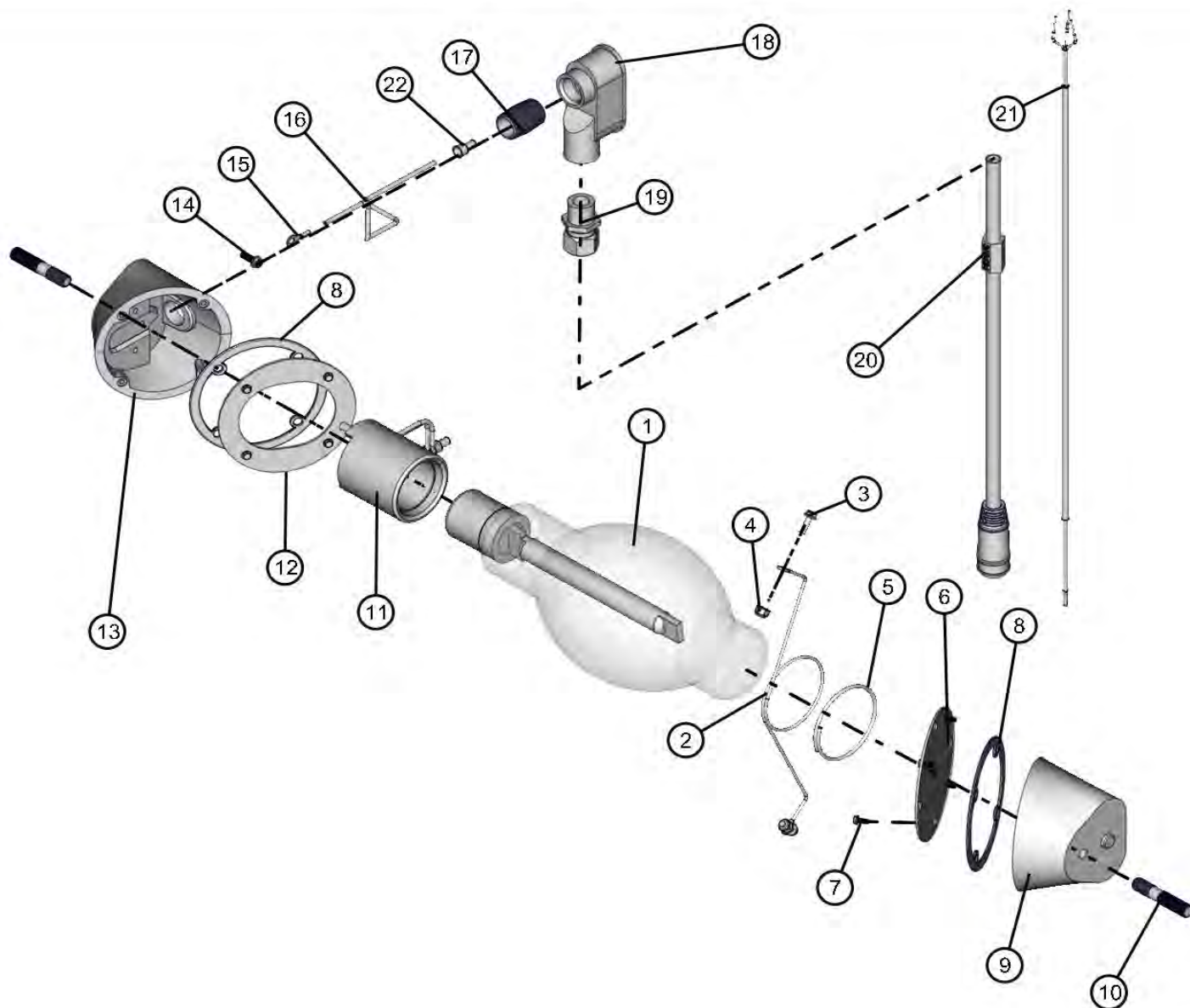
NO	QTY	PARTNO	DESCRIPTION
1	1	610211	LAMP 1000W BT37 (MH)
2	1	610209	LAMP TIP SUPPORT
3	2	041200	#8-32 X 1/2 HEX WASHER HEAD MS INDT
4	2	044013	#8-32 NYLOCK HEX NUT SS
5	1	610210	FIBERGLASS TUBE
6	1	610207	INTERIOR COVER PLATE
7	8	041028	#10-24 X 1/2 HEX WASHER HEAD INDT
8	2	610213	GASKET
9	1	610206	SOCKET END CAP
10	2	045142	3/8-24 X 3/8-16 X 2 STUD
11	1	610212	CERAMIC SOCKET
12	1	610208	INTERIOR COVER PLATE

NO	QTY	PARTNO	DESCRIPTION
13	1	610205	SOCKET END CAP W/ 1/2-14 NPT HOLE
14	1	041257	#10-32 SL-HEX WASHER HEAD MS GRND
15	1	022155	#10 RING
16	1	610219	14 AWG GREEN 6"
17	1	610215	NIPPLE
18	1	610214	ELBOW
19	1	510007	1/2 CORD GRIP
20	1	310434	MALE CONNECTOR CABLE
21	1	650159	16/3 X 68 HARD WIRED LEAD
22	3	022060	WIRE CAP SMALL

NOTE: NS = NOT SHOWN. WHEN ORDERING, SPECIFY THE COLOR WANTED ON PARTS CONTAINING THE LETTER "P"

1250W SHO LAMP NIGHT LITE PRO II

2/9/2012



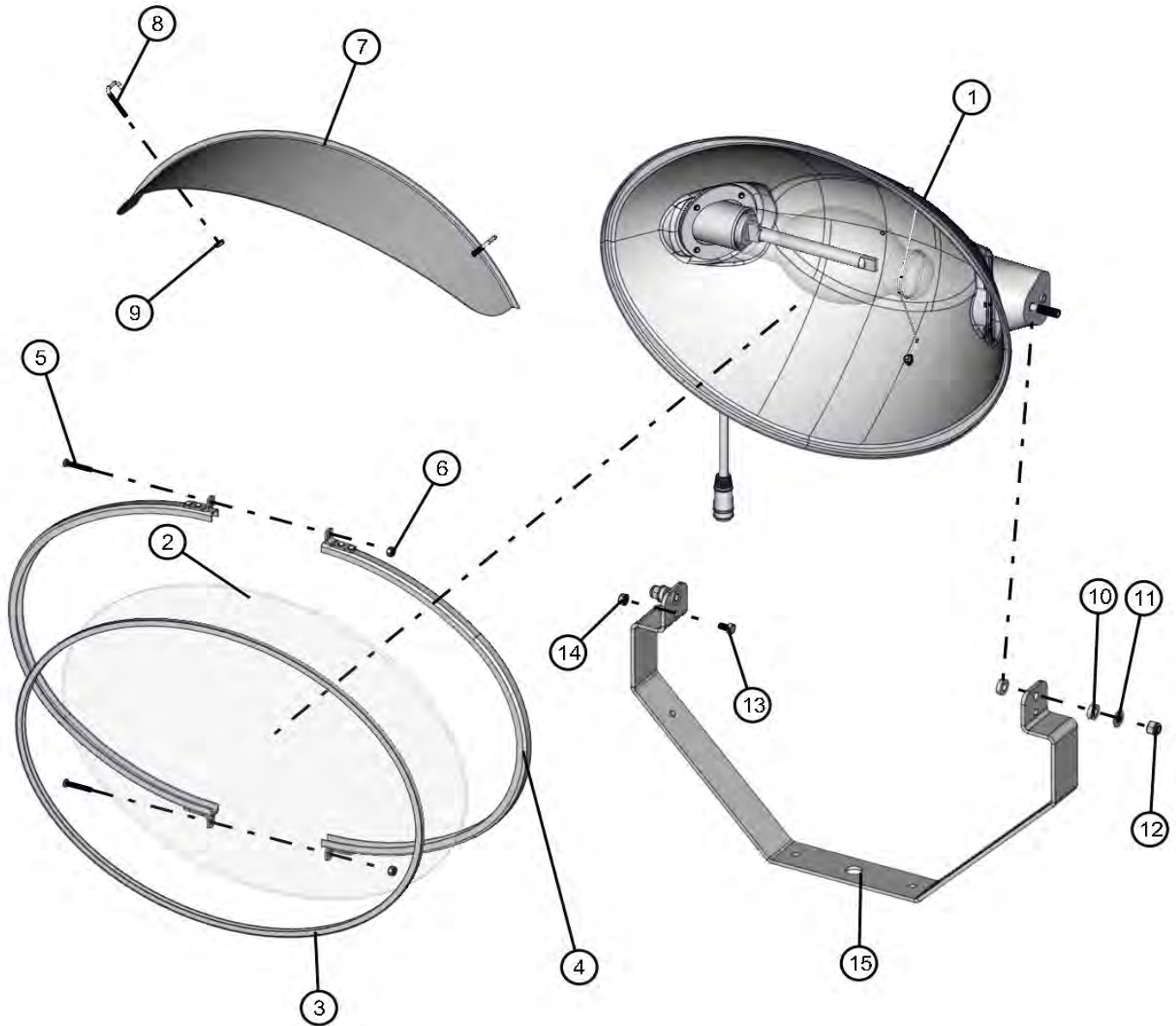
NO	QTY	PARTNO	DESCRIPTION
1	1	610221	LAMP 1250W BT37 (MH)
2	1	610209	LAMP TIP SUPPORT
3	2	041200	#8-32 X 1/2 HEX WASHER HEAD MS INDT
4	2	044013	#8-32 NYLOCK HEX NUT SS
5	1	610210	FIBERGLASS TUBE
6	1	610207	INTERIOR COVER PLATE
7	8	041028	#10-24 X 1/2 HEX WASHER HEAD INDT
8	2	610213	GASKET
9	1	610206	SOCKET END CAP
10	2	045142	3/8-24 X 3/8-16 X 2 STUD
11	1	610212	CERAMIC SOCKET
12	1	610208	INTERIOR COVER PLATE

NO	QTY	PARTNO	DESCRIPTION
13	1	610205	SOCKET END CAP W/ 1/2-14 NPT HOLE
14	1	041257	#10-32 SL-HEX WASHER HEAD MS GRND
15	1	022155	#10 RING
16	1	610219	14 AWG GREEN 6"
17	1	610215	NIPPLE
18	1	610214	ELBOW
19	1	510007	1/2 CORD GRIP
20	1	310434	MALE CONNECTOR CABLE
21	1	650159	16/3 X 68 HARD WIRED LEAD
22	3	022060	WIRE CAP SMALL

NOTE: NS = NOT SHOWN. WHEN ORDERING, SPECIFY THE COLOR WANTED ON PARTS CONTAINING THE LETTER "P"

SHO LAMP HOLDER NIGHT LITE PRO II

2/9/2012



NO	QTY	PARTNO	DESCRIPTION
1	1	610201	REFLECTOR
2	1	610203	GLASS LENS
3	1	610217	SILICONE GASKET
4	2	610202	LENS CHANNEL SET
5	2	041036	#10-24 X 1 1/4 PH-ROUND HEAD MS SS
6	2	044019	#10-24 NYLOC HEX NUT SS
7	1	610017	SAF-T VISOR (OPTION)
8	2	045070	#10-24 HOOK SQ BEND BOLT

NO	QTY	PARTNO	DESCRIPTION
9	2	044016	#10-24 KEPS HEX NUT PL
10	4	047019	3/4 OD X .385 ID NYLON BUSHING
11	2	047016	3/8 FLAT WASHER SAE PL
12	2	044037	3/8-24 NYLOCK HEX NUT PL
13	1	046005	1/4-20 X 1/2 HEX HEAD CS GR5 PL
14	1	044021	1/4-20 KEPS HEX NUT PL
15	1	660130P	YOKE MOUNT

NOTE: NS = NOT SHOWN. WHEN ORDERING, SPECIFY THE COLOR WANTED ON PARTS CONTAINING THE LETTER "P"

SHO LAMP ASSEMBLIES
NIGHT LITE PRO II

2/9/2012

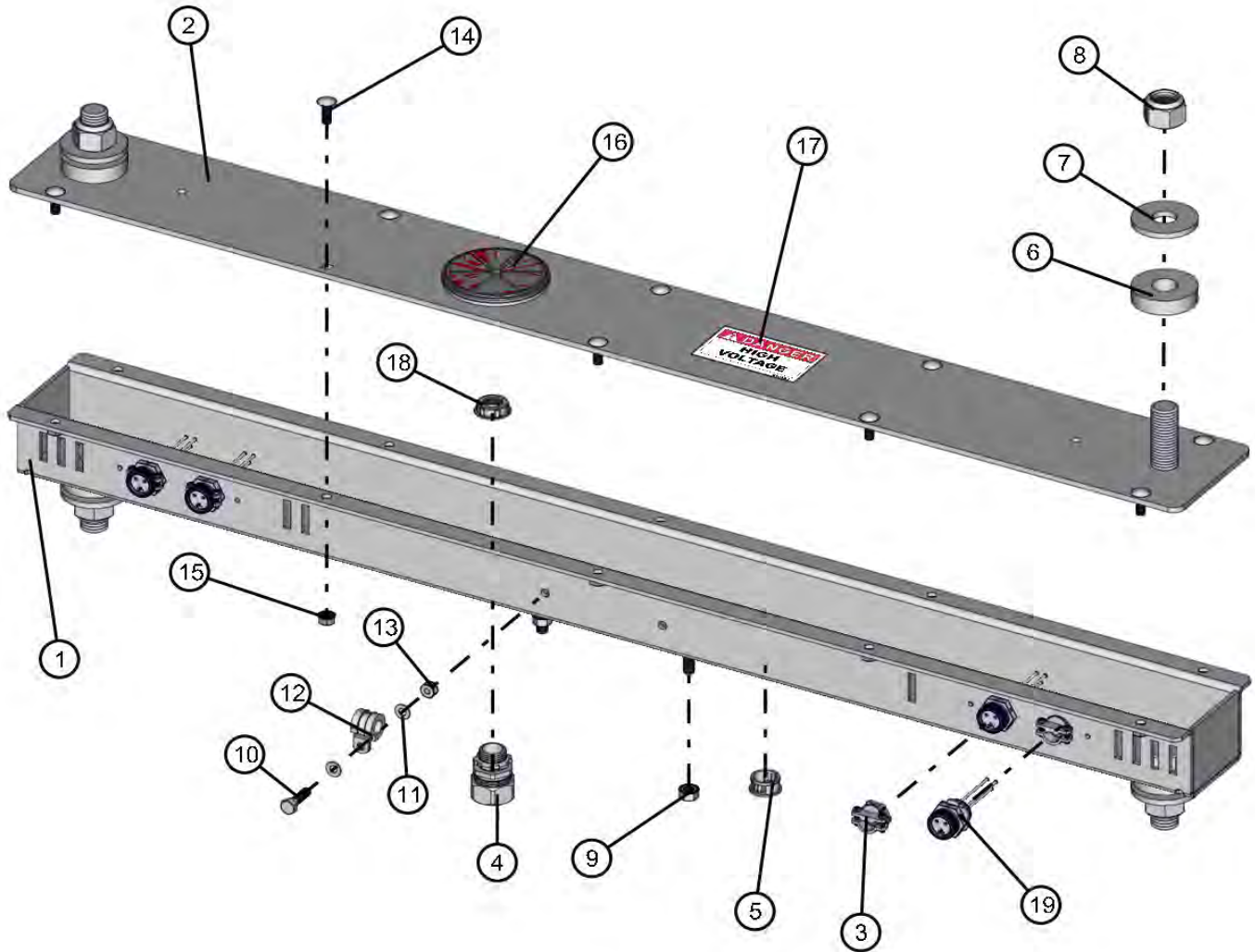
610250 - - LAMPHOLDER ASSY W/ YOKE W/ LAMP (610211) QD LEAD
650144 - - LAMPHOLDER ASSY W/ YOKE W/ LAMP (610211) NO LEAD
610265 - - LAMPHOLDER ASSY W/ YOKE W/ LAMP (610218) QD LEAD
610263 - - LAMPHOLDER ASSY W/ YOKE W/ LAMP (610218) NO LEAD
100632 - - LAMPHOLDER ASSY W/ YOKE W/ LAMP (610221) QD LEAD
100633 - - LAMPHOLDER ASSY W/ YOKE W/ LAMP (610221) NO LEAD

NOTE: NS = NOT SHOWN. WHEN ORDERING, SPECIFY THE COLOR WANTED ON PARTS CONTAINING THE LETTER "P"

LIGHT BAR MANUAL WINCH TOWER

NIGHT LITE PRO II

2/9/2012



NO	Qty	PARTNO	DESCRIPTION
1	1	650319P	FRAME
2	1	620537P	COVER
3	4	022020	2 SCREW CLAMP 3/8
4	1	310033	1/2 CORD GRIP
5	1	711029	7/8 LOCKING HOLE PLUG
6	4	101813	.781 ID x 2 OD x 1/2 HDPE WASHER
7	4	047035	3/4 FLAT WASHER PL
8	4	044121	3/4-10 NYLOCK HEX NUT SS
9	4	044031	5/16 -18 KEPS HEX NUT PL
10	1	046015	1/4-20 X 1 HEX HEAD CS GR5 PL

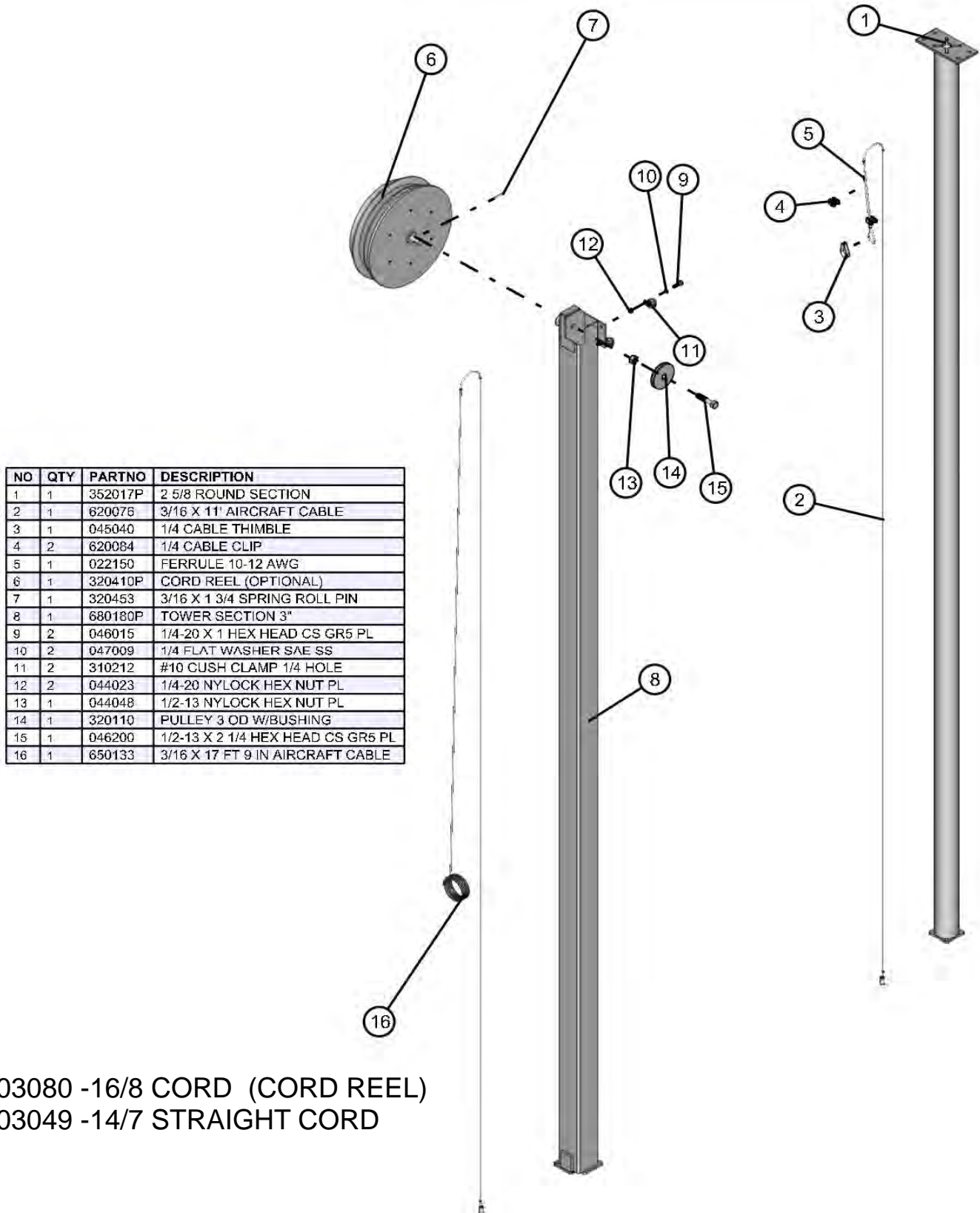
NO	Qty	PARTNO	DESCRIPTION
11	2	047009	1/4 FLAT WASHER SAE SS
12	1	310212	#10 CUSH CLAMP 1/4 HOLE
13	1	044023	NUT NYLOCK 1/4-20 HEX NUT PL
14	10	053006	1/4-20 X 3/4 CARRIAGE BOLT
15	10	044021	1/4-20 KEPS HEX NUT PL
16	1	330037	REFLECTOR RED 3"
17	1	090002	HIGH VOLTAGE DECAL
18	1	022415	1/2 INSULATING BUSHING
19	4	310414	QD CONNECTOR FEMALE (OPTIONAL)

NOTE: NS = NOT SHOWN. WHEN ORDERING, SPECIFY THE COLOR WANTED ON PARTS CONTAINING THE LETTER "P"

2 5/8 ROUND & 3" MANUAL WINCH TOWER SECTIONS

NIGHT LITE PRO II

2/9/2012



NO	QTY	PARTNO	DESCRIPTION
1	1	352017P	2 5/8 ROUND SECTION
2	1	620076	3/16 X 11' AIRCRAFT CABLE
3	1	045040	1/4 CABLE THIMBLE
4	2	620084	1/4 CABLE CLIP
5	1	022150	FERRULE 10-12 AWG
6	1	320410P	CORD REEL (OPTIONAL)
7	1	320453	3/16 X 1 3/4 SPRING ROLL PIN
8	1	680180P	TOWER SECTION 3"
9	2	046015	1/4-20 X 1 HEX HEAD CS GR5 PL
10	2	047009	1/4 FLAT WASHER SAE SS
11	2	310212	#10 CUSH CLAMP 1/4 HOLE
12	2	044023	1/4-20 NYLOCK HEX NUT PL
13	1	044048	1/2-13 NYLOCK HEX NUT PL
14	1	320110	PULLEY 3 OD W/BUSHING
15	1	046200	1/2-13 X 2 1/4 HEX HEAD CS GR5 PL
16	1	650133	3/16 X 17 FT 9 IN AIRCRAFT CABLE

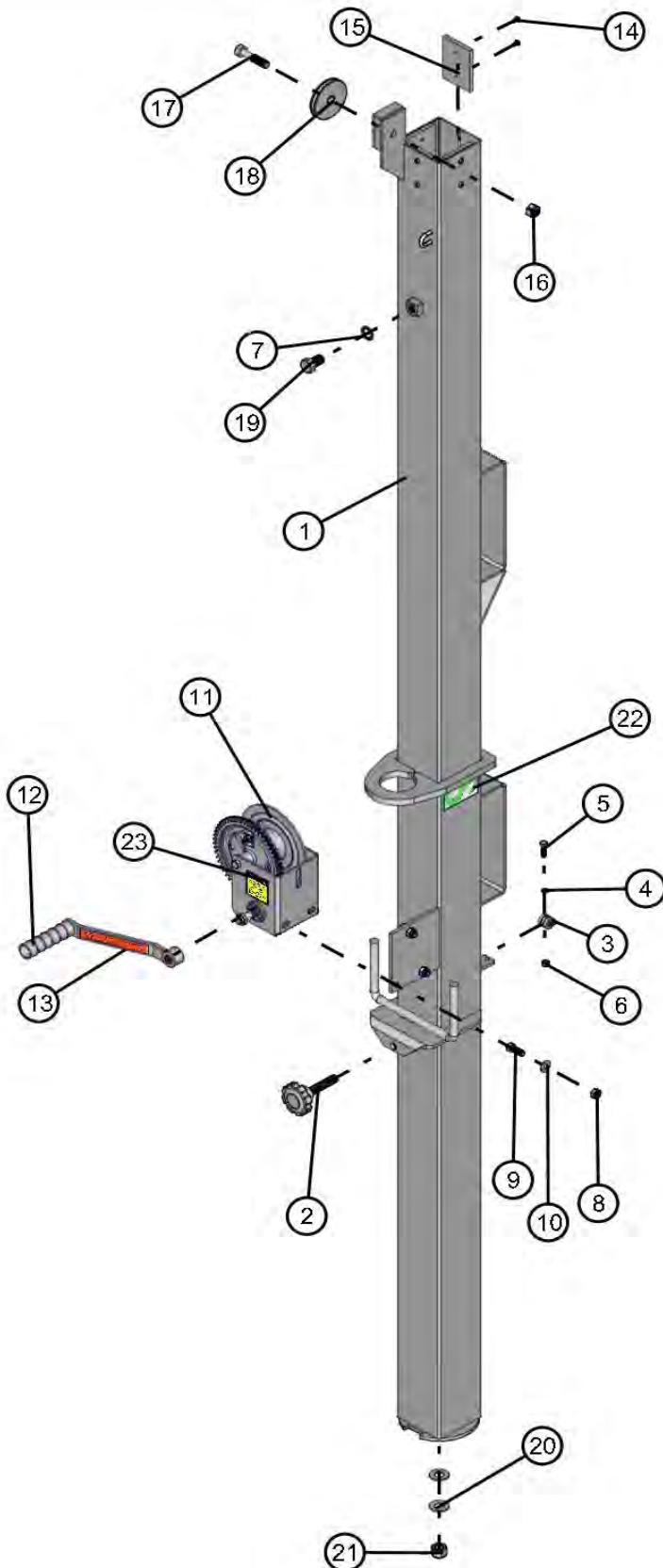
103080 -16/8 CORD (CORD REEL)
 103049 -14/7 STRAIGHT CORD

NOTE: NS = NOT SHOWN. WHEN ORDERING, SPECIFY THE COLOR WANTED ON PARTS CONTAINING THE LETTER "P"

4" TOWER SECTION MANUAL WINCH TOWER

NIGHT LITE PRO II

2/9/2012



NO	QTY	PARTNO	DESCRIPTION
1	1	102943P	4" SECTION
2	1	620550	1/2-13 X 2 1/8 LOCKING KNOB
3	6	310212	#10 CUSH CLAMP 1/4 HOLE
4	6	047009	1/4 FLAT WASHER SAE SS
5	6	046015	1/4-20 X 1 HEX HEAD CS GR5 PL
6	6	044023	1/4-20 NYLOCK HEX NUT PL
7	1	043100	5/8 INTL TOOTH LOCK WASHER PL
8	3	044038	3/8-16 NYLOCK HEX NUT PL
9	3	046110	3/8-16 X 1 HEX HEAD CS GR5 PL
10	3	047010	5/16 FLAT WASHER PL
11	1	610531	DL-1200 LB WINCH
12	1	712032	WINCH HANDLE
13	1	204358C	WINCH ACCIDENT DECAL
14	8	041023	#10 X 3/8 PH-ROUND HEAD MS PL
15	4	650110	5/16 PAD
16	1	044048	1/2-13 NYLOCK HEX NUT PL
17	1	046200	1/2-13 X 2 1/4 HEX HEAD CS GR5 PL
18	1	320110	PULLEY 3 OD W/BUSHING
19	1	046242	5/8-11 X 1 HEX HEAD CS GR5 PL
20	2	047030	5/8 FLAT WASHER PL
21	1	044053	5/8-11 NYLOCK HEX NUT PL
22	2	090136	LIFT POINT DECAL
23	1	090474	WINCH CAUTION DECAL

NOTE: NS = NOT SHOWN. WHEN ORDERING, SPECIFY THE COLOR WANTED ON PARTS CONTAINING THE LETTER "P"

INSTRUCTIONS FOR REPLACING STEEL CABLES

NIGHT LITE PRO II

2/9/2012

MANUAL LAYDOWN TOWER WINCH ONLY

NS	REQ'D	PART NO	DESCRIPTION
	2	620084	WIRE ROPE CLIP 3/16"
	1	045040	WIRE ROPE THIMBLE 1/4"
	1	620076	STEEL CABLE 3/16 X 11'
	1	650133	STEEL CABLE 3/16 X 17'9"
	1	320185	STEEL CABLE 3/16 X 10'

3/16 X 11'

REMOVE THE CUSHION CLAMPS AND MAST WIRING FROM 3" MAST SECTION.
REMOVE THE WIRE ROPE CLIPS AT TOP END OF THE 4" MAST SECTION.
REMOVE THE 3" PULLEY AT THE END OF THE 3" MAST SECTION.
REMOVE THE 2 5/8" ROUND MAST SECTION.
REMOVE ALL THE BROKEN AND FRAYED CABLE.
REPLACE NEW CABLE THROUGH SLOT AND EYELET IN THE ROUND MAST SECTION.
REPLACE 2 5/8" ROUND MAST SECTION IN THE 3" MAST SECTION.
ROUTE CABLE THROUGH PULLEY AND BRACKETS AND INSTALL 3" PULLEY.
WITH ALL SECTIONS PUSHED TOGETHER TIGHT, INSERT CABLE THROUGH HALF-LINK
AND INSTALL WIRE ROPE CLIPS.
REINSTALL CUSHION CLAMPS AND MAST WIRING ON THE 3" MAST SECTION.

3/16 X 17' 9"

REMOVE MAST WIRING FROM BALLAST COMPARTMENT.(SEE ELECTRICAL SCHEMATIC)
REMOVE THE CUSHION CLAMPS AND MAST WIRING FROM 4" MAST SECTION.
REMOVE STOP BOLT AND WASHER.
REMOVE 4 TOWER PADS AND 3" PULLEY AT THE END OF THE 4" MAST SECTION.
REMOVE THE 2 5/8" ROUND AND THE 3" MAST SECTIONS TOGETHER.
REMOVE ALL THE BROKEN AND FRAYED CABLE.
REPLACE NEW CABLE THROUGH SLOT AND EYELET IN THE 3" MAST SECTION AND
THROUGH PULLEY BRACKETS.
REPLACE 2 5/8" ROUND AND 3" MAST SECTIONS.
REPLACE 3" PULLEY AND TOWER PADS.
ATTACH CABLE TO WINCH AND WIND IN A CLOCKWISE DIRECTION UNTILL ALL SLACK
IS OUT.
REPLACE STOP BOLT AND WASHER.
REPLACE CUSHION CLAMPS AND MAST WIRING ON 4" MAST SECTION.
REPLACE MAST WIRING IN BALLAST COMPARTMENT.(SEE ELECTRICAL SCHEMATIC)

3/16 X 10'

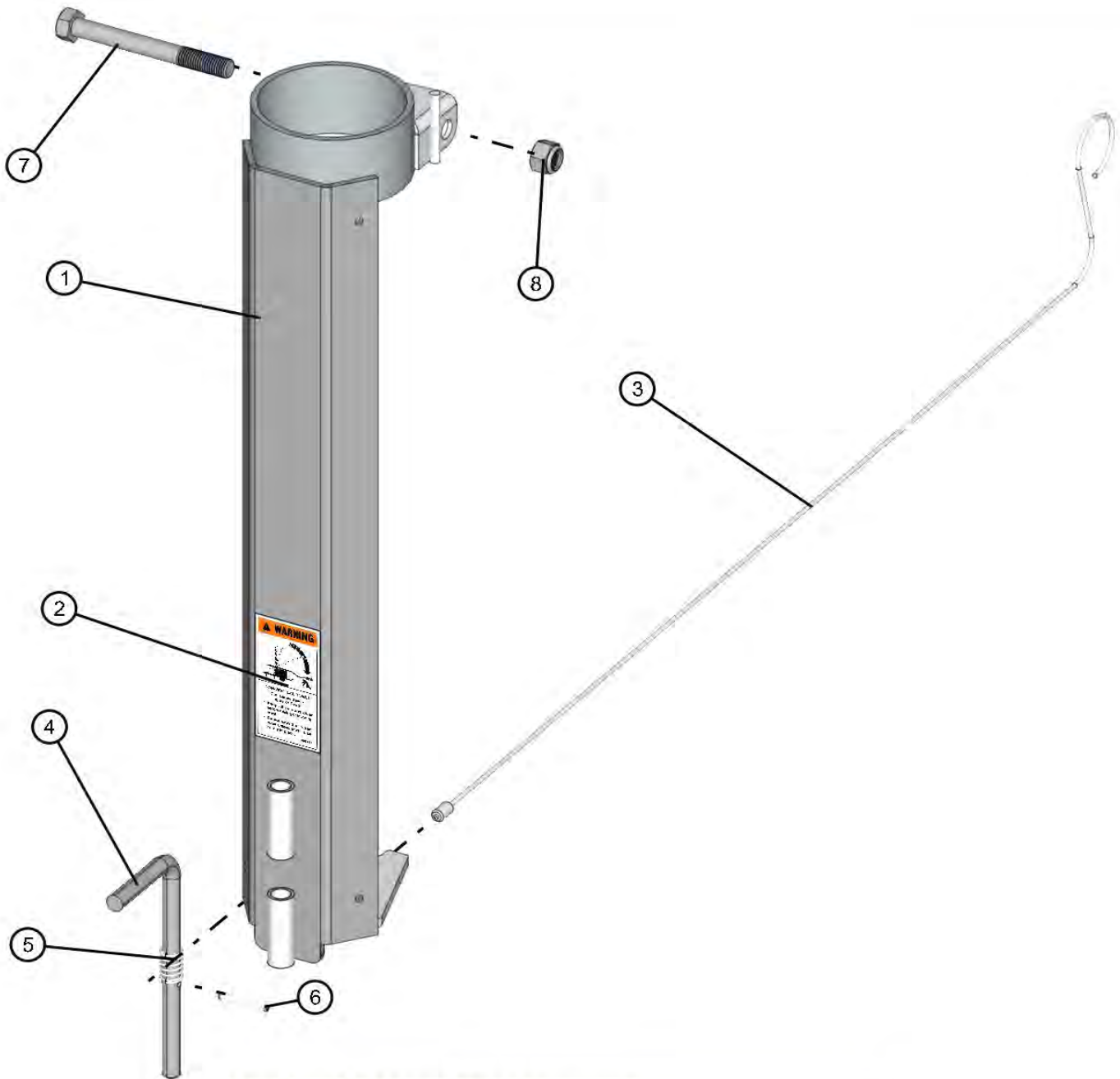
REMOVE ALL BROKEN AND FRAYED CABLE.
FEED NEW CABLE THROUGH EYELET IN MAST PIVOT SECTION.
FEED THROUGH PULLEY BRACKETS AND AROUND PULLEY IN FRONT UPRIGHTS.
ATTACH CABLE TO WINCH AND WIND IN A CLOCKWISE DIRECTION UNTILL ALL SLACK IS
OUT.

NOTE: NS = NOT SHOWN. WHEN ORDERING, SPECIFY THE COLOR WANTED ON PARTS CONTAINING THE LETTER "P"

NEW PIVOT SECTION MANUAL WINCH TOWER (NEW)

NIGHT LITE PRO II

2/9/2012



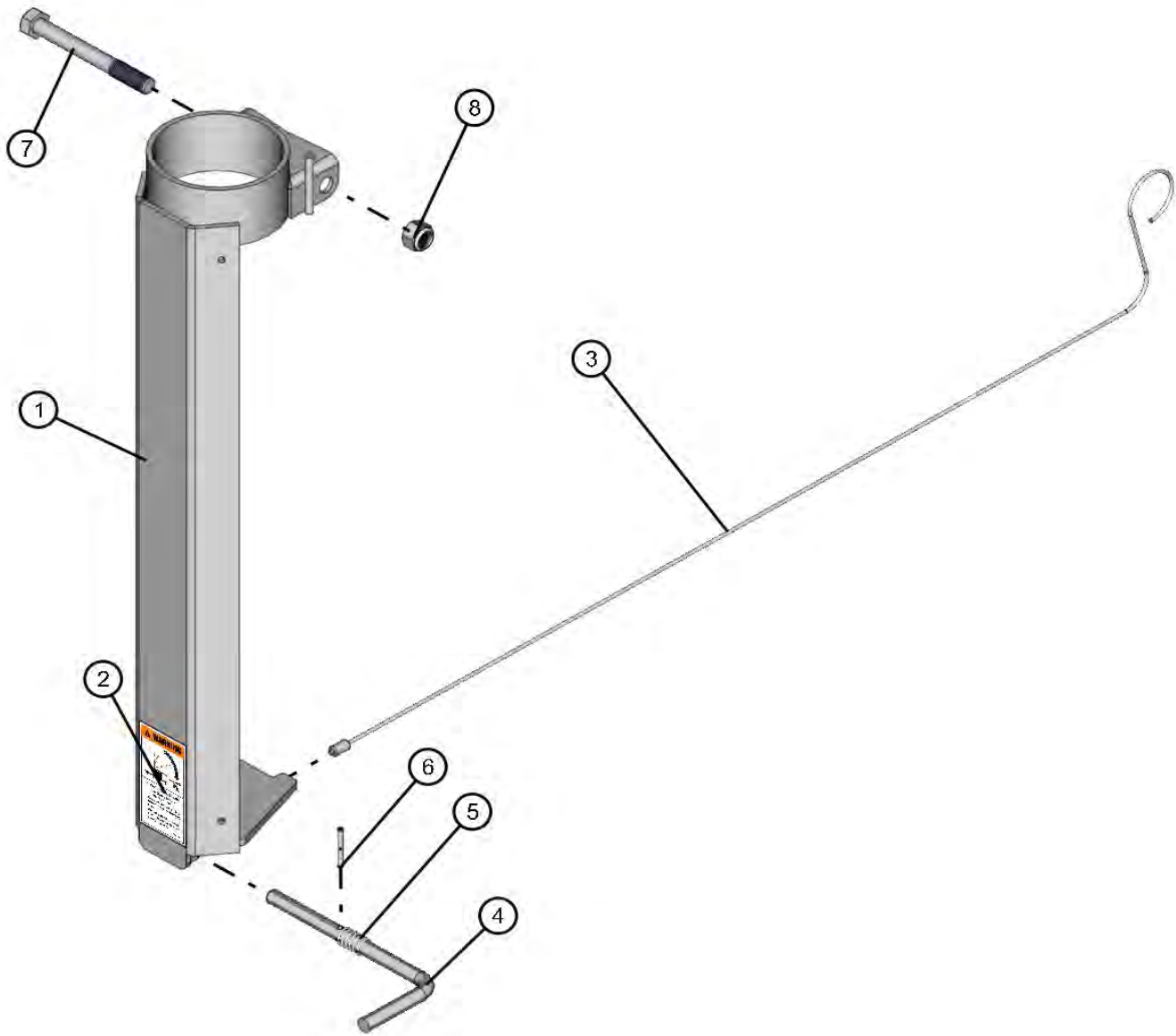
NO	QTY	PARTNO	DESCRIPTION
1	1	103030P	PIVOT SECTION
2	1	090164	DEATH OR INJURY DECAL
3	1	320185	WINCH CABLE
4	1	330450	LOCKING PIN
5	1	102944	SPRING
6	1	045156	1/4 X 2 SPRING ROLL PIN
7	1	046286	3/4-10 X 6 1/2 HEX HEAD CS GR5 PL
8	1	044058	3/4-10 NYLOCK HEX NUT PL

NOTE: NS = NOT SHOWN. WHEN ORDERING, SPECIFY THE COLOR WANTED ON PARTS CONTAINING THE LETTER "P"

PIVOT SECTION MANUAL WINCH TOWER (OLD)

NIGHT LITE PRO II

2/9/2012



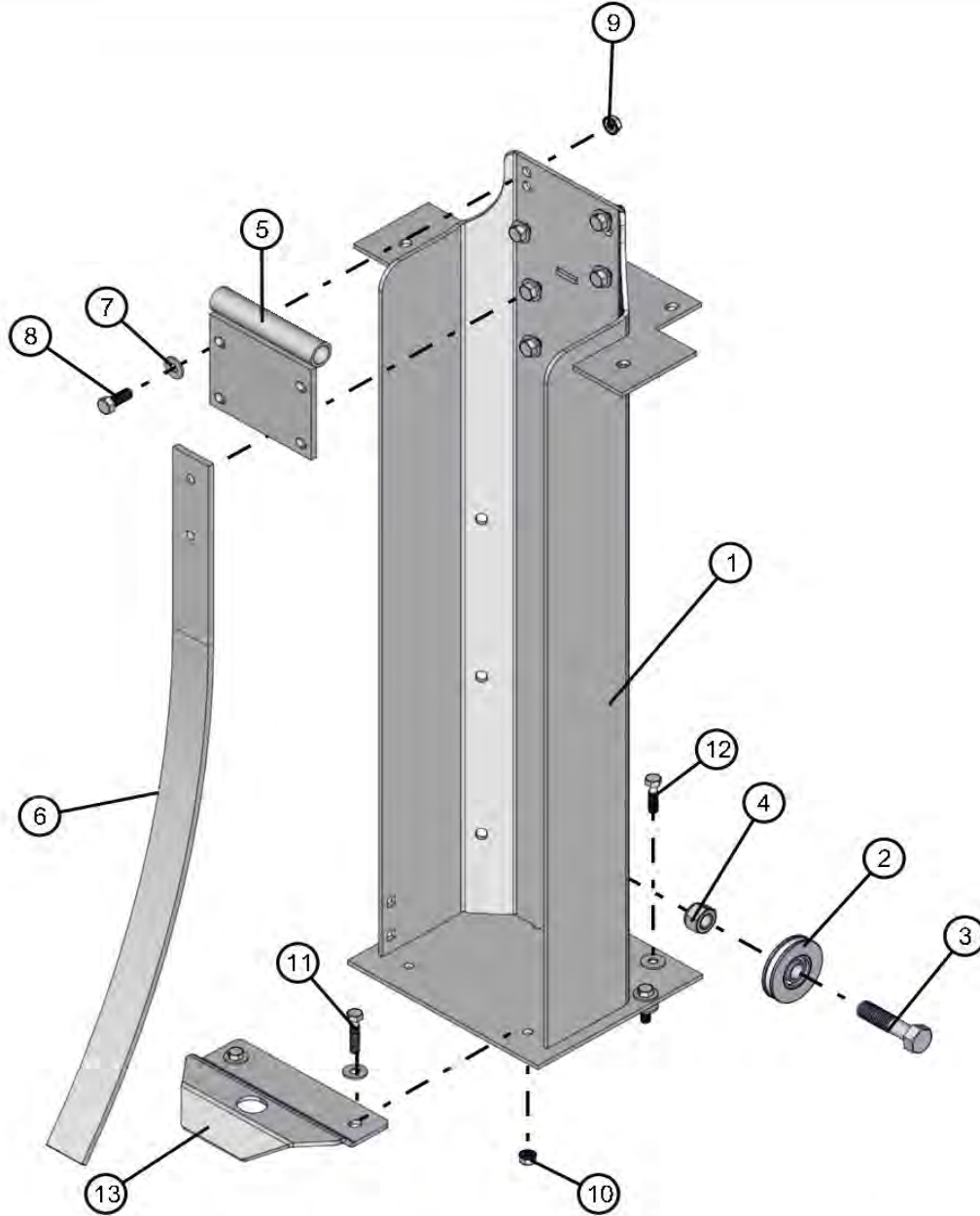
NO	QTY	PARTNO	DESCRIPTION
1	1	102782P	PIVOT SECTION
2	1	090164	DEATH OR INJURY DECAL
3	1	320185	WINCH CABLE
4	1	330450	LOCKING PIN
5	1	102944	SPRING
6	1	045156	1/4 X 2 SPRING ROLL PIN
7	1	046286	3/4-10 X 6 1/2 HEX HEAD CS GR5 PL
8	1	044058	3/4-10 NYLOCK HEX NUT PL

NOTE: NS = NOT SHOWN. WHEN ORDERING, SPECIFY THE COLOR WANTED ON PARTS CONTAINING THE LETTER "P"

PEDESTAL MANUAL WINCH TOWER (NEW)

NIGHT LITE PRO II

2/9/2012

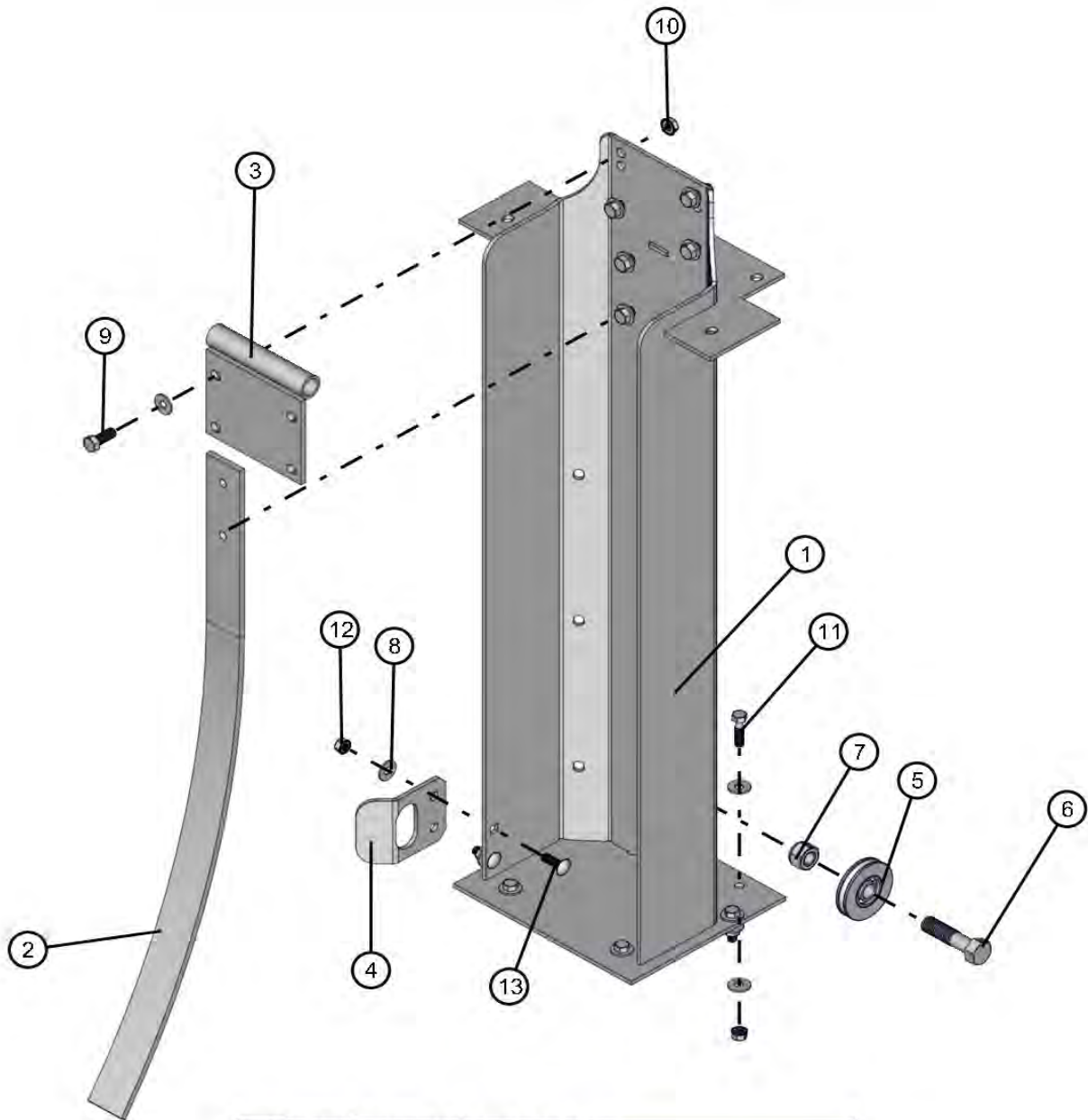


NO	QTY	PARTNO	DESCRIPTION
1	1	102766P	TOWER PEDESTAL
2	1	100160	2 1/2 PULLEY BALL BEARING
3	1	046243	5/8-11 X 2 1/2 HEX HEAD CS PL
4	1	044053	5/8-11 NYLOCK HEX NUT PL
5	1	650111P	PIVOT PLATE
6	1	630555P	SPRING
7	18	047010	5/16 FLAT WASHER PL
8	6	046110	3/8-16 X 1 HEX HEAD CS GR5 PL
9	6	044036	3/8-16 KEPS HEX NUT PL
10	6	044031	5/16 -18 KEPS HEX NUT PL
11	2	046060	5/16-18 X 1 1/2 HEX HEAD CS GR5 PL
12	4	046055	5/16-18 X 1 1/4 HEX HEAD CS GR5 PL
13	1	102839P	PIN CATCH

NOTE: NS = NOT SHOWN. WHEN ORDERING, SPECIFY THE COLOR WANTED ON PARTS CONTAINING THE LETTER "P"

PEDESTAL MANUAL WINCH TOWER (OLD) NIGHT LITE PRO II

2/9/2012



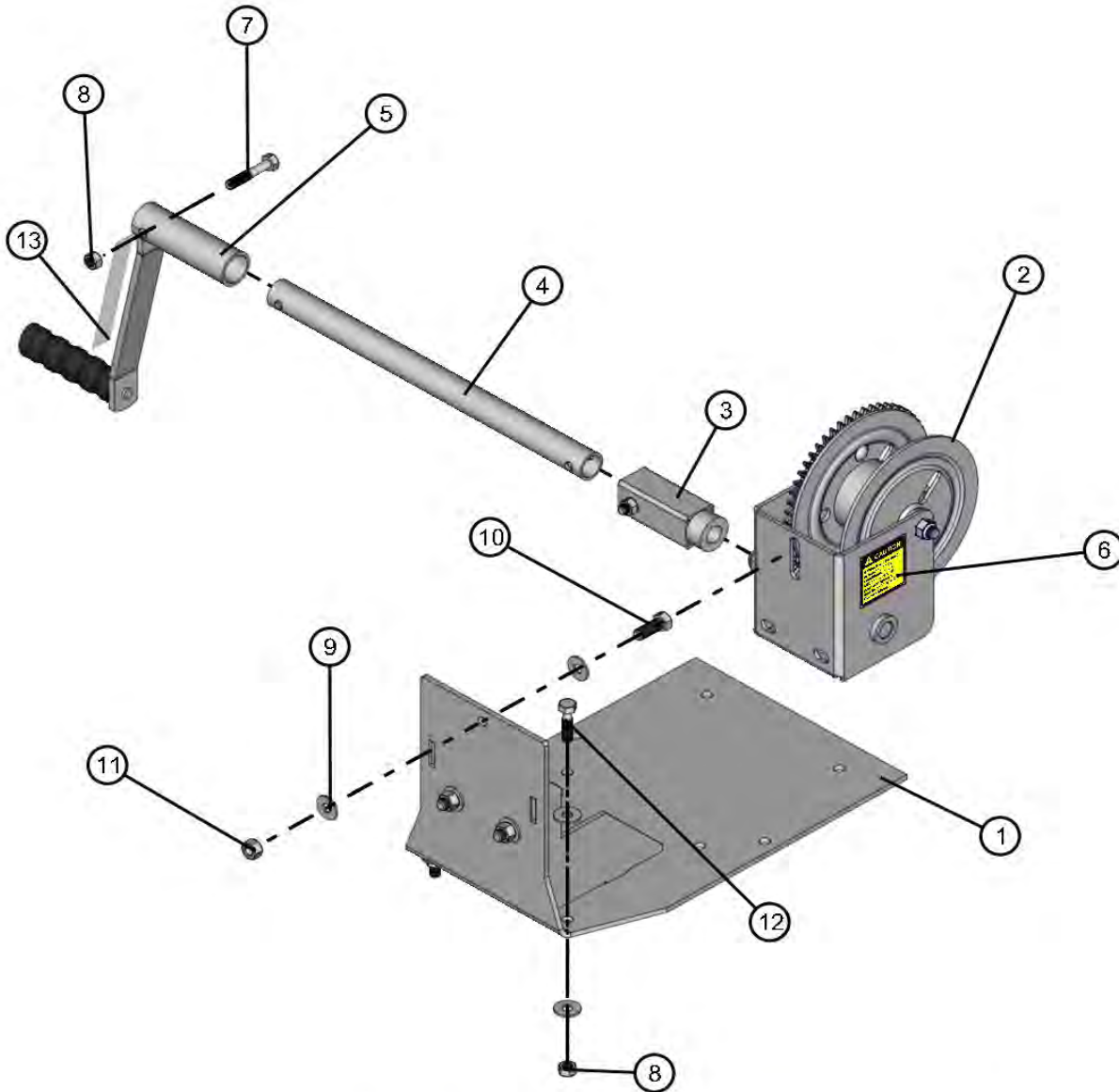
NO	QTY	PARTNO	DESCRIPTION
1	1	102766P	TOWER PEDESTAL
2	1	630555P	SPRING
3	1	650111P	PIVOT PLATE
4	1	102754P	LATCH
5	1	100160	2 1/2 PULLEY BALL BEARING
6	1	046243	5/8-11 X 2 1/2 HEX HEAD CS PL
7	1	044053	5/8-11 NYLOCK HEX NUT PL
8	20	047010	5/16 FLAT WASHER PL
9	6	046110	3/8-16 X 1 HEX HEAD CS GR5 PL
10	6	044036	3/8-16 KEPS HEX NUT PL
11	6	046055	5/16-18 X 1 1/4 HEX HEAD CS GR5 PL
12	8	044031	5/16 -18 KEPS HEX NUT PL
13	2	053020	5/16-18 X 1 CARRIAGE BOLT PL

NOTE: NS = NOT SHOWN. WHEN ORDERING, SPECIFY THE COLOR WANTED ON PARTS CONTAINING THE LETTER "P"

MANUAL WINCH - NON CONTAINMENT TRAY

NIGHT LITE PRO II

2/9/2012



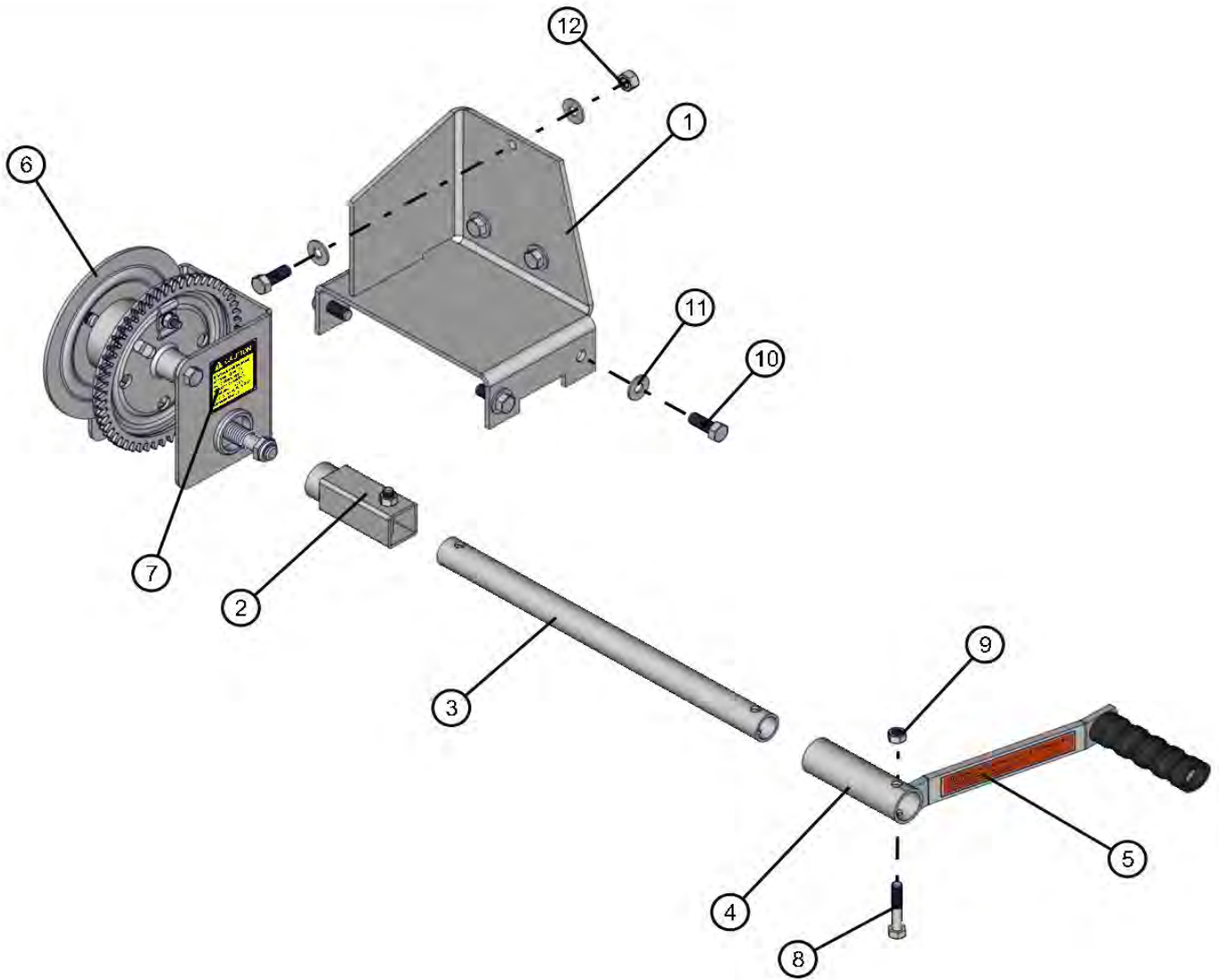
NO	QTY	PARTNO	DESCRIPTION
1	1	102842P	WINCH MOUNT
2	1	610531	DLB-1200 LB WINCH
3	1	660144P	DRIVE HUB
4	1	102753	EXTENSION
5	1	680833	7 3/8 WINCH HANDLE
6	1	090474	WINCH CAUTION DECAL
7	2	046065	5/16-18 X 1 3/4 HEX HEAD CS GR5 PL
8	4	044030	5/16-18 HEX NUT PL
9	10	047010	5/16 FLAT WASHER PL
10	3	046110	3/8-16 X 1 HEX HEAD CS GR5 PL
11	3	044035	3/8-16 HEX NUT PL
12	2	046055	5/16-18 X 1 1/4 HEX HEAD CS GR5 PL
13	1	204358C	WINCH ACCIDENT DECAL

NOTE: NS = NOT SHOWN. WHEN ORDERING, SPECIFY THE COLOR WANTED ON PARTS CONTAINING THE LETTER "P"

MANUAL WINCH - CONTAINMENT TRAY

NIGHT LITE PRO II

2/9/2012

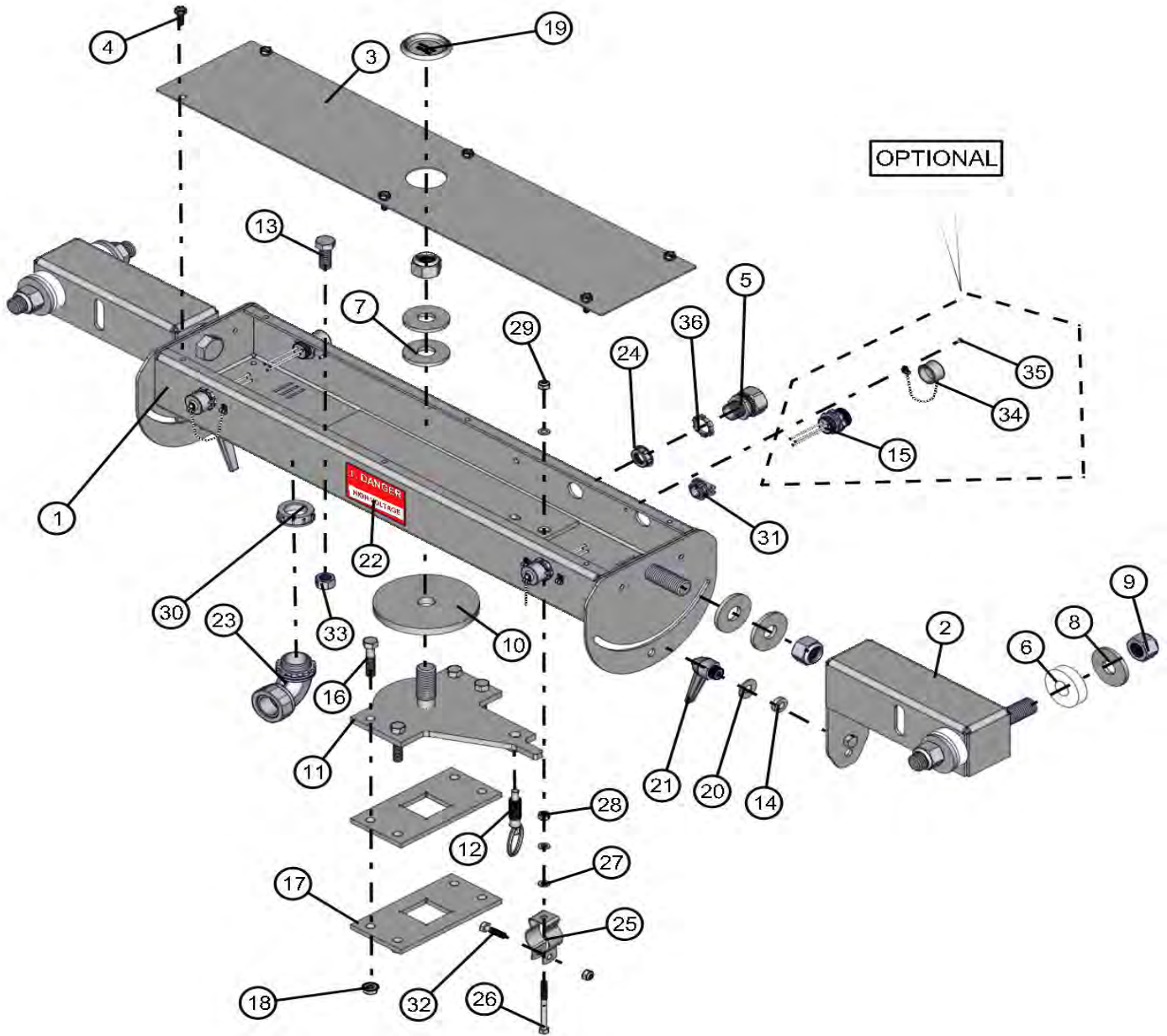


NO	QTY	PARTNO	DESCRIPTION
1	1	102770P	WINCH MOUNT
2	1	660144P	DRIVE HUB
3	1	102753	EXTENSION
4	1	680833	7 3/8 WINCH HANDLE
5	1	204358C	WINCH ACCIDENT DECAL
6	1	610531	DLB-1200 LB WINCH
7	1	090474	WINCH CAUTION DECAL
8	2	046065	5/16-18 X 1 3/4 HEX HEAD CS GR5 PL
9	2	044030	5/16-18 HEX NUT PL
10	7	046110	3/8-16 X 1 HEX HEAD CS GR5 PL
11	10	047010	5/16 FLAT WASHER PL
12	3	044035	3/8-16 HEX NUT PL

NOTE: NS = NOT SHOWN. WHEN ORDERING, SPECIFY THE COLOR WANTED ON PARTS CONTAINING THE LETTER "P"

ROTATIONAL LIGHT BAR VERTICAL TOWER NIGHT LITE PRO II

2/9/2012



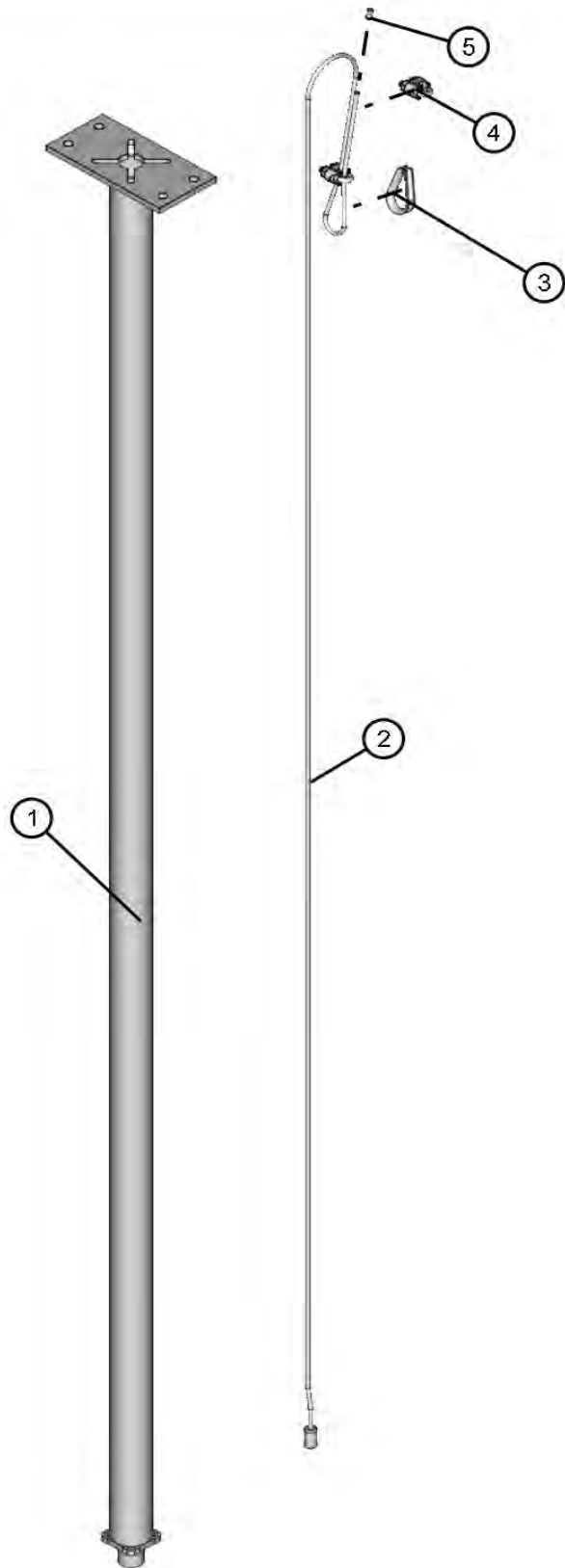
NO	QTY	PARTNO	DESCRIPTION
1	1	101930P	LIGHT BAR
2	2	101931P	LAMP MOUNT
3	1	101929P	COVER
4	6	041070	1/4-20 x 3/4 SL-HEX WASHER HEAD MS TP F
5	1	310033	1/2 CORD GRIP
6	4	101813	.781 ID x 2 OD x 1/2 HDPE WASHER
7	3	650550	.785" x 2" HDPE WASHER
8	7	047035	3/4 FLAT WASHER PL
9	7	044058	3/4-10 NYLOCK HEX NUT PL
10	1	100147	UHMW BEARING
11	1	100143-15	ROTATION MOUNT
12	1	100148	SPRING LOCK 1/2-13 X 1.4
13	1	046180	1/2-13 X 1 1/4 HEX HEAD CS GR5 PL
14	2	047019	3/4 OD X .385 ID NYLON BUSHING
15	4	310414	QD CONNECTOR FEMALE
16	4	046126	3/8-16 x 1 3/4 HEX HEAD CS GR5 PL
17	2	100104P	BRACKET
18	4	044036	3/8-16 KEPS HEX NUT PL
19	1	680878	1 3/4 CAPLUG

NO	QTY	PARTNO	DESCRIPTION
20	2	047015	3/8 FLAT WASHER PL
21	2	102361	ADJUSTABLE LEVER
22	2	090002	HIGH VOLTAGE DECAL
23	1	102979	CORD GRIP 90° ELBOW
24	1	022415	1/2 INSULATING BUSHING
25	1	100474	1" CONDUIT HANGER
26	1	046037	1/4-20 x 2 3/4 HEX HEAD CS GR5 PL
27	3	047009	1/4 FLAT WASHER SAE SS
28	1	044020	1/4-20 HEX NUT PL
29	2	044023	1/4-20 NYLOCK HEX NUT PL
30	1	101672	1" INSULATING BUSHING
31	4	022020	3/8 2 SCREW CLAMP
32	1	046015	1/4-20 X 1 HEX HEAD CS GR5 PL
33	1	044045	1/2-13 HEX NUT PL
34	4	310413	CAP
35	4	045116	1/8 X 1/4 BLIND RIVET
36	1	022035	1/2 CORD GRIP NUT

NOTE: NS = NOT SHOWN. WHEN ORDERING, SPECIFY THE COLOR WANTED ON PARTS CONTAINING THE LETTER "P"

SECTION 6 VERTICAL TOWER NIGHT LITE PRO II

2/9/2012

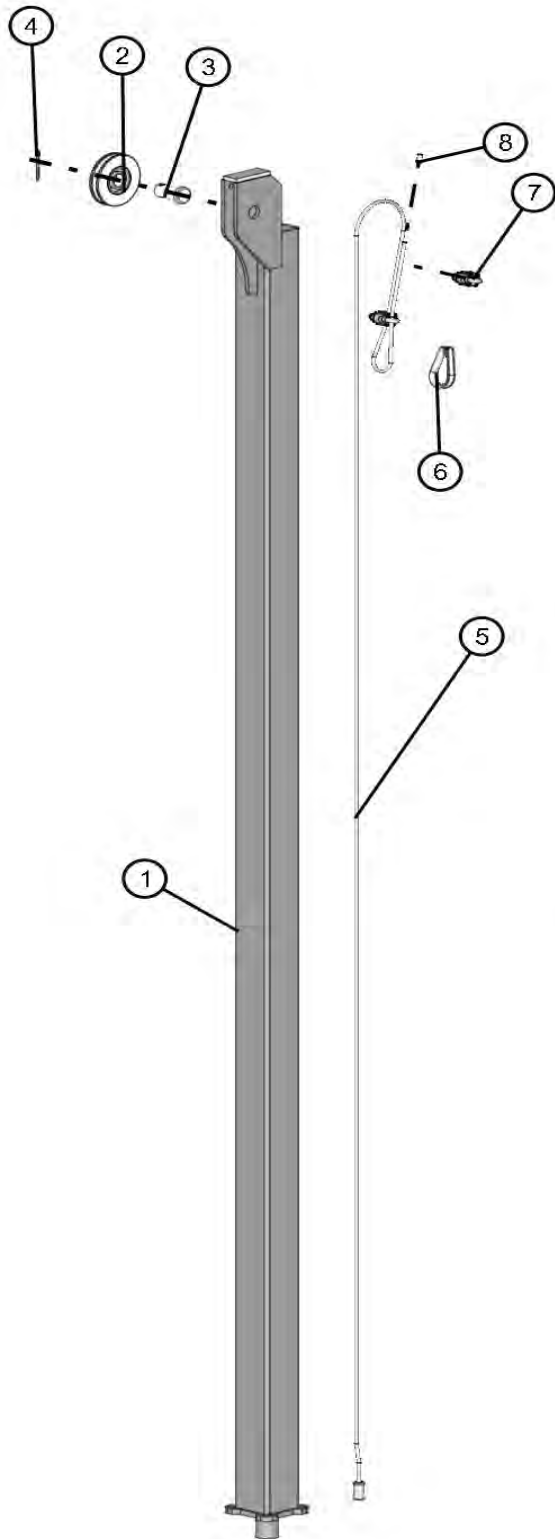


NO	QTY	PARTNO	DESCRIPTION
1	1	102972P	ROUND SECTION
2	1	350185	3/16 CABLE X 10'
3	1	045040	1/4 CABLE THIMBLE
4	2	620084	1/4 CABLE CLIP
5	1	022150	FERRULE 10-12 AWG

NOTE: NS = NOT SHOWN. WHEN ORDERING, SPECIFY THE COLOR WANTED ON PARTS CONTAINING THE LETTER "P"

SECTION 5 VERTICAL TOWER NIGHT LITE PRO II

2/9/2012

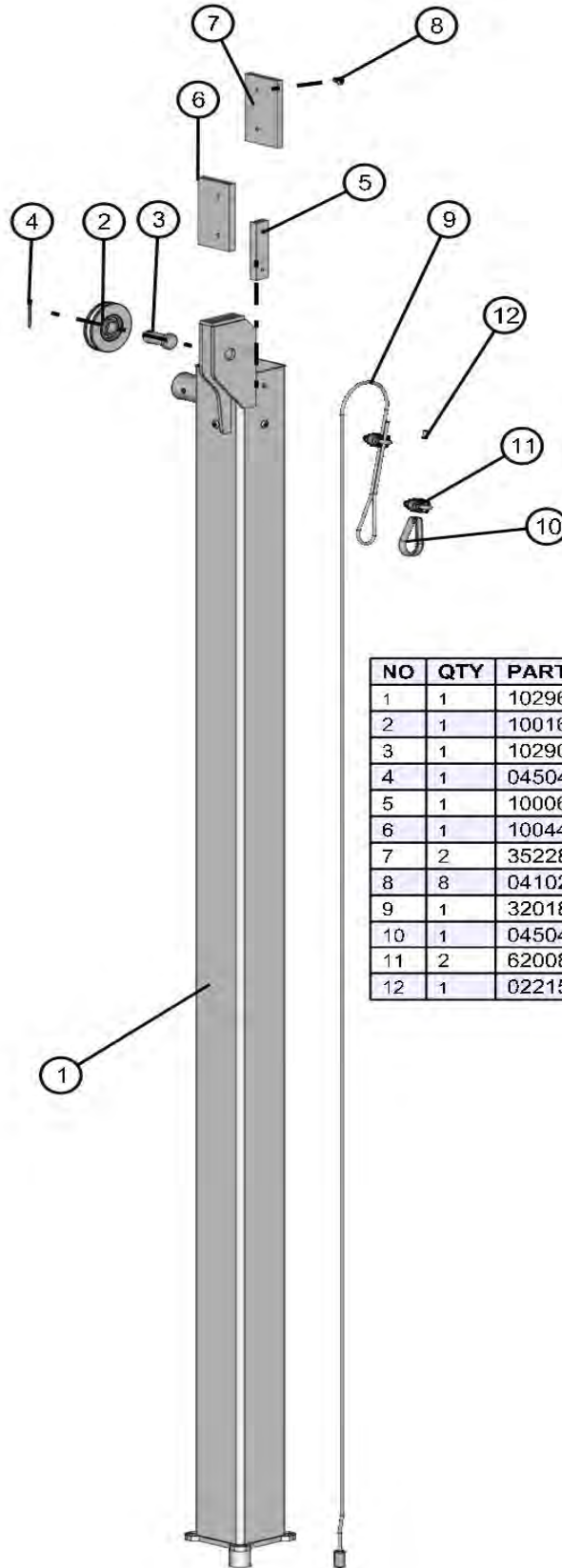


NO	QTY	PARTNO	DESCRIPTION
1	1	102968P	2" SECTION
2	1	100160	2 1/2 PULLEY BALL BEARING
3	1	102906	5/8 X 1 1/4 CLEVIS PIN
4	1	045045	5/32 X 1 1/2 COTTER PIN
5	1	320185	3/16 CABLE X 10'
6	1	045040	1/4 CABLE THIMBLE
7	2	620084	1/4 CABLE CLIP
8	1	022150	FERRULE 10-12 AWG

NOTE: NS = NOT SHOWN. WHEN ORDERING, SPECIFY THE COLOR WANTED ON PARTS CONTAINING THE LETTER "P"

SECTION 4 VERTICAL TOWER NIGHT LITE PRO II

2/9/2012

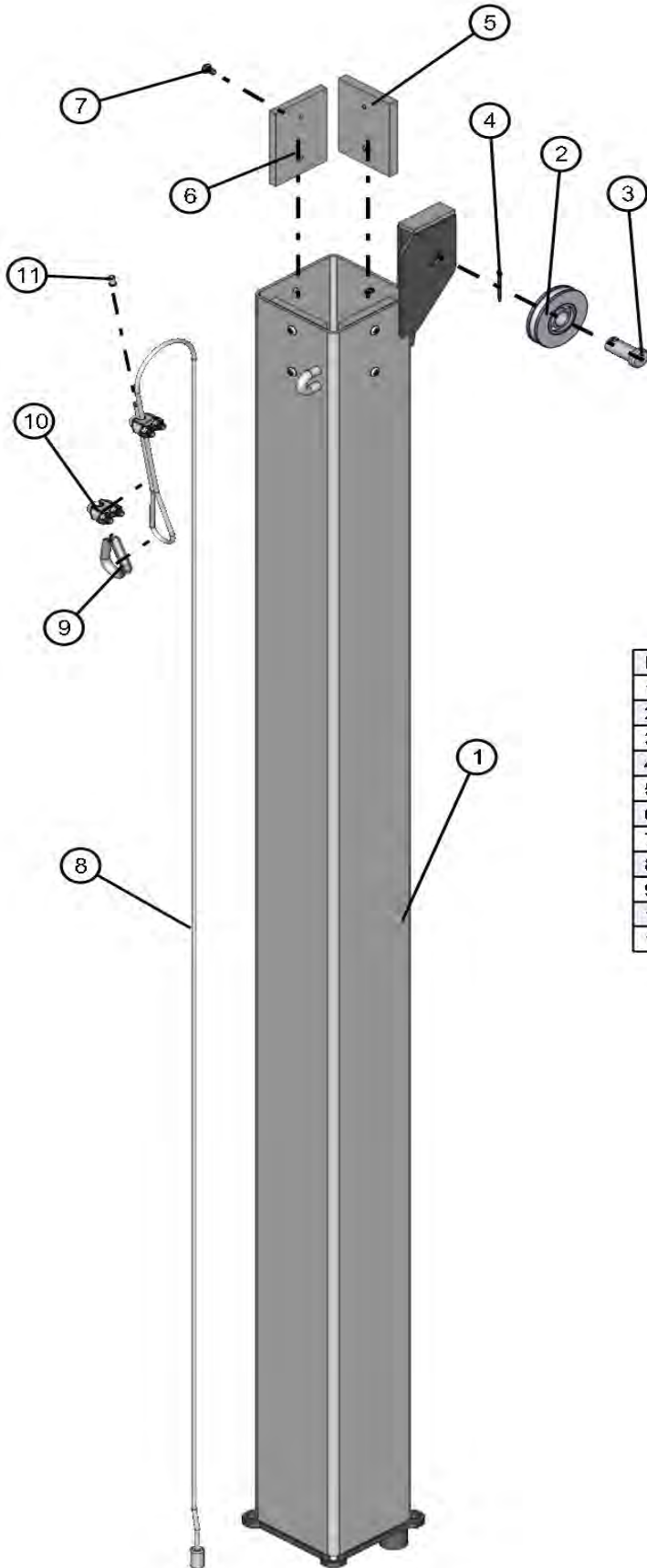


NO	QTY	PARTNO	DESCRIPTION
1	1	102965P	3" SECTION
2	1	100160	2 1/2 PULLEY BALL BEARING
3	1	102906	5/8 X 1 1/4 CLEVIS PIN
4	1	045045	5/32 X 1 1/2 COTTER PIN
5	1	100062	3/8 UHMW SPACER
6	1	100446	3/8 PAD
7	2	352280	5/16 PAD
8	8	041023	#10 X 3/8 PH-ROUND HEAD MS PL
9	1	320185	3/16 CABLE X 10'
10	1	045040	1/4 CABLE THIMBLE
11	2	620084	1/4 CABLE CLIP
12	1	022150	FERRULE 10-12 AWG

NOTE: NS = NOT SHOWN. WHEN ORDERING, SPECIFY THE COLOR WANTED ON PARTS CONTAINING THE LETTER "P"

SECTION 3 VERTICAL TOWER NIGHT LITE PRO II

2/9/2012

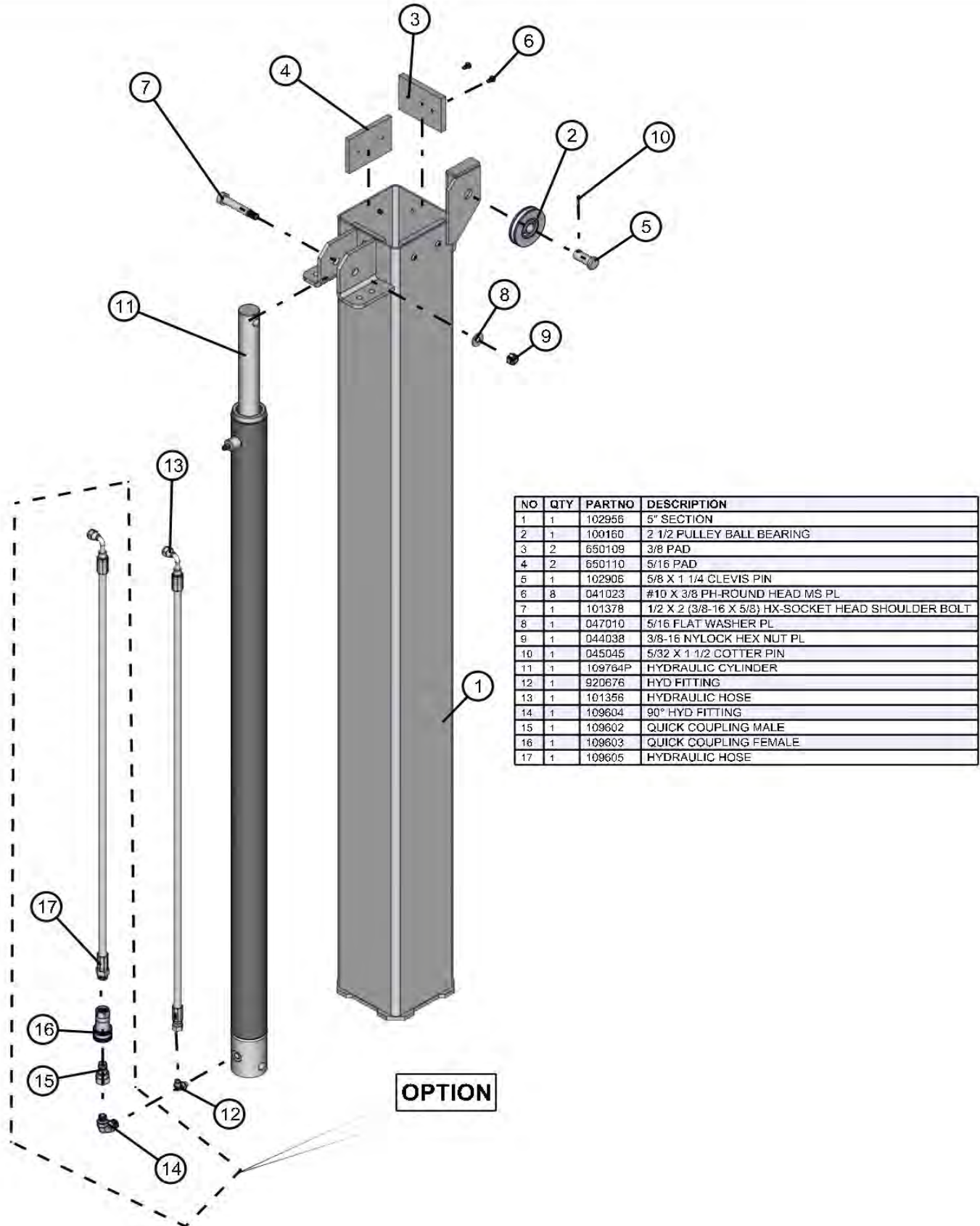


NO	QTY	PARTNO	DESCRIPTION
1	1	102961P	4" SECTION
2	1	100160	2 1/2 PULLEY BALL BEARING
3	1	102906	5/8 X 1 1/4 CLEVIS PIN
4	1	045045	5/32 X 1 1/2 COTTER PIN
5	2	650109	3/8 PAD
6	2	650110	5/16 PAD
7	8	041023	#10 X 3/8 PH-ROUND HEAD MS PL
8	1	320185	3/16 CABLE X 10'
9	1	045040	1/4 CABLE THIMBLE
10	2	620084	1/4 CABLE CLIP
11	1	022150	FERRULE 10-12 AWG

NOTE: NS = NOT SHOWN. WHEN ORDERING, SPECIFY THE COLOR WANTED ON PARTS CONTAINING THE LETTER "P"

SECTION 2 VERTICAL TOWER NIGHT LITE PRO II

2/9/2012

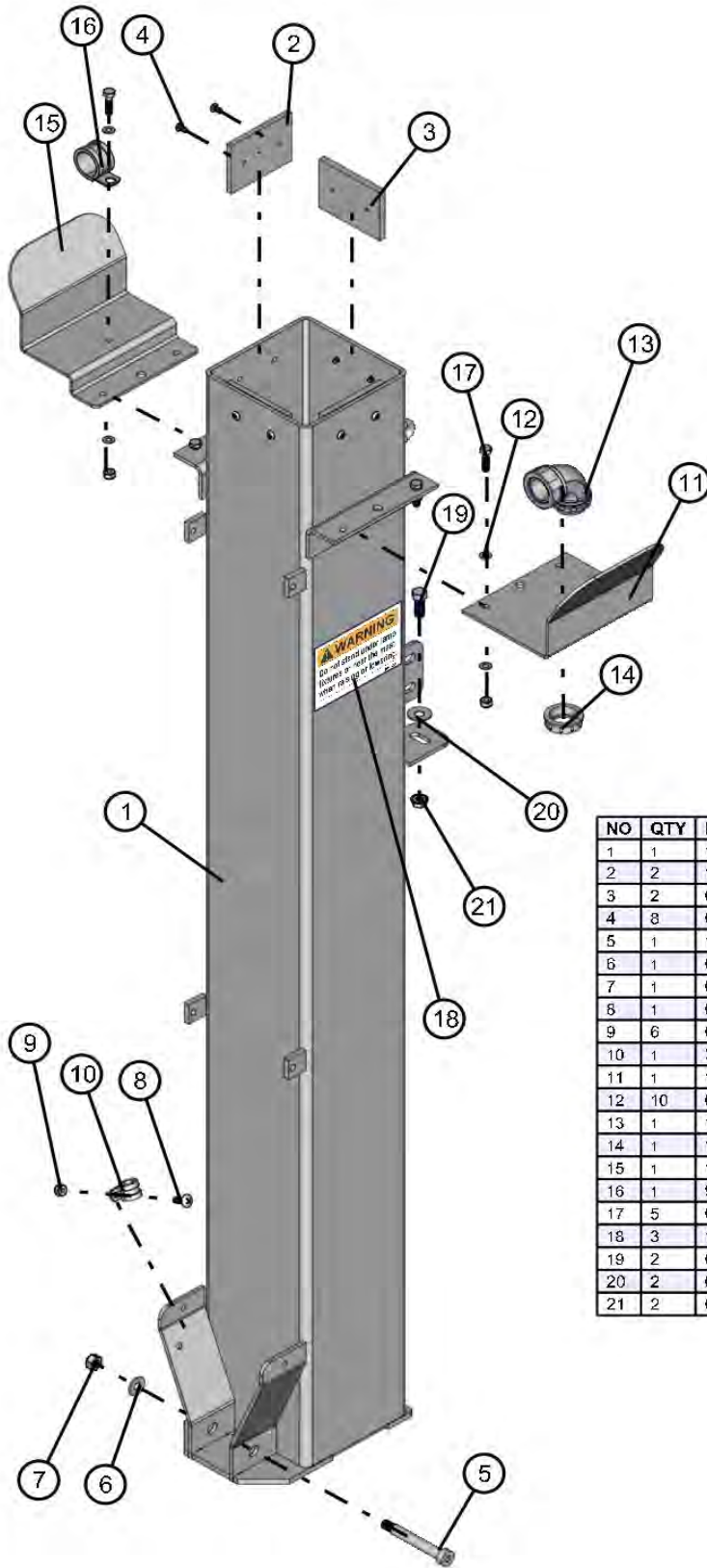


OPTION

NOTE: NS = NOT SHOWN. WHEN ORDERING, SPECIFY THE COLOR WANTED ON PARTS CONTAINING THE LETTER "P"

SECTION 1 VERTICAL TOWER NIGHT LITE PRO II

2/9/2012



NO	QTY	PARTNO	DESCRIPTION
1	1	102951P	6" SECTION
2	2	102954	1/4 PAD
3	2	650110	5/16 PAD
4	8	041023	#10 X 3/8 PH-ROUND HEAD MS PL
5	1	101379	1/2 X 2 3/4 (3/8-16 X 5/8) HX-SOCKET HEAD SHOULDER BOLT
6	1	047010	5/16 FLAT WASHER PL
7	1	044036	3/8-16 NYLOCK HEX NUT PL
8	1	041050	1/4-20 X 3/4 PH-TRUSS HEAD MS SS
9	6	044023	1/4-20 NYLOCK HEX NUT PL
10	1	310212	#10 CUSH CLAMP 1/4 HOLE
11	1	102977P	BRACKET
12	10	047009	1/4 FLAT WASHER SAE SS
13	1	102979	CORD GRIP 90° ELBOW
14	1	101672	1" INSULATING BUSHING
15	1	102978P	CLAMP PLATE
16	1	920366	#16 CUSH CLAMP
17	5	046015	1/4-20 X 1 HEX HEAD CS GR5 PL
18	3	101404	DO NOT STAND DECAL
19	2	046110	3/8-16 X 1 HEX HEAD CS GR5 PL
20	2	047015	3/8 FLAT WASHER PL
21	2	044036	3/8-16 KEPS HEX NUT PL

NOTE: NS = NOT SHOWN. WHEN ORDERING, SPECIFY THE COLOR WANTED ON PARTS CONTAINING THE LETTER "P"

INSTRUCTIONS FOR REPLACING STEEL CABLES

NIGHT LITE PRO II

2/9/2012

HYDRAULIC VERTICAL TOWER

Section 6 -

- Remove cable clamps (2) from section 4.
- Remove section 6.
- Remove all broken and frayed cable.
- Replace new cable into slot in the bottom of section 6.
- Replace section 6 into section 5.
- Route cable through pulley bracket on section 5.
- With all sections pushed together tight, insert cable through half-link on section 5.
- Replace cable clips.

Section 5 -

- Remove cable clamps (2) from section 3.
- Remove machine screws (8) and pads (4) from section 4. *Being careful not to drop them into lower tower sections*
- Remove section 5.
- Remove all broken and frayed cable.
- Replace new cable into slot in the bottom of section 5.
- Replace section 5 into section 4.
- Route cable through pulley bracket on section 4.
- With all sections pushed together tight, insert cable through half-link on section 3.
- Replace cable clips.
- Replace tower pads and screws. *Be careful not to drop them into lower tower sections.*

Section 4 -

- Remove cable clamps (2) from section 2.
- Remove machine screws (8) and pads (4) from section 3. *Being careful not to drop into lower tower sections*
- Remove section 4.
- Remove all broken and frayed cable.
- Replace new cable into slot in the bottom of section 4.
- Replace section 4 into section 3.
- Route cable through pulley bracket on section 3.
- With all sections pushed together tight, insert cable through half-link on section 2.
- Replace cable clips.
- Replace tower pads and screws. *Be careful not to drop them into lower tower sections.*

INSTRUCTIONS FOR REPLACING STEEL CABLES

NIGHT LITE PRO II

2/9/2012

HYDRAULIC VERTICAL TOWER

Section 3 -

Remove cable clamps (2) from section 1.

Remove machine screws (8) and pads (4) from section 2. *Being care full not to drop into lower tower sections*

Remove section 3.

Remove all broken and frayed cable.

Replace new cable into slot in the bottom of section 3.

Replace section 3 into section 2.

Route cable through pulley bracket on section 2.

With all sections pushed together tight, insert cable through half-link on section 1.

Replace cable clips.

Replace tower pads and screws. *Be careful not to drop them into lower tower sections.*

Note:

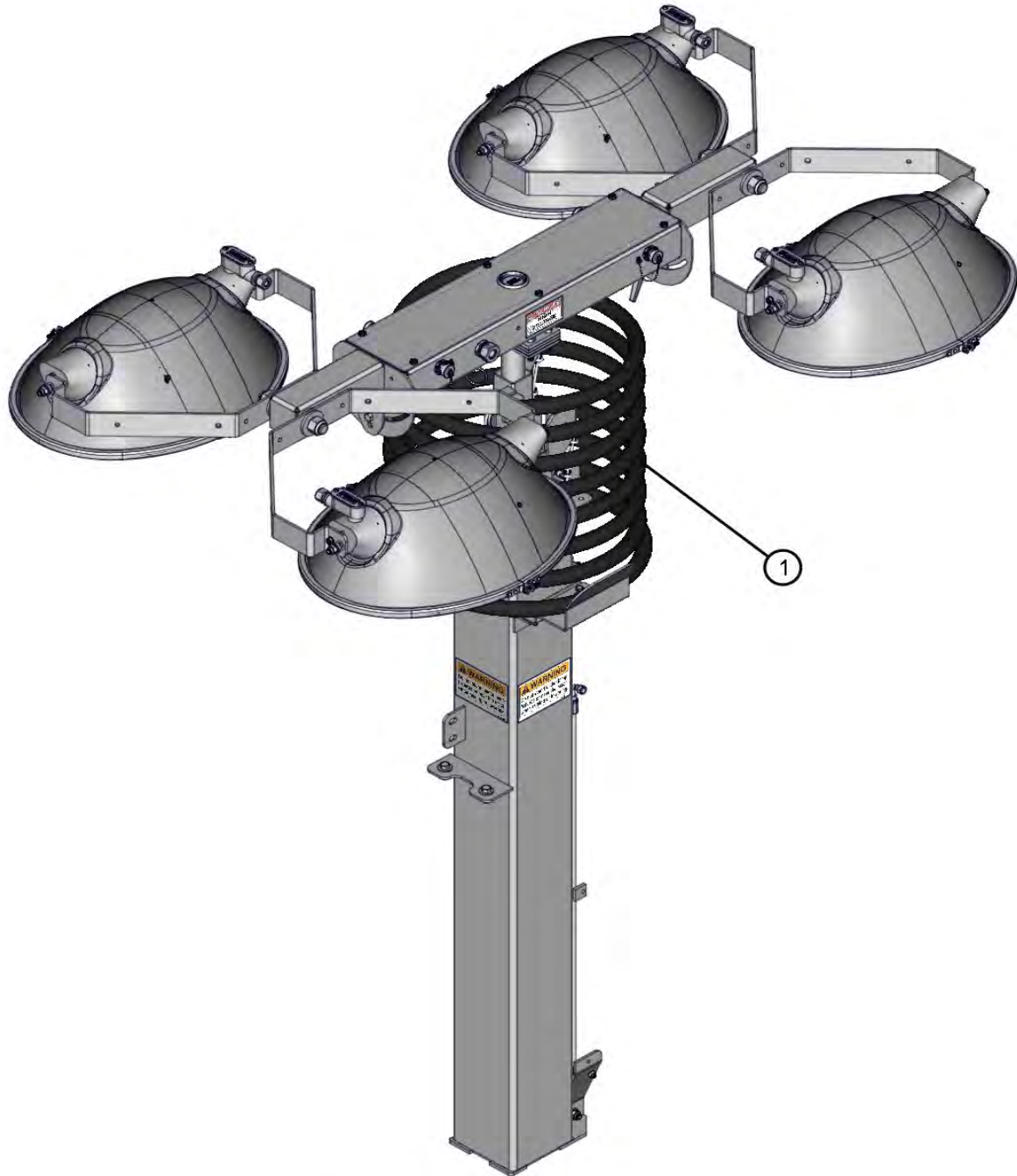
If broken cable, tower pads or pad screw happen to fall into lower sections they must be retrieved . Damage to tower sections or other moving parts may occur.

Note:

When replacing tower section cables, the tower sections above the cable being replaced should be removed.

NYCOIL VERTICAL TOWER NIGHT LITE PRO II

2/9/2012

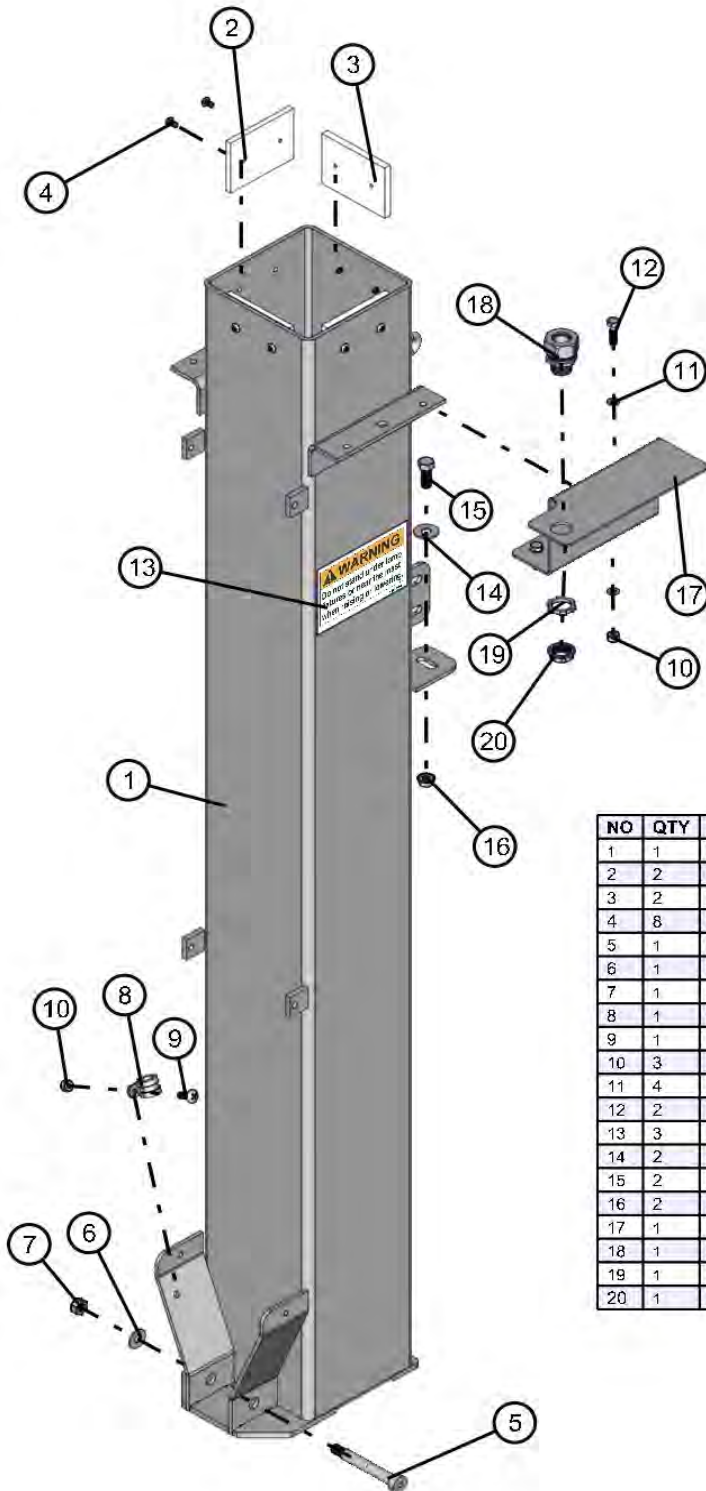


NO	QTY	PARTNO	DESCRIPTION
1	1	101183	1 1/4 NYCOIL

NOTE: NS = NOT SHOWN. WHEN ORDERING, SPECIFY THE COLOR WANTED ON PARTS CONTAINING THE LETTER "P"

SECTION 1 VERTICAL TOWER CORD REEL NIGHT LITE PRO II

2/9/2012

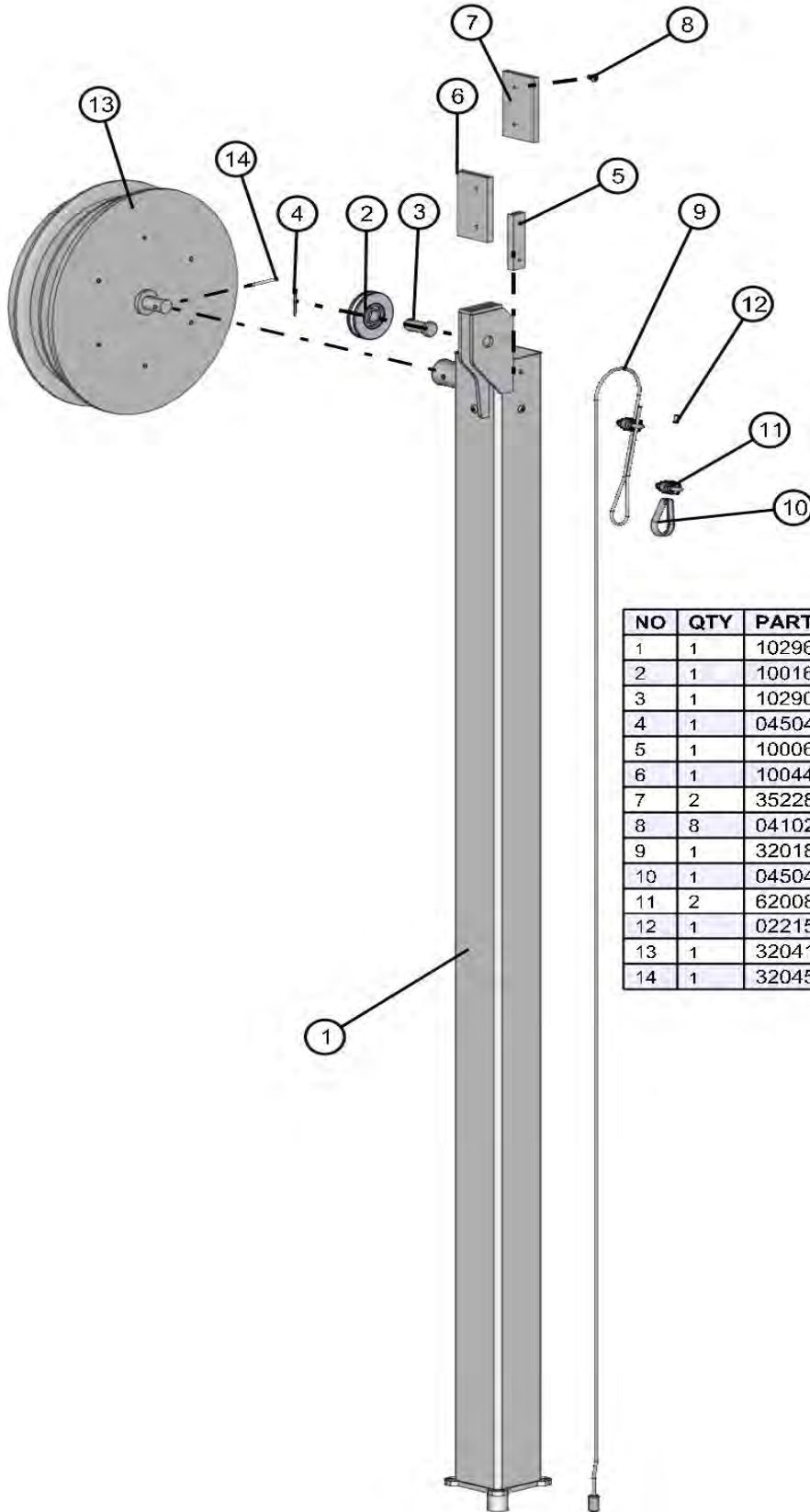


NO	QTY	PARTNO	DESCRIPTION
1	1	102951P	6" SECTION
2	2	102954	1/4 PAD
3	2	650110	5/16 PAD
4	8	041023	#10 X 3/8 PH-ROUND HEAD MS PL
5	1	101379	1/2 X 2 3/4 (3/8-16 X 5/8) HX-SOCKET HEAD SHOULDER BOLT
6	1	047010	5/16 FLAT WASHER PL
7	1	044036	3/8-16 NYLOCK HEX NUT PL
8	1	310212	#10 CUSH CLAMP 1/4 HOLE
9	1	041050	1/4-20 X 3/4 PH-TRUSS HEAD MS SS
10	3	044023	1/4-20 NYLOCK HEX NUT PL
11	4	047009	1/4 FLAT WASHER SAE SS
12	2	046015	1/4-20 X 1 HEX HEAD CS GR5 PL
13	3	101404	DO NOT STAND DECAL
14	2	047015	3/8 FLAT WASHER PL
15	2	046110	3/8-16 X 1 HEX HEAD CS GR5 PL
16	2	044036	3/8-16 KEPS HEX NUT PL
17	1	103301P	BRACKET
18	1	310033	1/2 CORD GRIP
19	1	022035	1/2 CORD GRIP NUT
20	1	022415	1/2 INSULATING BUSHING

NOTE: NS = NOT SHOWN. WHEN ORDERING, SPECIFY THE COLOR WANTED ON PARTS CONTAINING THE LETTER "P"

SECTION 4 VERTICAL TOWER CORD REEL NIGHT LITE PRO II

2/9/2012

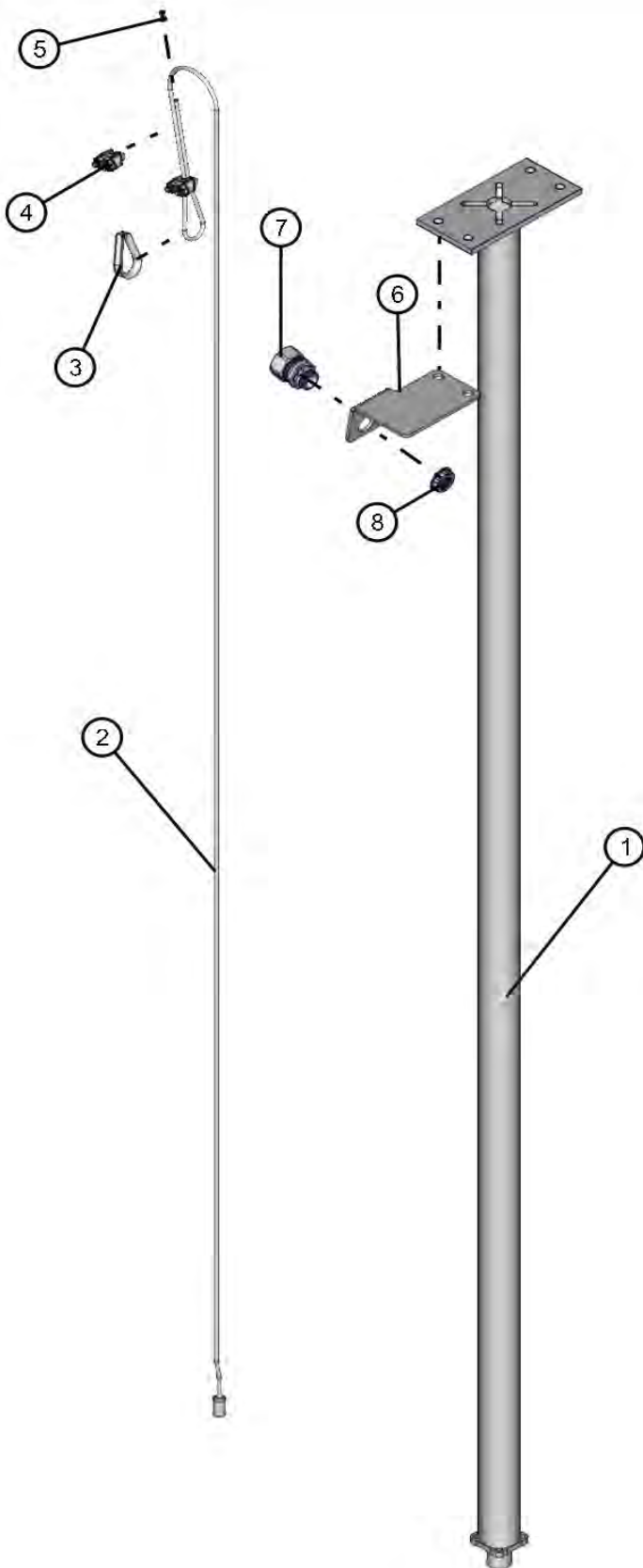


NO	QTY	PARTNO	DESCRIPTION
1	1	102965P	3" SECTION
2	1	100160	2 1/2 PULLEY BALL BEARING
3	1	102906	5/8 X 1 1/4 CLEVIS PIN
4	1	045045	5/32 X 1 1/2 COTTER PIN
5	1	100062	3/8 UHMW SPACER
6	1	100446	3/8 PAD
7	2	352280	5/16 PAD
8	8	041023	#10 X 3/8 PH-ROUND HEAD MS PL
9	1	320185	3/16 CABLE X 10'
10	1	045040	1/4 CABLE THIMBLE
11	2	620084	1/4 CABLE CLIP
12	1	022150	FERRULE 10-12 AWG
13	1	320410P	CORD REEL (OPTION)
14	1	320453	3/16 X 1 3/4 SPRING ROLL PIN

NOTE: NS = NOT SHOWN. WHEN ORDERING, SPECIFY THE COLOR WANTED ON PARTS CONTAINING THE LETTER "P"

SECTION 6 VERTICAL TOWER CORD REEL NIGHT LITE PRO II

2/9/2012



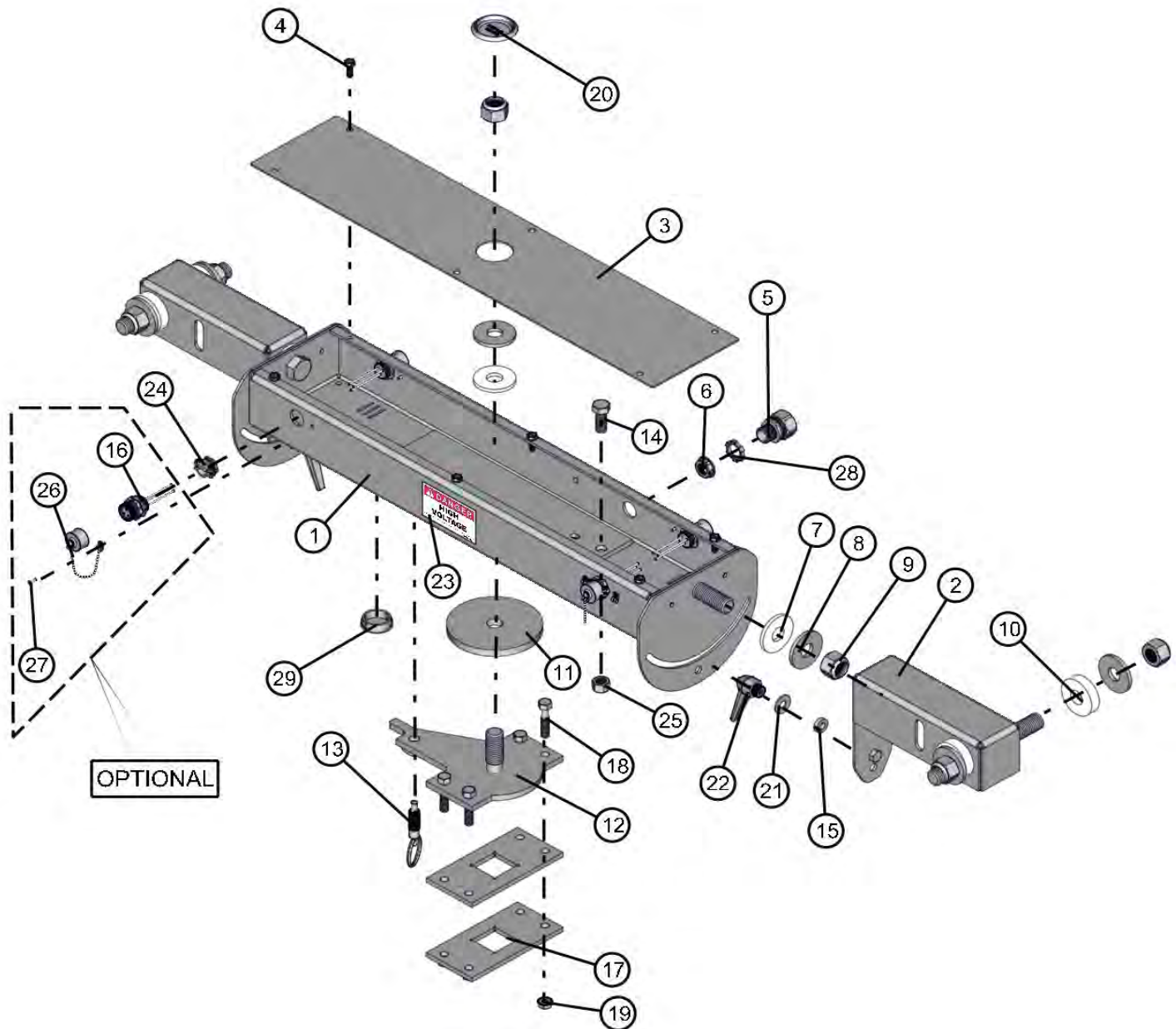
NO	QTY	PARTNO	DESCRIPTION
1	1	102972P	ROUND SECTION
2	1	350185	3/16 CABLE X 10'
3	1	045040	1/4 CABLE THIMBLE
4	2	620084	1/4 CABLE CLIP
5	1	022150	FERRULE 10-12 AWG
6	1	103191P	BRACKET
7	1	310033	1/2 CORD GRIP
8	1	022415	1/2 INSULATING BUSHING

NOTE: NS = NOT SHOWN. WHEN ORDERING, SPECIFY THE COLOR WANTED ON PARTS CONTAINING THE LETTER "P"

ROTATIONAL LIGHT BAR VERTICAL TOWER CORD REEL

NIGHT LITE PRO II

2/9/2012



NO	QTY	PARTNO	DESCRIPTION
1	1	101930P	LIGHT BAR
2	2	101931P	LAMP MOUNT
3	1	101929P	COVER
4	6	041070	1/4-20 x 3/4 SL-HEX WASHER HEAD MS TP F
5	1	310033	1/2 CORD GRIP
6	1	022415	1/2 INSULATING BUSHING
7	3	650550	.785" x 2" HDPE WASHER
8	7	047035	3/4 FLAT WASHER PL
9	7	044058	3/4-10 NYLOCK HEX NUT PL
10	4	101813	.781 ID x 2 OD x 1/2 HDPE WASHER
11	1	100147	UHMW BEARING
12	1	100143-15	ROTATION MOUNT
13	1	100148	SPRING LOCK 1/2-13 X 1.4
14	1	046180	1/2-13 X 1 1/4 HEX HEAD CS GR5 PL
15	2	047019	3/4 OD X .385 ID NYLON BUSHING

NO	QTY	PARTNO	DESCRIPTION
16	4	310414	QD CONNECTOR FEMALE
17	2	100104P	BRACKET
18	4	046126	3/8-16 x 1 3/4 HEX HEAD CS GR5 PL
19	4	044036	3/8-16 KEPS HEX NUT PL
20	1	680878	1 3/4 CAPLUG
21	2	047015	3/8 FLAT WASHER PL
22	2	102361	ADJUSTABLE LEVER
23	2	090002	HIGH VOLTAGE DECAL
24	4	022020	3/8 2 SCREW CLAMP
25	1	044045	1/2-13 HEX NUT PL
26	4	310413	CAP
27	4	045116	1/8 X 1/4 BLIND RIVET
28	1	022035	1/2 CORD GRIP NUT
29	1	064040	1 3/8 CAP PLUG

NOTE: NS = NOT SHOWN. WHEN ORDERING, SPECIFY THE COLOR WANTED ON PARTS CONTAINING THE LETTER "P"

VERTICAL TOWER CORD REEL
NIGHT LITE PRO II

2/9/2012

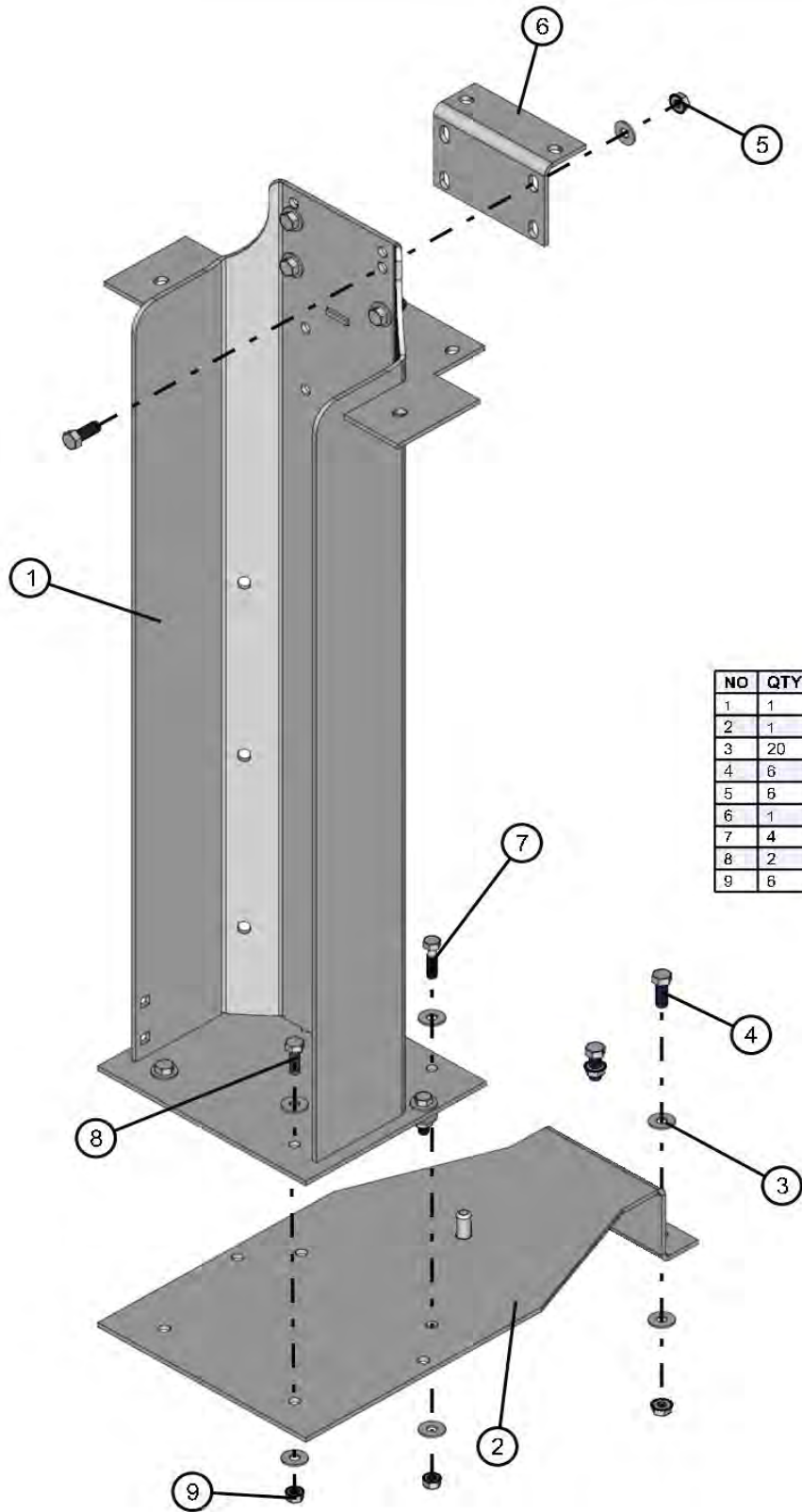


103304 - 16/8 CORD (CORD REEL)

NOTE: NS = NOT SHOWN. WHEN ORDERING, SPECIFY THE COLOR WANTED ON PARTS CONTAINING THE LETTER "P"

VERTICAL TOWER PEDESTAL NIGHT LITE PRO II

2/9/2012

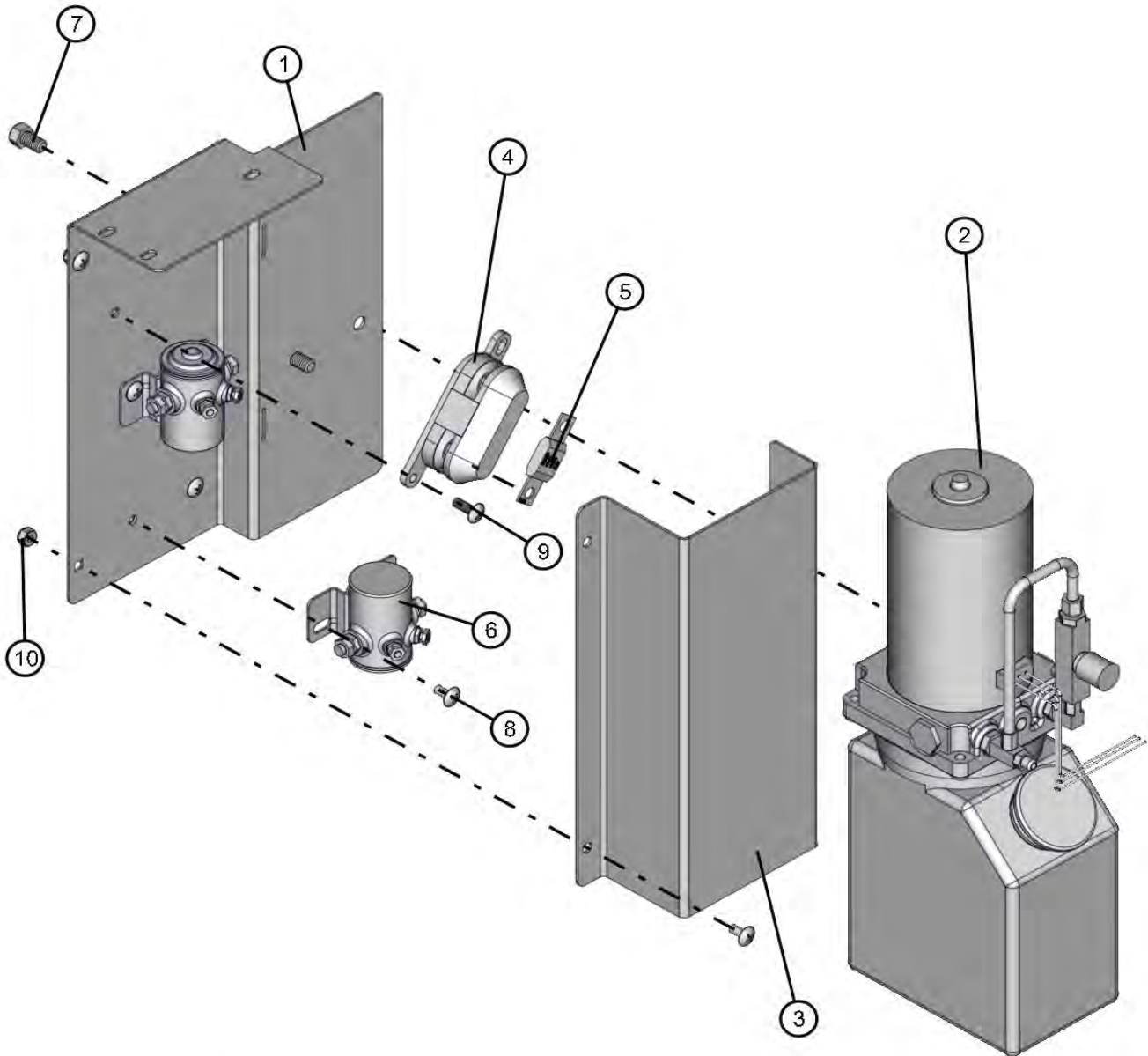


NO	QTY	PARTNO	DESCRIPTION
1	1	102766P	TOWER PEDESTAL
2	1	102788P	MOUNT
3	20	047010	5/16 FLAT WASHER PL
4	6	046110	3/8-16 X 1 HEX HEAD CS GR5 PL
5	6	044036	3/8-16 KEPS HEX NUT PL
6	1	102799P	ANGLE MOUNT
7	4	046055	5/16-18 X 1 1/4 HEX HEAD CS GR5 PL
8	2	046050	5/16-18 X 1 HEX HEAD CS GR5 PL
9	6	044031	5/16 -18 KEPS HEX NUT PL

NOTE: NS = NOT SHOWN. WHEN ORDERING, SPECIFY THE COLOR WANTED ON PARTS CONTAINING THE LETTER "P"

VERTICAL TOWER HYDRAULIC PUMP NIGHT LITE PRO II

2/9/2012

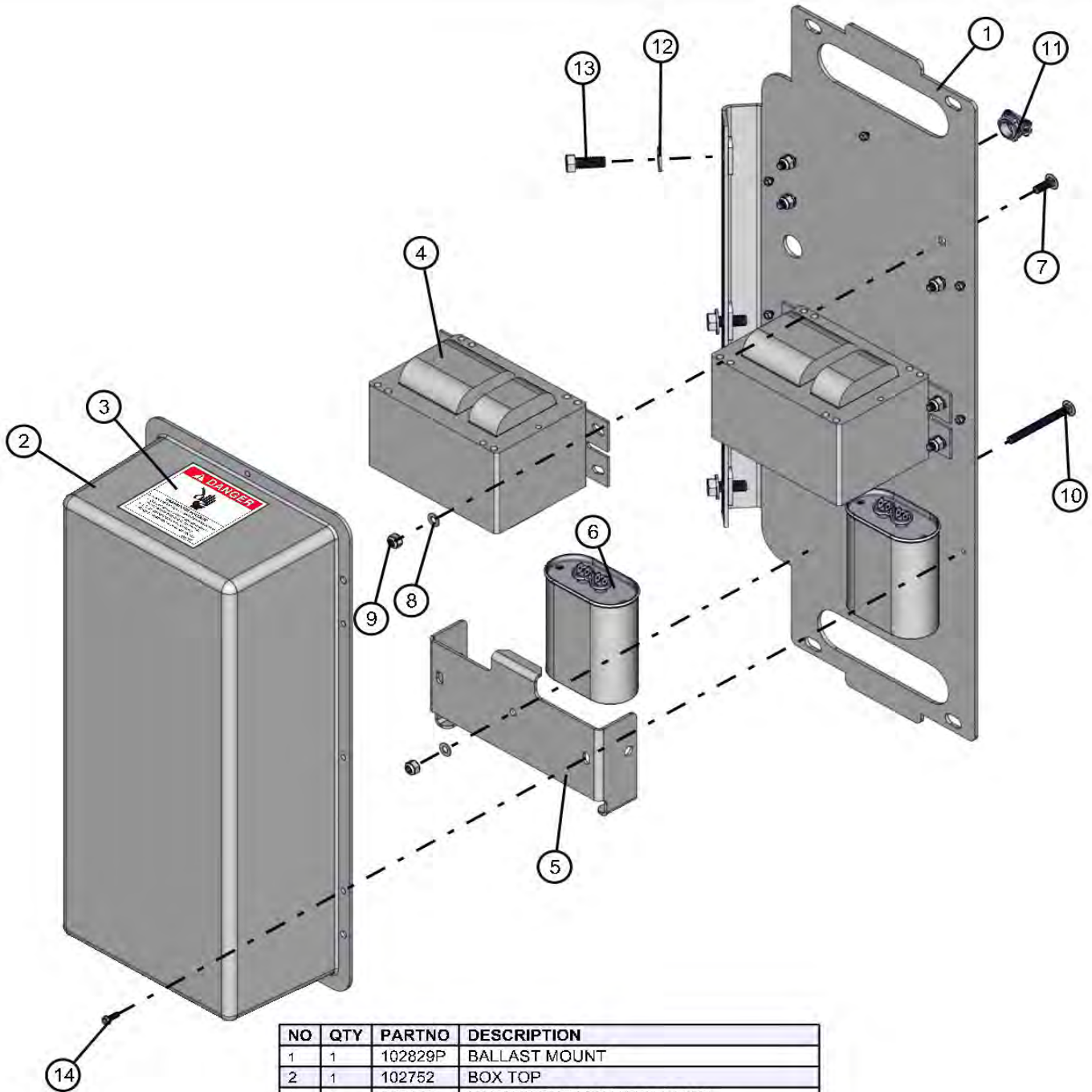


NO	QTY	PARTNO	DESCRIPTION
1	1	102795P	PUMP MOUNT
2	1	101383	HYDRAULIC POWER UNIT
3	1	102796P	COVER
4	1	100235	FUSE HOLDER
5	1	100234	125A FUSE LINK
6	2	100236	12 VDC RELAY
7	2	101384	3/8-16 x 5/8 HEX HEAD CS GR5
8	6	041078	1/4-20 X 1/2 PH-TRUSS HEAD MS SS
9	2	041050	1/4-20 X 3/4 PH-TRUSS HEAD MS SS
10	8	044023	1/4-20 NYLOCK HEX NUT PL

NOTE: NS = NOT SHOWN. WHEN ORDERING, SPECIFY THE COLOR WANTED ON PARTS CONTAINING THE LETTER "P"

1250W - 60Hz BALLAST NIGHT LITE PRO II

2/9/2012



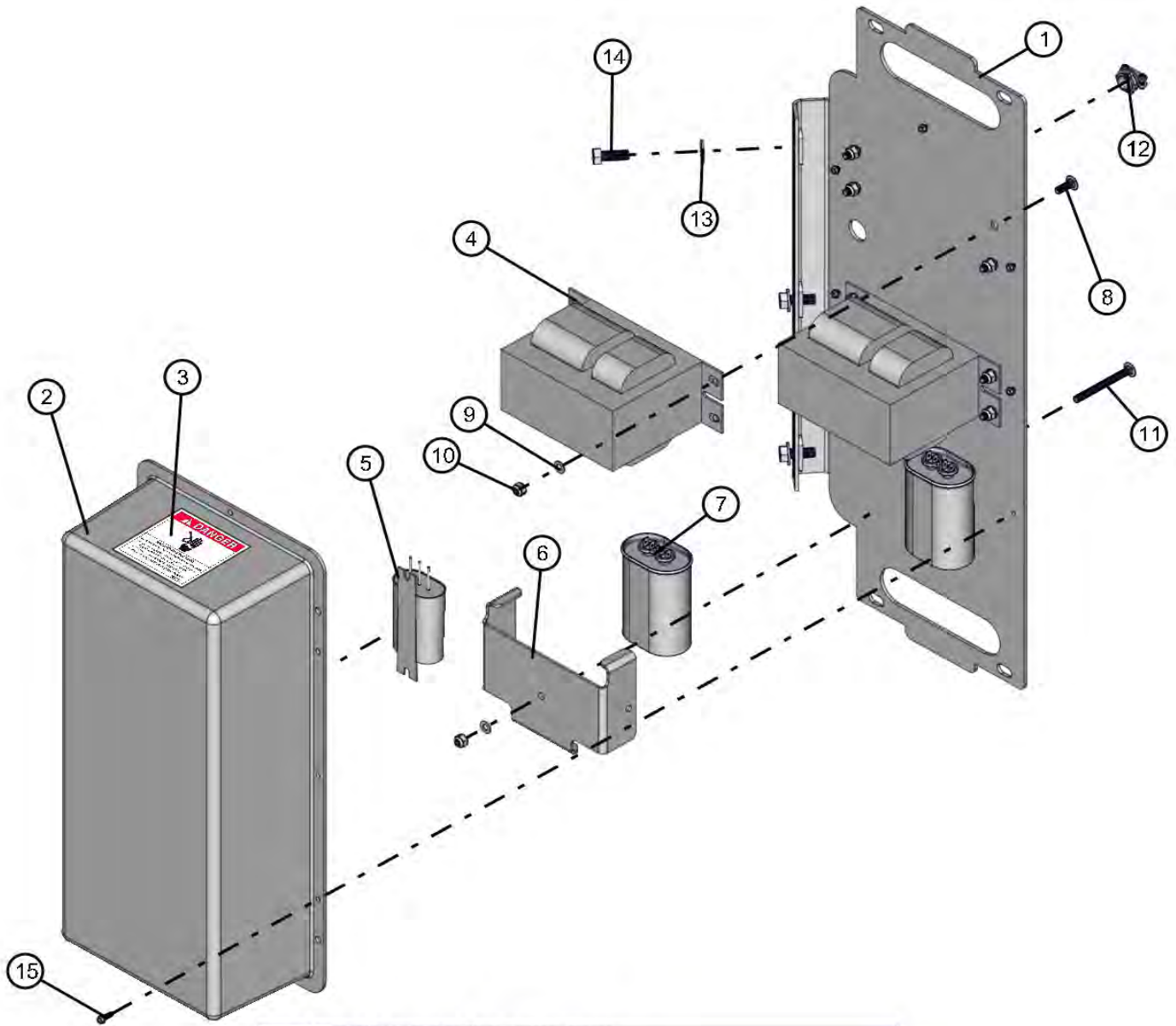
NO	QTY	PARTNO	DESCRIPTION
1	1	102829P	BALLAST MOUNT
2	1	102752	BOX TOP
3	1	090182	HAZARDOUS VOLTAGE DECAL
4	2	109606	1250W BALLAST WITH 28 uf CAPACITOR
5	1	100392P	CAPACITOR CLAMP (HPS)
6	2	100329	CAPACITOR 28 uF (HD 1250W)
7	8	053006	1/4-20 X 3/4 CARRIAGE BOLT
8	9	047009	1/4 FLAT WASHER SAE SS
9	9	044023	1/4-20 NYLOCK HEX NUT PL
10	1	100718	1/4-20 x 2 1/4 CARRIAGE BOLT
11	2	022020	3/8 2 SCREW CLAMP
12	3	047010	5/16 FLAT WASHER PL
13	3	046110	3/8-16 X 1 HEX HEAD CS GR5 PL
14	8	041029	#8-32 X 1/2 HEX WASHER HEAD TP F INDT

NS: 090159 COMBUSTABLE GAS DECAL (RIGHT SIDE BALLAST ONLY)

NOTE: NS = NOT SHOWN. WHEN ORDERING, SPECIFY THE COLOR WANTED ON PARTS CONTAINING THE LETTER "P"

1000W - 60 Hz (HPS) BALLAST NIGHT LITE PRO II

2/9/2012



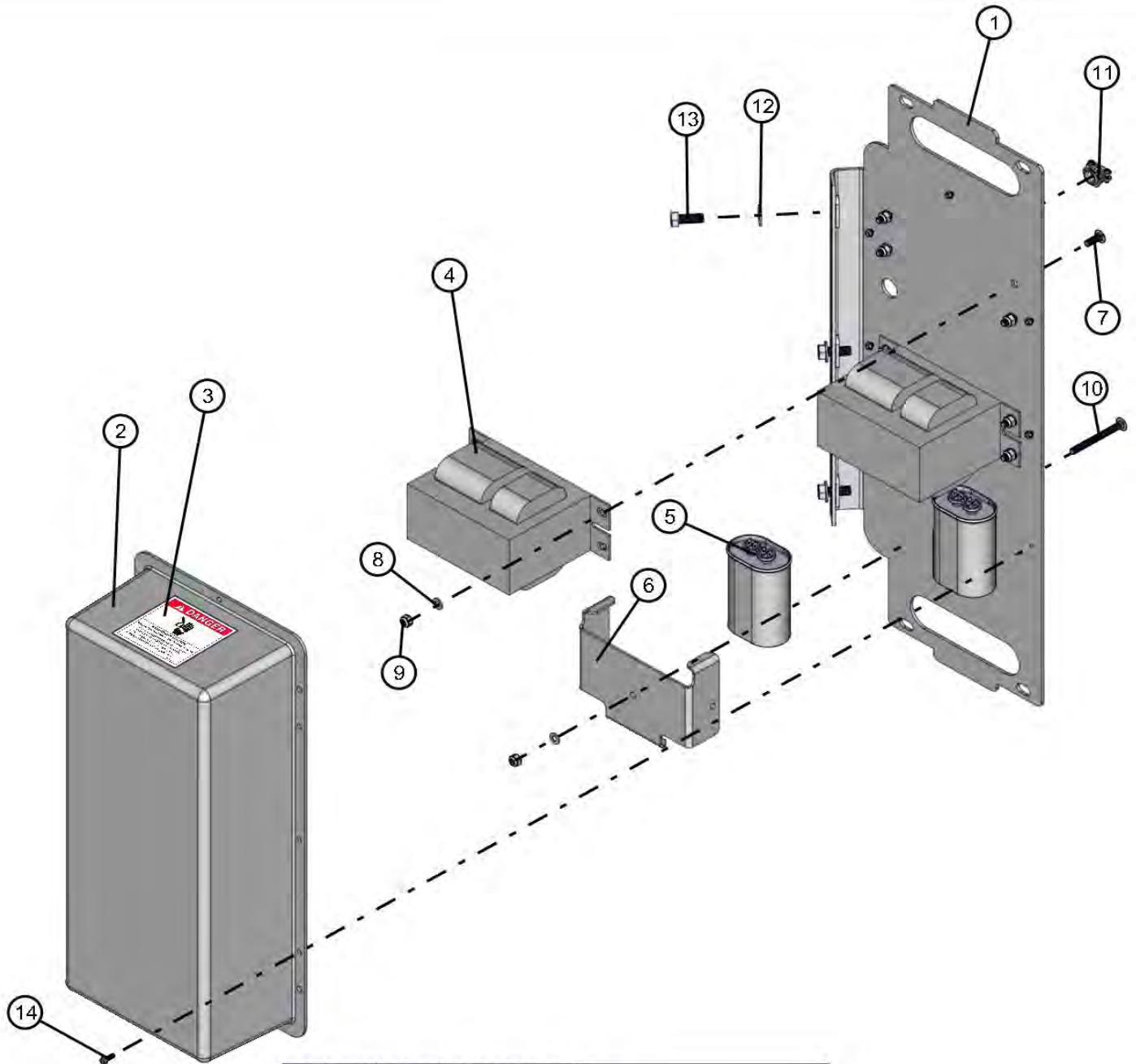
NO	QTY	PARTNO	DESCRIPTION
1	1	102829P	BALLAST MOUNT
2	1	102752	BOX TOP
3	1	090162	HAZARDOUS VOLTAGE DECAL
4	2	310118	BALLAST 1000W 60Hz (HPS)
5	1	028015	LAMP IGNITOR
6	1	680608P	CAPACITOR CLAMP
7	2	310119	CAPACITOR 26 uF & IGNITOR
8	8	053006	1/4-20 X 3/4 CARRIAGE BOLT
9	9	047009	1/4 FLAT WASHER SAE SS
10	9	044023	1/4-20 NYLOCK HEX NUT PL
11	1	100718	1/4-20 x 2 1/4 CARRIAGE BOLT
12	2	022020	3/8 2 SCREW CLAMP
13	3	047010	5/16 FLAT WASHER PL
14	3	046110	3/8-16 X 1 HEX HEAD CS GR5 PL
15	8	041029	#8-32 X 1/2 HEX WASHER HEAD TP F INDT

NS: 090159 - COMBUSTABLE GAS DECAL (RIGHT SIDE BALLAST ONLY)

NOTE: NS = NOT SHOWN. WHEN ORDERING, SPECIFY THE COLOR WANTED ON PARTS CONTAINING THE LETTER "P"

1000W - 50Hz BALLAST NIGHT LITE PRO II

2/9/2012



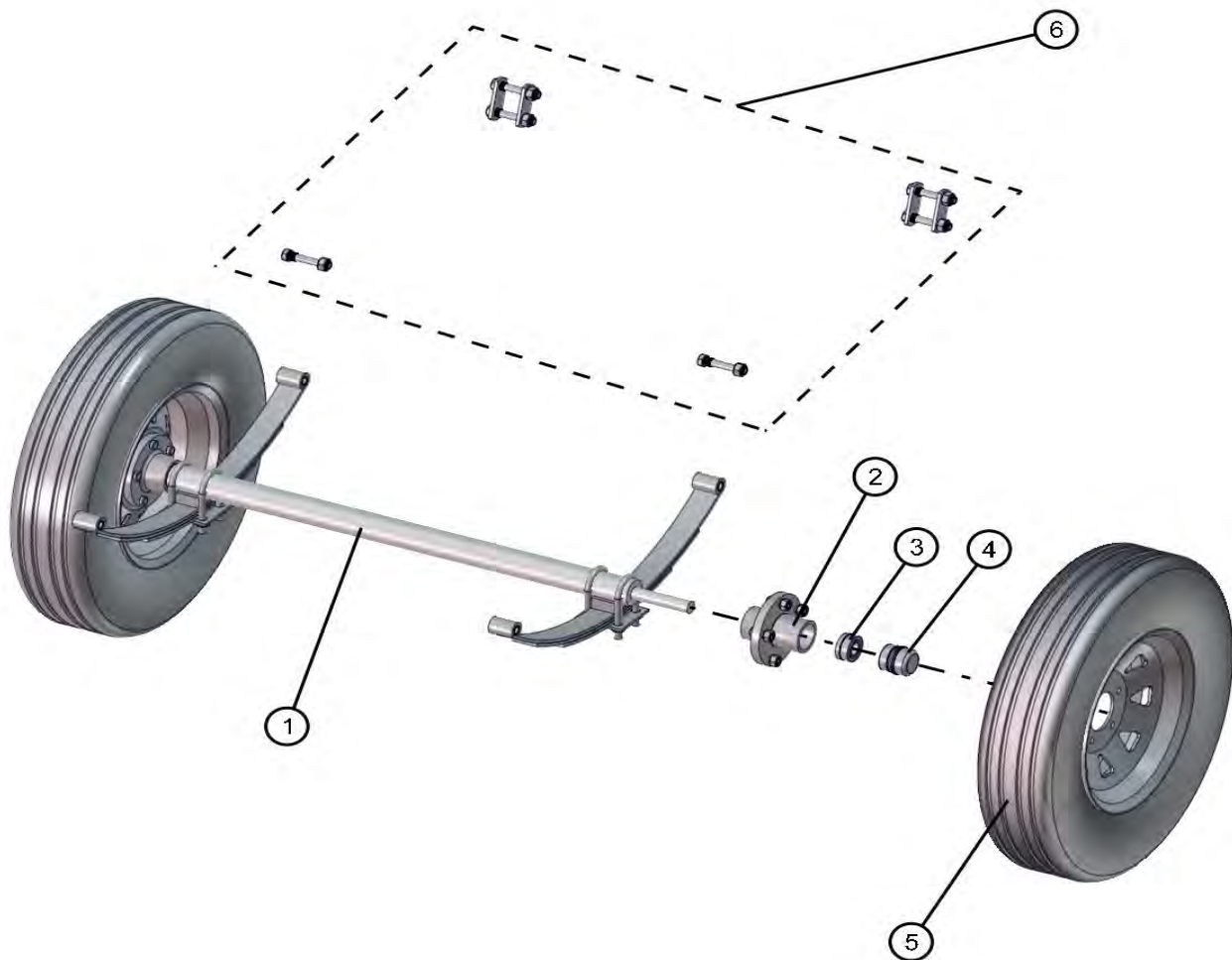
NO	QTY	PARTNO	DESCRIPTION
1	1	102829P	BALLAST MOUNT
2	1	102752	BOX TOP
3	1	090162	HAZARDOUS VOLTAGE DECAL
4	2	310116A	50Hz BALLAST
5	2	310115A	CAPACITOR (ONLY) 50Hz 26uF
6	1	680608P	CAPACITOR CLAMP
7	8	053006	1/4-20 X 3/4 CARRIAGE BOLT
8	9	047009	1/4 FLAT WASHER SAE SS
9	9	044023	1/4-20 NYLOCK HEX NUT PL
10	1	100718	1/4-20 x 2 1/4 CARRIAGE BOLT
11	2	022020	3/8 2 SCREW CLAMP
12	3	047010	5/16 FLAT WASHER PL
13	3	046110	3/8-16 X 1 HEX HEAD CS GR5 PL
14	8	041029	#8-32 X 1/2 HEX WASHER HEAD TP F INDT

NS: 090159 - COMBUSTABLE GAS DECAL (RIGHT SIDE BALLAST ONLY)

NOTE: NS = NOT SHOWN. WHEN ORDERING, SPECIFY THE COLOR WANTED ON PARTS CONTAINING THE LETTER "P"

AXLE NIGHT LITE PRO II

2/9/2012



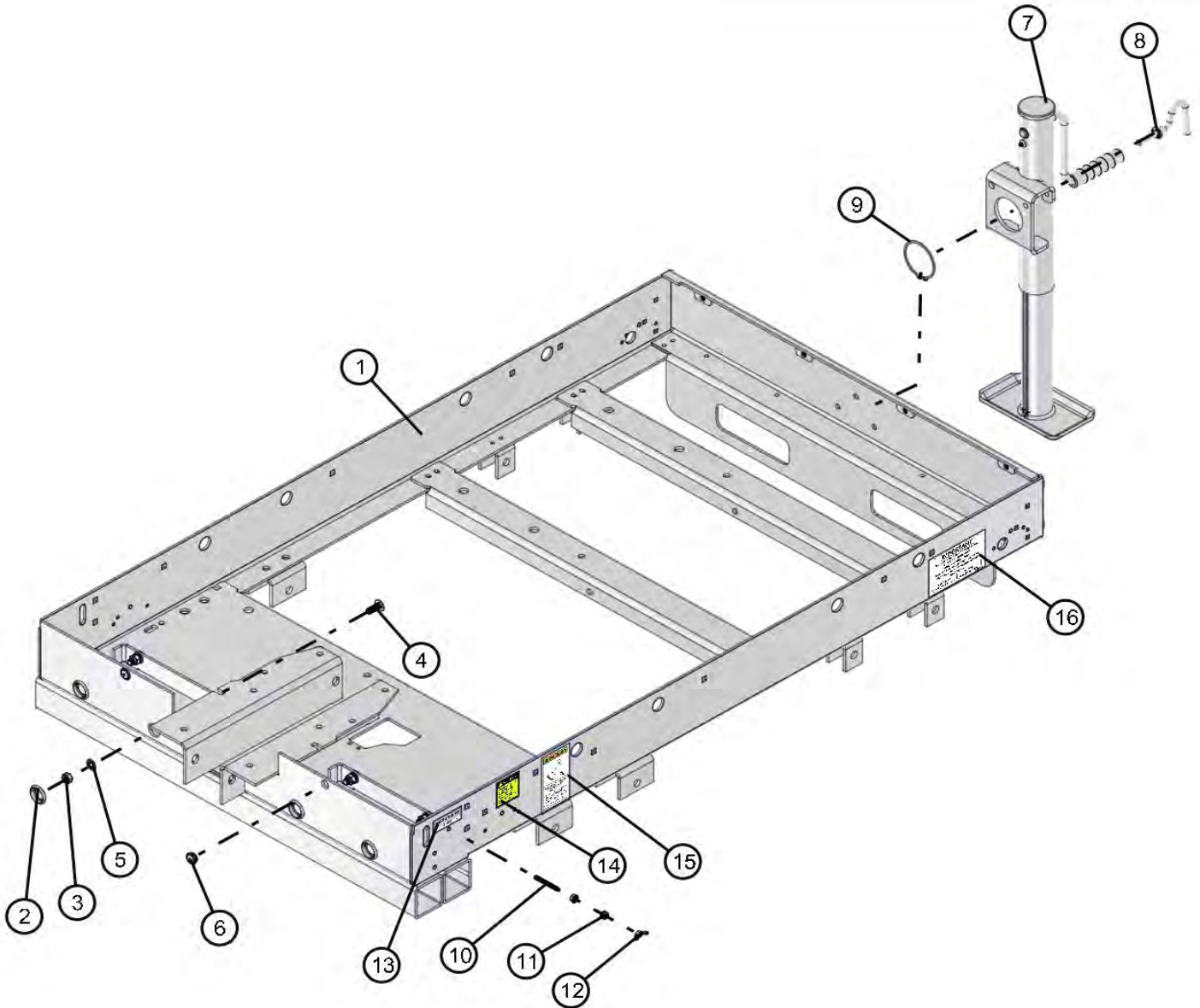
NO	QTY	PARTNO	DESCRIPTION
1	1	650100	AXLE
2	1	712111	HUB
3	1	712111B	BEARING/SEAL
4	1	712111C	GREASE CAP
5	2	650387	13" WHEEL TIRE ASSEMBLY
6	1	102105	AXLE HARDWARE KIT

NOTE: NOT USED WITH CE SPEC.

NOTE: NS = NOT SHOWN. WHEN ORDERING, SPECIFY THE COLOR WANTED ON PARTS CONTAINING THE LETTER "P"

FRAME NIGHT LITE PRO II

2/9/2012



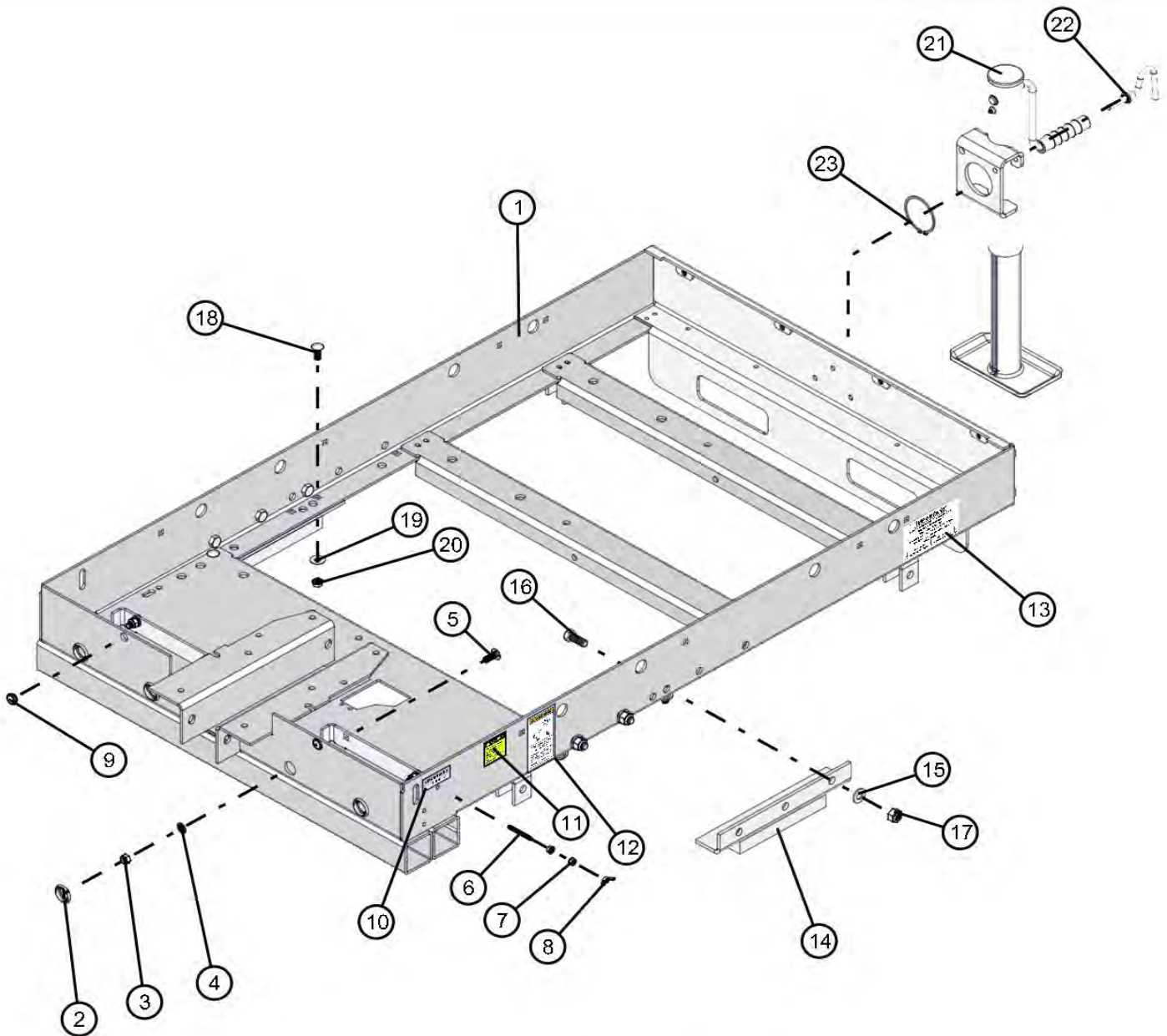
NO	QTY	PARTNO	DESCRIPTION
1	1	102756P	FRAME
2	4	064025	1 1/16 PLASTIC PLUG
3	4	044038	3/8-16 NYLOCK HEX NUT PL
4	4	053028	3/8-16 X 1 CARRIAGE BOLT PL
5	4	045218	3/8 PUSH NUT
6	2	433329	5/8 PLASTIC PLUG

NO	QTY	PARTNO	DESCRIPTION
10	1	045004	1/4-20 X 2 STUD PL
11	2	044021	1/4-20 KEPS HEX NUT PL
12	1	330494	1/4-20 WING NUT
13	1	090133	GROUNDING LUG DECAL
14	1	090474	WINCH CAUTION DECAL
15	1	090166	OVERHEAD HAZARD DECAL
16	1	101076	FLUID CONTAINMENT SYSTEM DECAL

NOTE: NS = NOT SHOWN. WHEN ORDERING, SPECIFY THE COLOR WANTED ON PARTS CONTAINING THE LETTER "P"

CE SPEC FRAME NIGHT LITE PRO II

2/9/2012



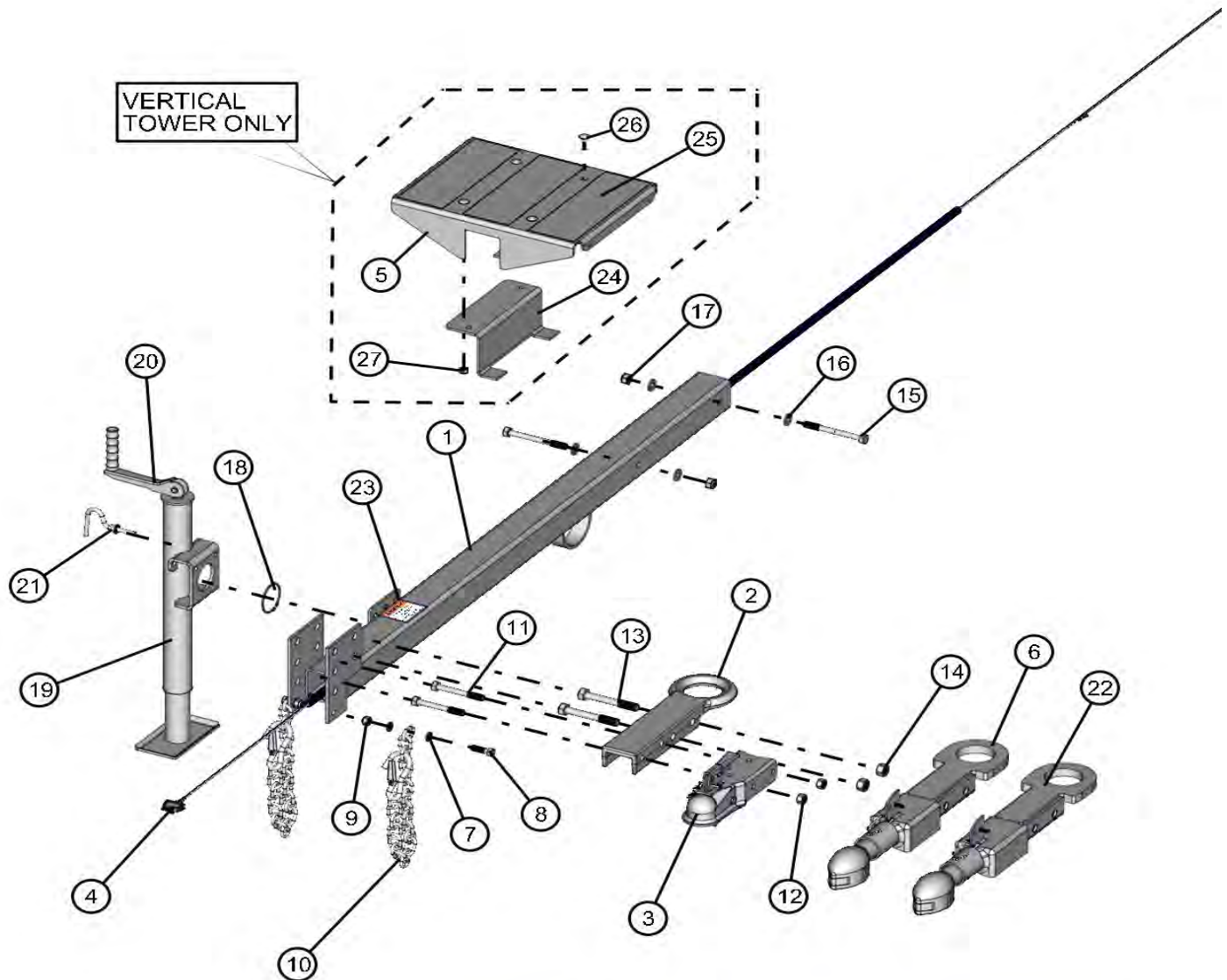
NO	QTY	PARTNO	DESCRIPTION
1	1	102845P	ALCO FRAME
2	4	064025	1 1/16 PLASTIC PLUG
3	4	044038	3/8-16 NYLOCK HEX NUT PL
4	4	045218	3/8 PUSH NUT
5	4	053028	3/8-16 X 1 CARRIAGE BOLT PL
6	1	045004	1/4-20 X 2 STUD PL
7	2	044021	1/4-20 KEPS HEX NUT PL
8	1	330494	1/4-20 WING NUT
9	2	433329	5/8 PLASTIC PLUG
10	1	090133	GROUNDING LUG DECAL
11	1	090474	WINCH CAUTION DECAL
12	1	090166	OVERHEAD HAZARD DECAL

NO	QTY	PARTNO	DESCRIPTION
13	1	101076	FLUID CONTAINMENT SYSTEM DECAL
14	2	103286P	ANGLE MOUNT
15	6	047025	1/2 FLAT WASHER PL
16	6	046180	1/2-13 X 1 1/4 HEX HEAD CS GR5 PL
17	6	044048	1/2-13 NYLOCK HEX NUT PL
18	4	053028	3/8-16 X 1 CARRIAGE BOLT PL
19	4	047015	3/8 FLAT WASHER PL
20	4	044036	3/8-16 KEPS HEX NUT PL
21	1	650235	JACK SIDE CRANK
22	1	330012A	LOCK HANDLE REPLACEMENT KIT
23	1	330014	2 5/6 XT JACK SNAP RING

NOTE: NS = NOT SHOWN. WHEN ORDERING, SPECIFY THE COLOR WANTED ON PARTS CONTAINING THE LETTER "P"

TONGUE NIGHT LITE PRO II

2/9/2012



NO	QTY	PARTNO	DESCRIPTION
1	1	650398P	TONGUE W/ SNAP RING MOUNT
2	1	712540-15	PINTLE HITCH
3	1	712021	2" BALL SAE CLASS 2
4	1	101116	TAIL LIGHT HARNESS
5	1	101051P	PLATFORM
6	1	300775P	2" HITCH (OPTION)
7	4	047075	7/16 FLAT WASHER SAE ZC
8	2	046160	7/16-14 X 1 1/2 HEX HEAD CS GR5 PL
9	2	044043	7/16-14 NYLOCK HEX NUT PL
10	2	049040	SAFETY CHAIN
11	2	046220	1/2-13 X 4 HEX HEAD CS GR5 PL
12	2	044062	1/2-13 TOPLOCK HEX NUT PL
13	2	046250	5/8-11 X 4 1/2 HEX HEAD CS GR5 PL
14	2	044061	5/8-11 TOPLOCK HEX NUT PL

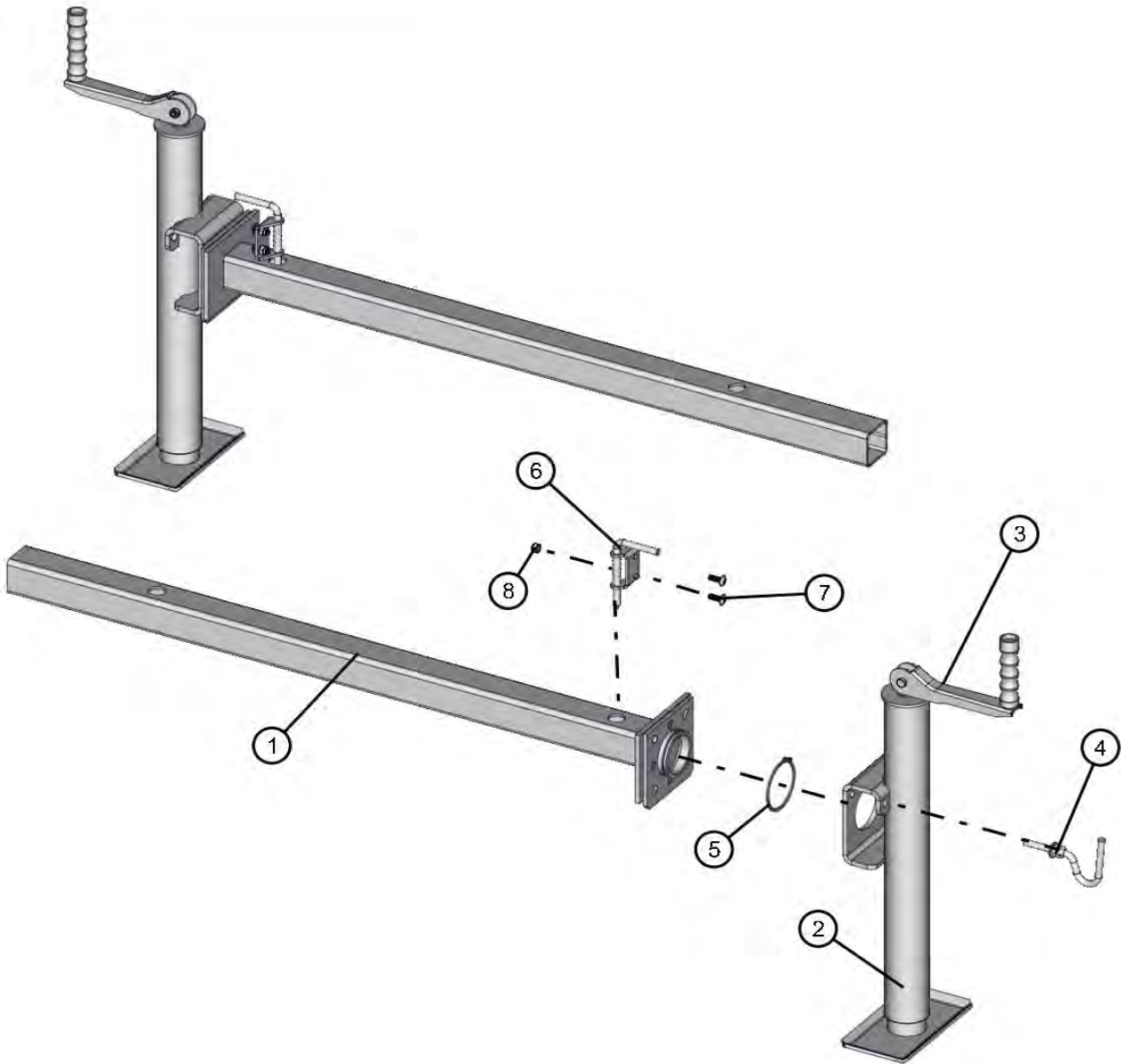
NO	QTY	PARTNO	DESCRIPTION
15	2	046230	1/2-13 X 5 HEX HEAD CS GR5 PL
16	4	047025	1/2 FLAT WASHER PL
17	2	044048	1/2-13 NYLOCK HEX NUT PL
18	1	330014	2 5/6 XT JACK SNAP RING
19	1	102089	TONGUE JACK 15"
20	1	330012	REPLACEMENT JACK HANDLE KIT
21	1	330012A	LOCK HANDLE REPLACEMENT KIT
22	1	680489P	2 5/16" HITCH (OPTION)
23	1	090160	EXCESS TOWING DECAL
24	2	101050	ATTACHMENT BRACKET
25	3	062005	ANTI SKID TAPE
26	4	100670	3/8-16 X 1 1/4 CARRIAGE BOLT
27	4	044038	3/8-16 NYLOCK HEX NUT PL

NOTE: NOT USED WITH CE SPEC.

NOTE: NS = NOT SHOWN. WHEN ORDERING, SPECIFY THE COLOR WANTED ON PARTS CONTAINING THE LETTER "P"

OUTRIGGERS NIGHT LITE PRO II

2/9/2012

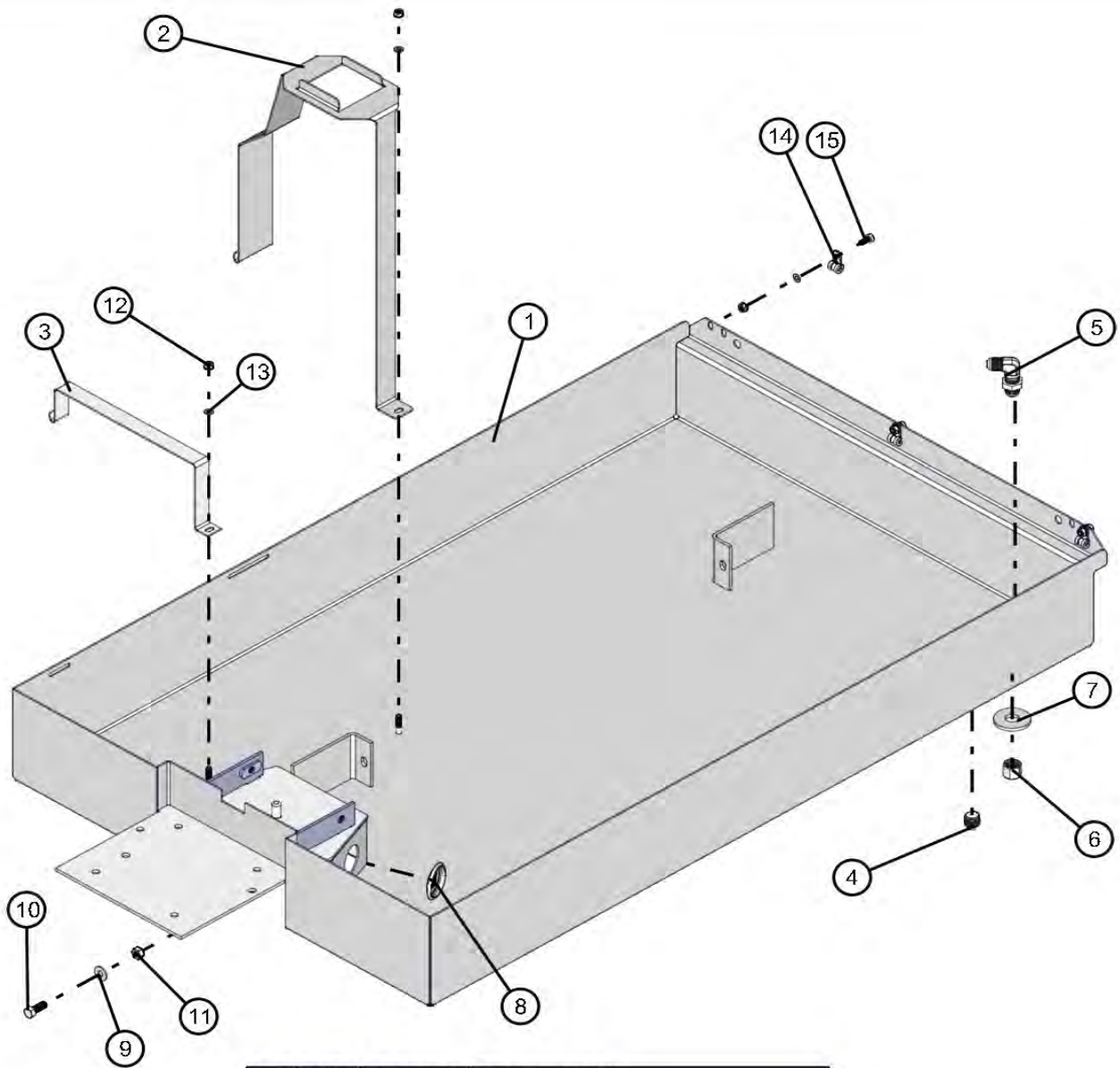


NO	QTY	PARTNO	DESCRIPTION
1	2	102809-15	OUTRIGGER
2	2	330008	SHORT TOP CRANK JACK
3	1	330012	REPLACEMENT JACK HANDLE KIT
4	1	330012A	LOCK HANDLE REPLACEMENT KIT
5	2	330014	2 5/6 XT JACK SNAP RING
6	2	650723	RIGHT RETENTION PIN
7	4	041050	1/4-20 X 3/4 PH-TRUSS HEAD MS SS
8	4	044023	1/4-20 NYLOCK HEX NUT PL

NOTE: NS = NOT SHOWN. WHEN ORDERING, SPECIFY THE COLOR WANTED ON PARTS CONTAINING THE LETTER "P"

CONTAINMENT TRAY NIGHT LITE PRO II

2/9/2012

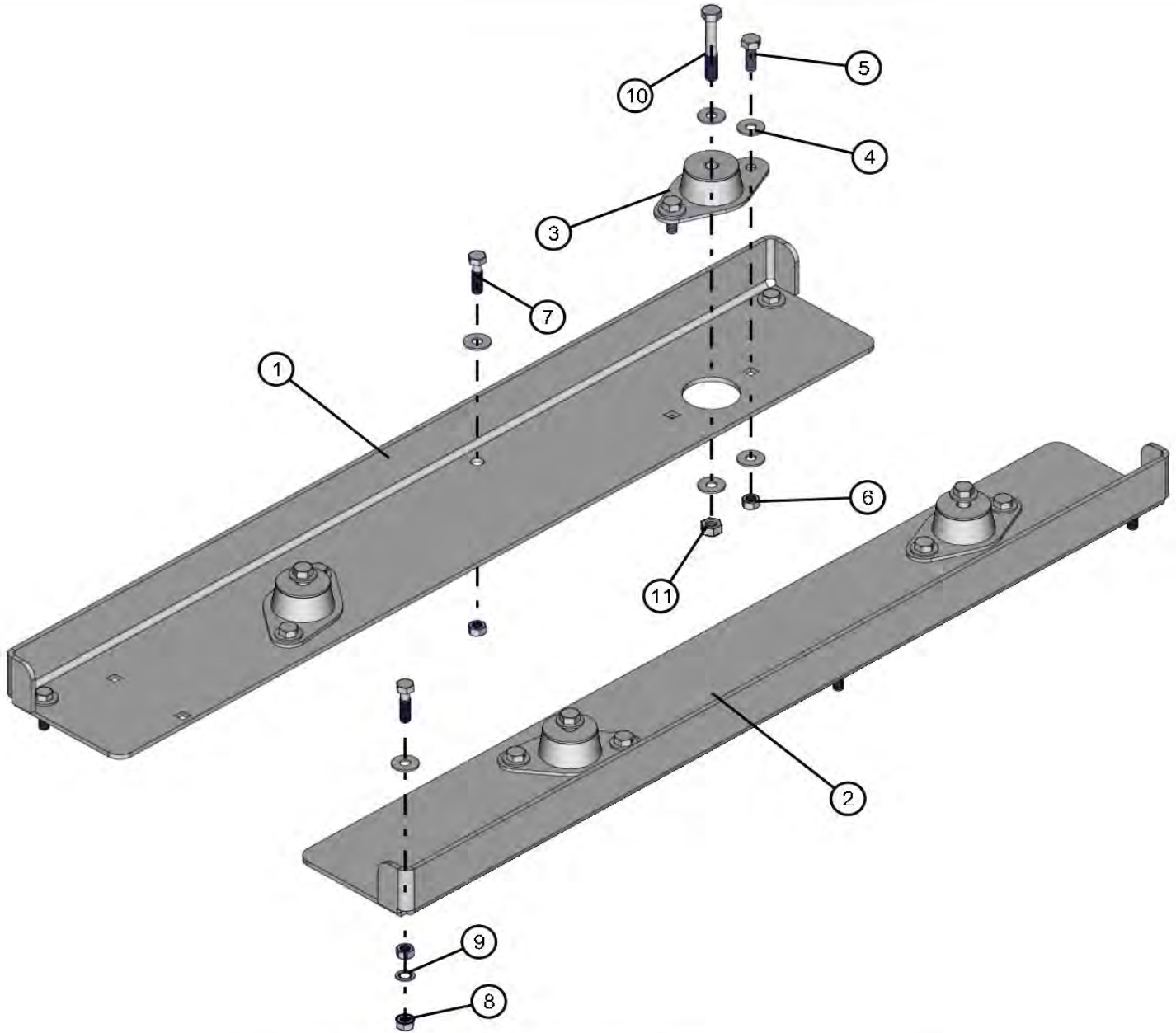


NO	QTY	PARTNO	DESCRIPTION
1	1	102813P	FCS TRAY
2	1	102821P	TANK STRAP
3	1	102820P	BATTERY STRAP
4	1	026106	1/2 NPT SQ HD PLUG
5	1	100601	JIC 90 DEG FITTING
6	1	100602	JIC CAP
7	1	047035	3/4 FLAT WASHER PL
8	1	680878	1 3/4 CAPLUG
9	2	047010	5/16 FLAT WASHER PL
10	2	046110	3/8-16 X 1 HEX HEAD CS GR5 PL
11	2	044038	3/8-16 NYLOCK HEX NUT PL
12	5	044021	1/4-20 KEPS HEX NUT PL
13	5	047009	1/4 FLAT WASHER SAE SS
14	3	022015	# 4 CUSHION CLAMP
15	3	046006	1/4-20 X 5/8 HEX HEAD CS GR5 PL

NOTE: NS = NOT SHOWN. WHEN ORDERING, SPECIFY THE COLOR WANTED ON PARTS CONTAINING THE LETTER "P"

ENGINE RAILS NON CONTAINMENT TRAY NIGHT LITE PRO II

2/9/2012

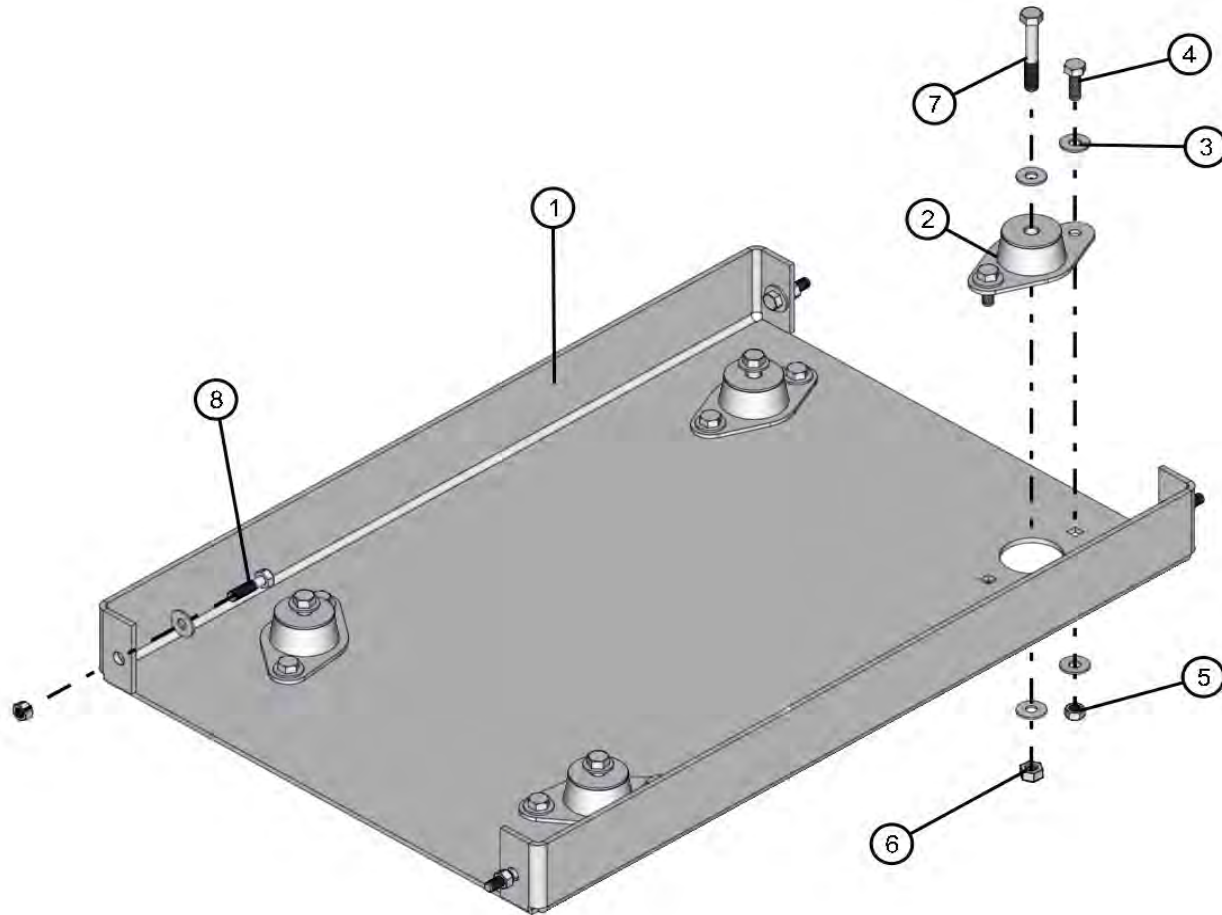


NO	QTY	PARTNO	DESCRIPTION
1	1	102794P	RT ENGINE RAIL
2	1	102793P	LT ENGINE RAIL
3	4	650259	ENGINE MOUNT
4	30	047010	5/16 FLAT WASHER PL
5	8	046050	5/16-18 X 1 HEX HEAD CS GR5 PL
6	14	044030	5/16-18 HEX NUT PL
7	6	046055	5/16-18 X 1 1/4 HEX HEAD CS GR5 PL
8	1	044031	5/16 -18 KEPS HEX NUT PL
9	1	043060	5/16 INTL TOOTH LOCK WASHER
10	4	046134	3/8-16 X 2 1/2 HEX HEAD CS GR8 PL
11	4	044038	3/8-16 NYLOCK HEX NUT PL

NOTE: NS = NOT SHOWN. WHEN ORDERING, SPECIFY THE COLOR WANTED ON PARTS CONTAINING THE LETTER "P"

CONTAINMENT TRAY ENGINE PAN NIGHT LITE PRO II

2/9/2012

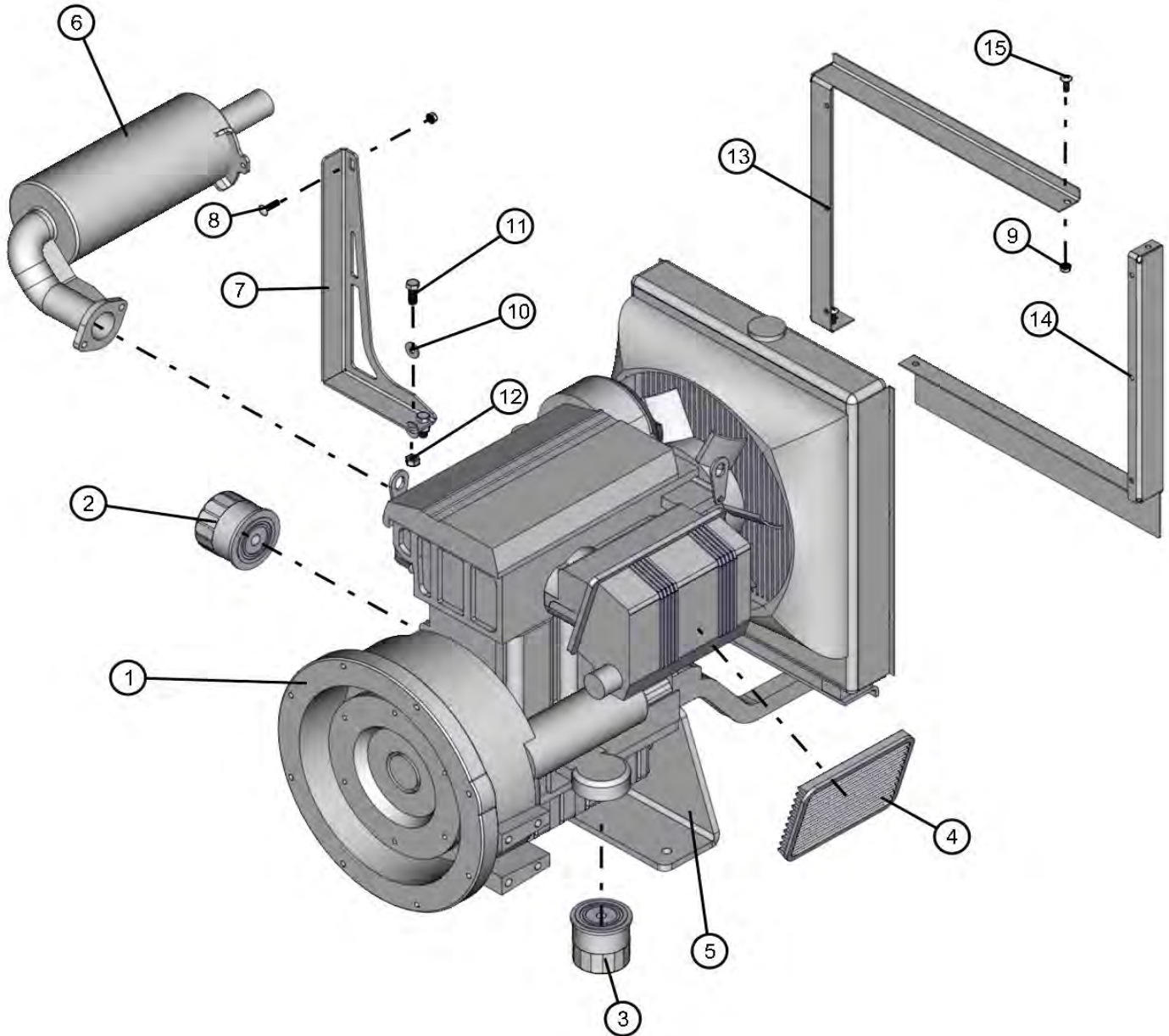


NO	QTY	PARTNO	DESCRIPTION
1	1	102822P	ENGINE PAN
2	4	650259	ENGINE MOUNT
3	28	047010	5/16-18 X 1 FLAT WASHER PL
4	8	046050	5/16-18 X 1 HEX HEAD CS GR5 PL
5	12	044030	5/16-18 HEX NUT PL
6	4	044038	3/8-16 NYLOCK HEX NUT PL
7	4	046134	3/8-16 X 2 1/2 HEX HEAD CS GR8 PL
8	4	046055	5/16-18 X 1 1/4 HEX HEAD CS GR5 PL

NOTE: NS = NOT SHOWN. WHEN ORDERING, SPECIFY THE COLOR WANTED ON PARTS CONTAINING THE LETTER "P"

KOHLER ENGINE NIGHT LITE PRO II

2/9/2012



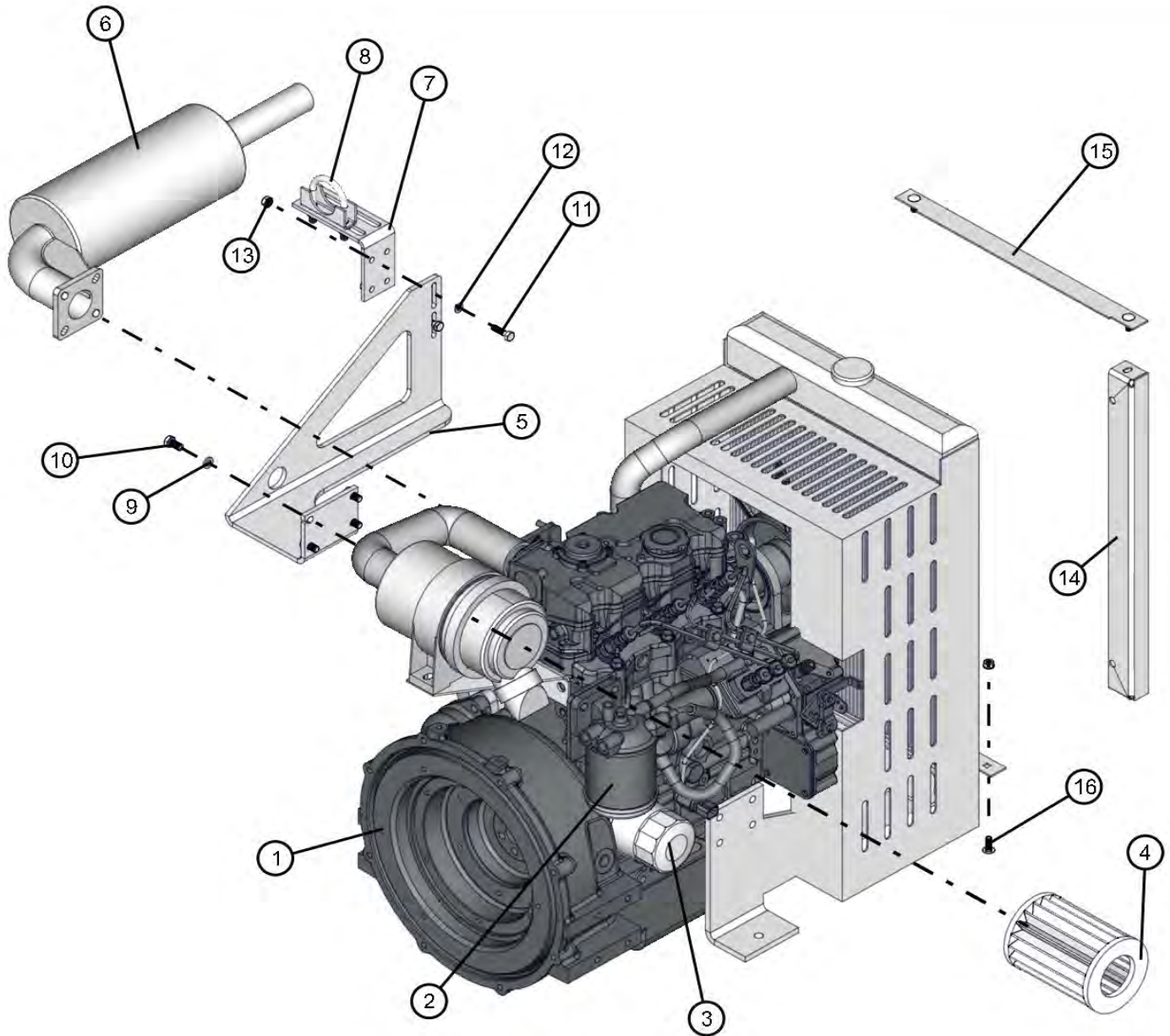
NO	QTY	PARTNO	DESCRIPTION
1	1	650830	KOHLER LDW 1003 W/HOUR METER
2	1	650011	KOHLER OIL FILTER
3	1	650010	KOHLER FUEL FILTER
4	1	650012	KOHLER AIR FILTER
5	1	109718P	ENGINE MOUNT
6	1	109803	MUFFLER
7	1	100707P	MUFFLER BRACE
8	1	100342	1/4-20 X 1 CARRIAGE BOLT PL

NO	QTY	PARTNO	DESCRIPTION
9	3	044021	1/4-20 KEPS HEX NUT PL
10	2	047010	5/16 FLAT WASHER PL
11	2	046110	3/8-16 X 1 HEX HEAD CS GR5 PL
12	2	044038	3/8-16 NYLOCK HEX NUT PL
13	1	103061P	SHROUD TOP/RIGHT
14	1	103060P	SHROUD BTM/LEFT
15	2	041050	1/4-20 X 3/4 PH-TRUSS HEAD MS SS

NOTE: NS = NOT SHOWN. WHEN ORDERING, SPECIFY THE COLOR WANTED ON PARTS CONTAINING THE LETTER "P"

CAT ENGINE NIGHT LITE PRO II

2/9/2012



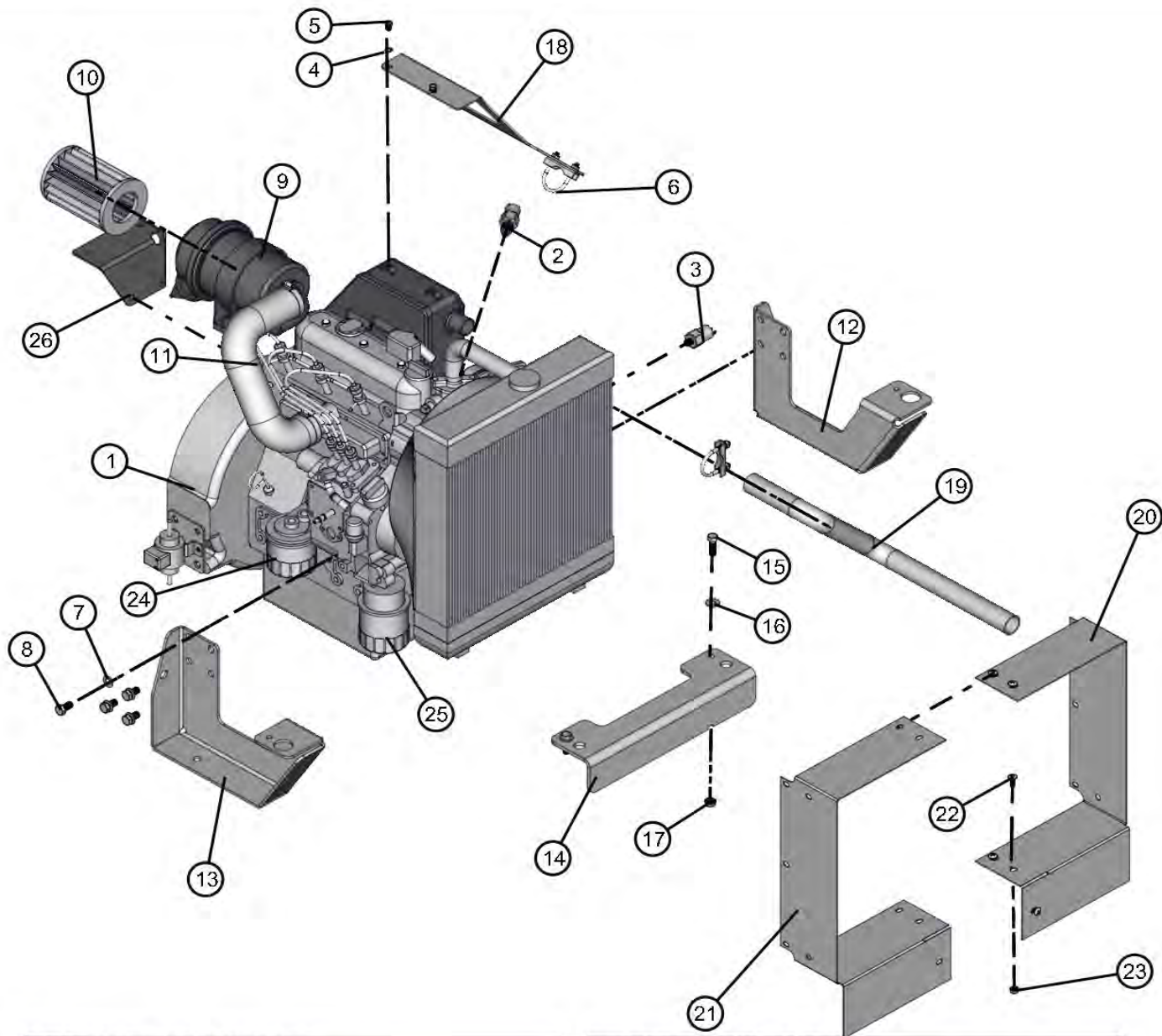
NO	QTY	PARTNO	DESCRIPTION
1	1	352236	CAT C1.1 8kW
2	1	650305	CAT FUEL FILTER
3	1	650304	CAT OIL FILTER
4	1	650303	AIR FILTER ELEMENT CAT
5	1	100705P	BRACKET
6	1	101082	NETT MUFFLER
7	1	100706P	MUFFLER BRACKET
8	1	340111	1-1/2 MUFFLER CLAMP
9	4	043055	5/16 SPLITLOCK WASHER

NO	QTY	PARTNO	DESCRIPTION
10	4	042027	M8 X 16mm X 1.25mm HEX HEAD CS GR10.9 PL
11	2	046015	1/4-20 X 1 HEX HEAD CS GR5 PL
12	2	047009	1/4 FLAT WASHER SAE SS
13	6	044021	1/4-20 KEPS HEX NUT PL
14	2	102932P	SHROUD
15	2	102933P	TOP/ BOT SHROUD
16	4	053006	1/4-20 X 3/4 CARRIAGE BOLT

NOTE: NS = NOT SHOWN. WHEN ORDERING, SPECIFY THE COLOR WANTED ON PARTS CONTAINING THE LETTER "P"

KUBOTA ENGINE NIGHT LITE PRO II

2/9/2012



NO	QTY	PARTNO	DESCRIPTION
1	1	102094	KUBOTA D1105 EBG
2	1	340302	HIGH TEMP SWITCH
3	1	340301	OIL PRESSURE SWITCH
4	2	043050	1/4 INTL TOOTH LOCK WASHER
5	2	042018	M6 X 1.0mm X 10mm HEX HEAD CS GR8.8 PL
6	2	713086	1 3/8 MUFFLER CLAMP
7	8	047016	3/8 FLAT WASHER SAE PL
8	8	042038	M10 X 20mm X 1.25mm HEX HEAD CS GR8.8 PL
9	1	650262	AIR CLEANER
10	1	650290	AIR FILTER ELEMENT
11	1	101734	AIR CLEANER HOSE
12	1	109711P	LEFT FOOT
13	1	109710P	RIGHT FOOT
14	1	109709P	CROSSMEMBER

NO	QTY	PARTNO	DESCRIPTION
15	2	046115	3/8-16 X 1 1/4 HEX HEAD CS GR5 PL
16	2	047010	5/16 FLAT WASHER PL
17	2	044036	3/8-16 KEPS HEX NUT PL
18	1	103068P	TAILPIPE MOUNT
19	1	109800	TAIL PIPE
20	1	103055P	RIGHT SHROUD
21	1	103056P	LEFT SHROUD
22	5	041050	1/4-20 X 3/4 PH-TRUSS HEAD MS SS
23	5	044021	1/4-20 KEPS HEX NUT PL
24	1	920745	FUEL FILTER
25	1	920743	OIL FILTER
26	1	103039P	MOUNT

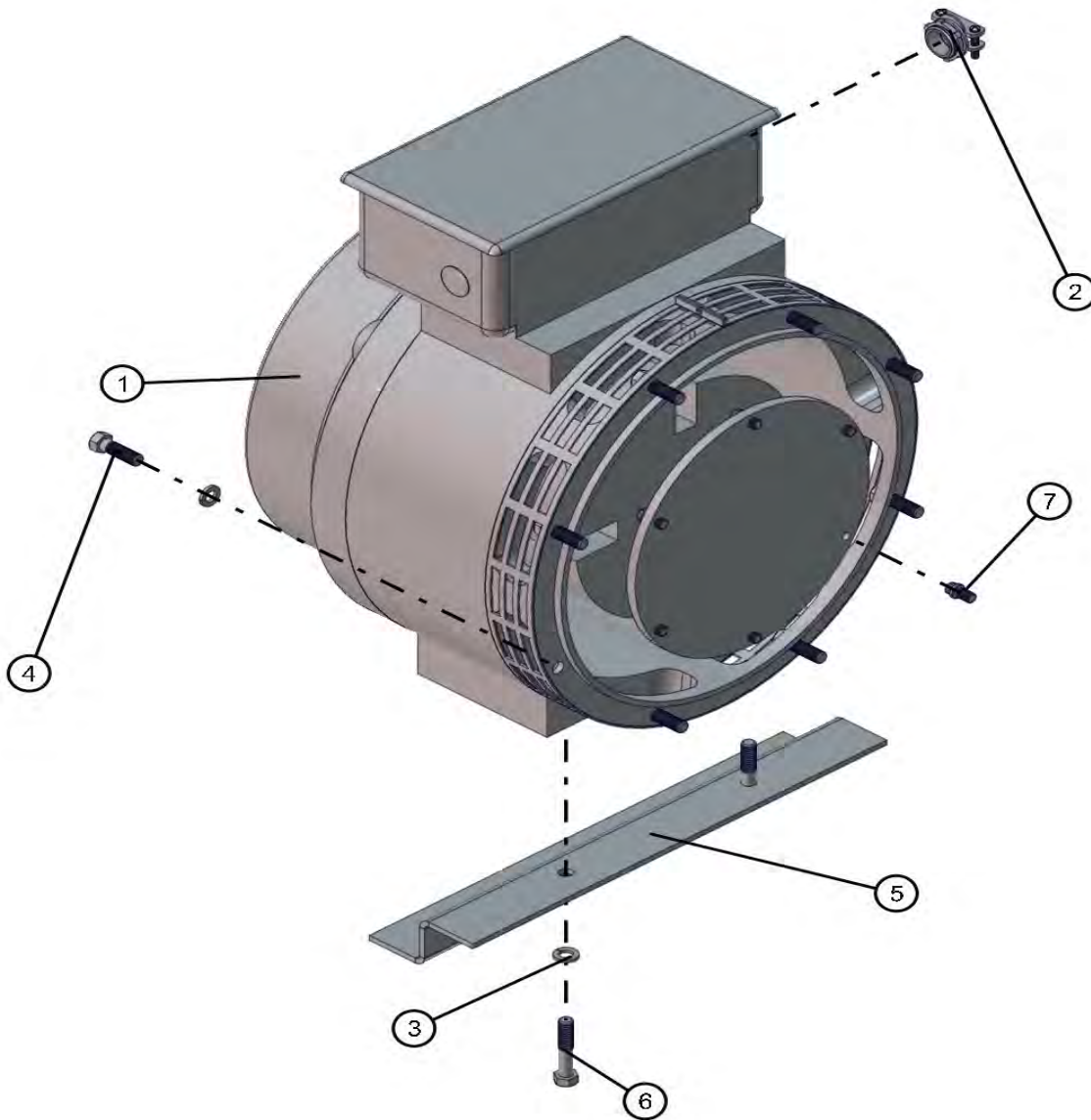
NS: 650027 KUBOTA RECOVERY TANK

NOTE: NS = NOT SHOWN. WHEN ORDERING, SPECIFY THE COLOR WANTED ON PARTS CONTAINING THE LETTER "P"

MARATHON GENERATOR NIGHT LITE PRO II

2/9/2012

CE SPEC USES 650286 - 6kW 50Hz MARATHON GENERATOR



NO	QTY	PARTNO	DESCRIPTION
1	1	101075	8KW 60 HZ MARATHON GENERATOR
2	1	022025	3/4 2-SCREW ROMEX CLAMP
3	10	043065	3/8 SPLITLOCK WASHER PL
4	8	046115	3/8-16 X 1 1/4 HEX HEAD CS GR5 PL
5	1	651012P	GENERATOR MOUNT
6	2	046130	3/8-16 X 2 HEX HEAD CS GR5 PL
7	6	046041	5/16-18 x 1/2 12 PT FLANGE HEAD BOLT

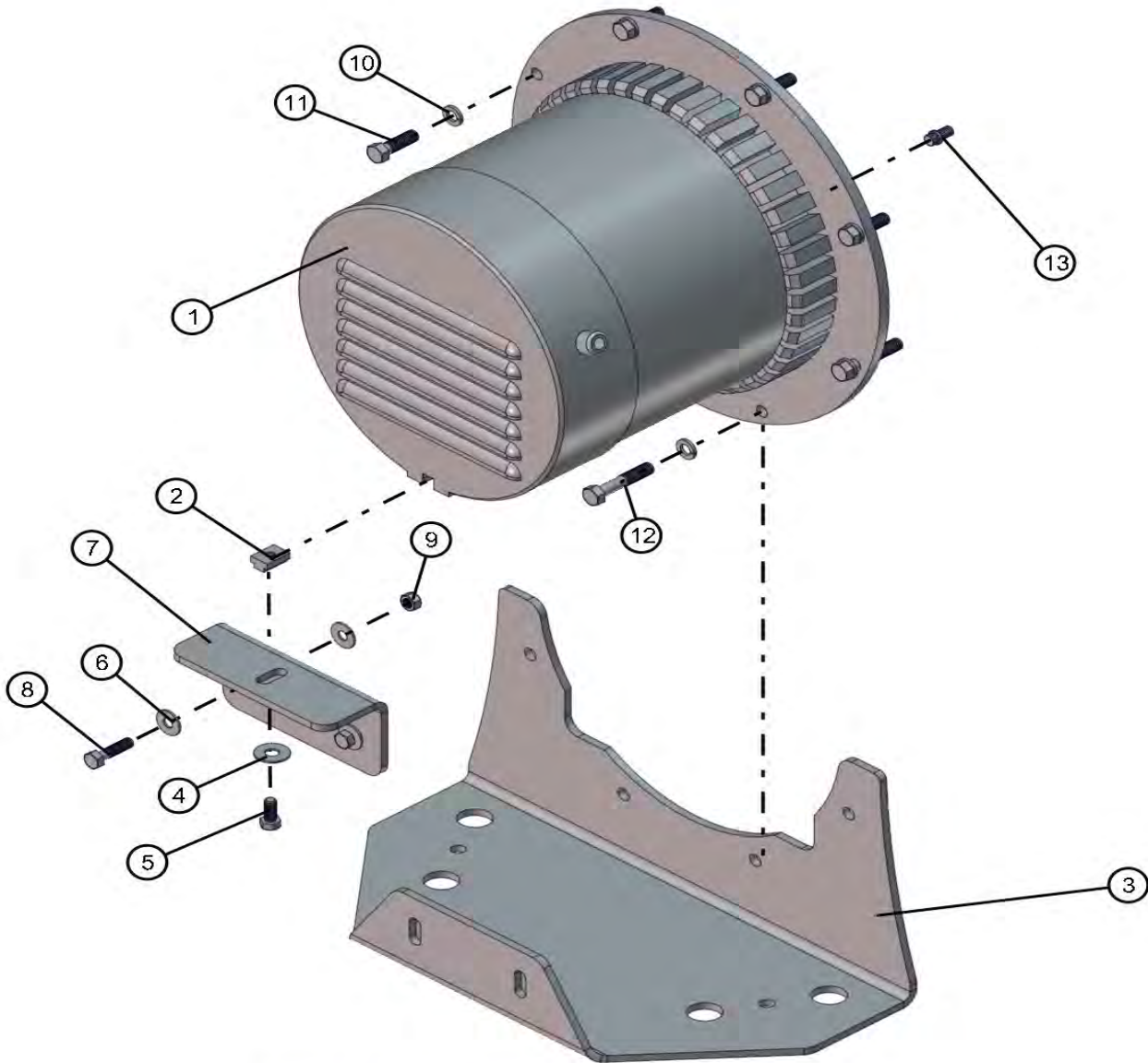
NOTE: ON SOME MODELS A 102692 ATHALON GENERATOR MAY BE USED INSTEAD OF THE 101075 MARATHON GENERATOR.

NOTE: NS = NOT SHOWN. WHEN ORDERING, SPECIFY THE COLOR WANTED ON PARTS CONTAINING THE LETTER "P"

MECC ALTE GENERATOR NIGHT LITE PRO II

2/9/2012

CE SPEC USES - 102612 6kW 50Hz 110CTE MECC ALTE GENERATOR

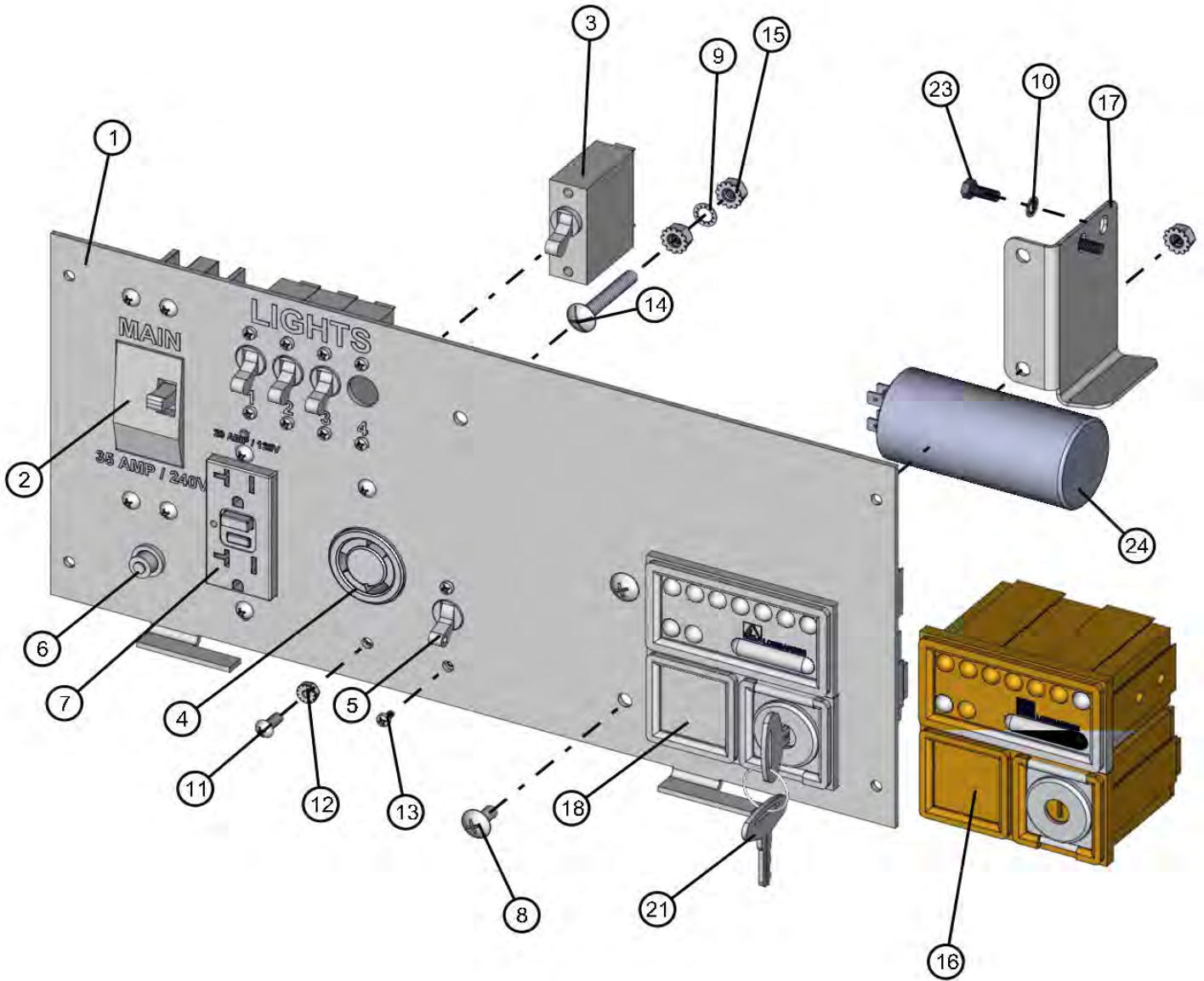


NO	QTY	PARTNO	DESCRIPTION
1	1	100350	MECC ALTE GENERATOR 8 Kw 60 Hz
2	1	100614P	5/16-18 T-SLOT NUT
3	1	109712P	GENERATOR MOUNT
4	1	047015	3/8 FLAT WASHER PL
5	1	046045	5/16-18 X 3/4 HEX HEAD CS GR5 PL
6	4	047010	5/16 FLAT WASHER PL
7	1	109713P	ANGLE BRACKET
8	2	046055	5/16-18 X 1 1/4 HEX HEAD CS GR5 PL
9	2	044030	5/16-18 HEX NUT PL
10	8	043065	3/8 SPLITLOCK WASHER PL
11	4	046115	3/8-16 X 1 1/4 HEX HEAD CS GR5 PL
12	4	046131	3/8-16 X 2 HEX HEAD CS GR8 PL
13	6	046041	5/16-18 x 1/2 12 PT FLANGE HEAD BOLT

NOTE: NS = NOT SHOWN. WHEN ORDERING, SPECIFY THE COLOR WANTED ON PARTS CONTAINING THE LETTER "P"

KOHLER CONTROL PANEL NIGHT LITE PRO II

2/9/2012



NO	QTY	PARTNO	DESCRIPTION
1	1	103041P	FACE PLATE
2	1	350354	35 AMP DOUBLE POLE BREAKER
3	4	330458	15A SPST BREAKER SWITCH
4	1	330491	30A 250V TWISTLOCK RECEPTACLE
5	1	330456	30A DPST CIRCUIT BREAKER
6	1	650138	CIRCUIT BREAKER 20A PUSH BUTTON
7	1	330499	20A GFCI RECEPTACLE
8	2	041078	1/4-20 X 1/2 PH-TRUSS HEAD MS SS
9	1	043050	1/4 INTL TOOTH LOCK WASHER
10	2	043015	#10 INTL TOOTH LOCK WASHER PL
11	8	041013	#8-32 X 1/2 PH-ROUND HEAD MS PL

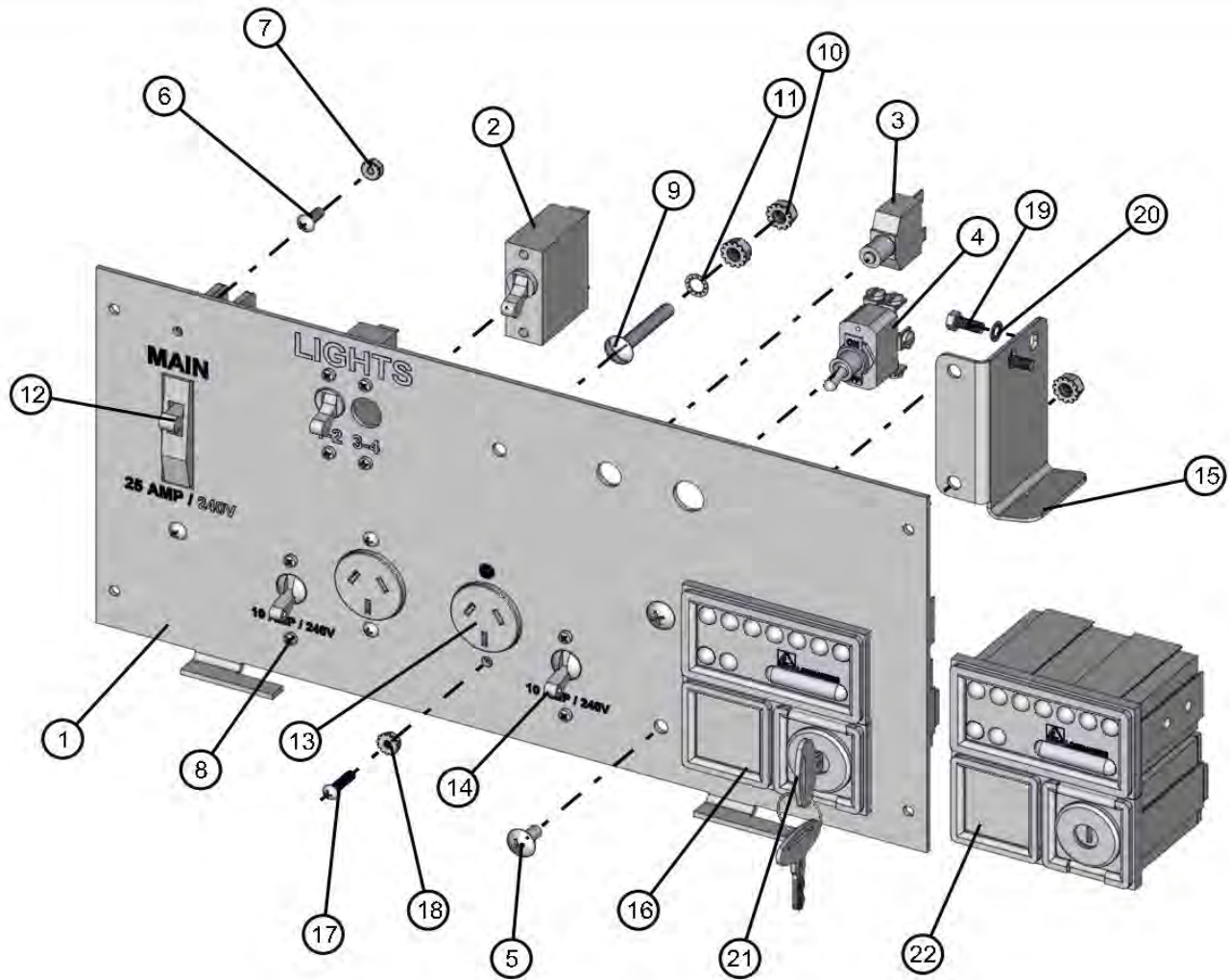
NO	QTY	PARTNO	DESCRIPTION
12	8	044003	#8-32 KEPS HEX NUT PL
13	10	041018	#6-32 X 1/4 PH-ROUND HEAD MS PL
14	1	041053	1/4-20 X 1 3/4 PH-TRUSS HEAD MS SS
15	4	044021	1/4-20 KEPS HEX NUT PL
16	1	103317	KOHLER CONTROL PANEL W/O PIG TAIL
17	1	102803P	MOUNT
18	1	650831	LOMBARDINI CONTROL PANEL W/ PIGTAIL
21	1	650833	KEY DOUBLE SIDED
23	2	046426	M5 X 0.8mm X 12mm HEX HEAD CS
24	1	101074	CAPACITOR (MECC ALTE ONLY)

NS: 103316 - KOHLER WIRING HARNESS FOR CONTROLLER W/O PIGTAIL.
103318 - KOHLER WIRING HARNESS FOR CONTROLLER W/ PIGTAIL.

NOTE: NS = NOT SHOWN. WHEN ORDERING, SPECIFY THE COLOR WANTED ON PARTS CONTAINING THE LETTER "P"

AUSTRALIAN SPEC ONLY AS3000 KOHLER CONTROL PANEL NIGHT LITE PRO II

2/9/2012



NO	QTY	PARTNO	DESCRIPTION
1	1	103069P	KOHLER FACE
2	2	330458	15A SPST BREAKER SWITCH
3	1	650105	15A CIRCUIT BREAKER
4	1	310544	TOGGLE SWITCH
5	2	041078	1/4-20 X 1/2 PH-TRUSS HEAD MS SS
6	2	041013	#8-32 X 1/2 PH-ROUND HEAD MS PL
7	2	044003	#8-32 KEPS HEX NUT PL
8	8	041018	#6-32 X 1/4 PH-ROUND HEAD MS PL
9	1	041053	1/4-20 x 1 3/4 PH-TRUSS HEAD MS SS
10	4	044021	1/4-20 KEPS HEX NUT PL
11	1	043050	1/4 INTL TOOTH LOCK WASHER
12	1	102898	25A BREAKER SPST

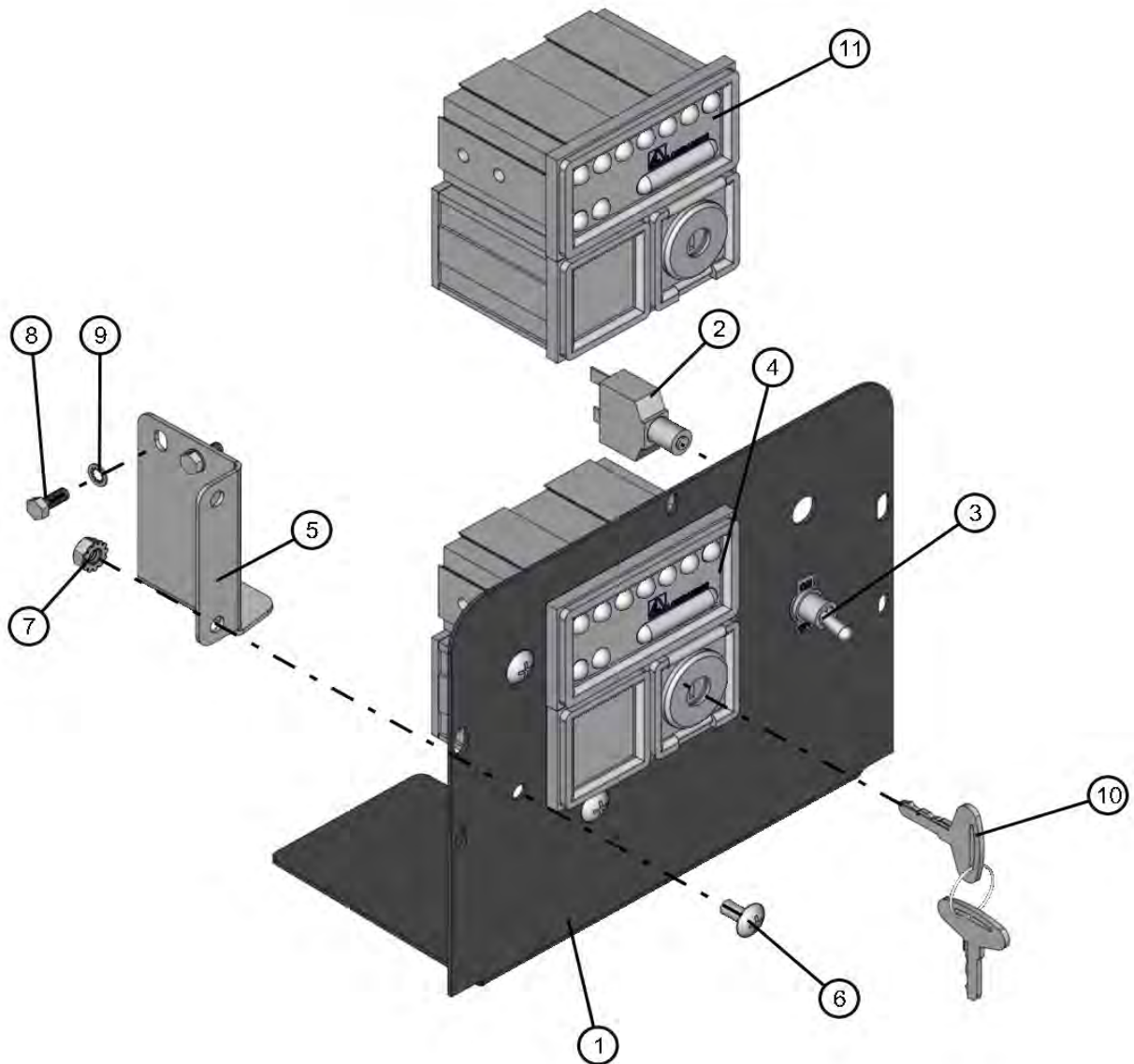
NO	QTY	PARTNO	DESCRIPTION
13	2	102124	AU1-10 240V RECEPTACLE
14	2	102894	10A SPST CIRCUIT BREAKER
15	1	102803P	MOUNT
16	1	650831	LOMBARDINI CONTROL PANEL W/ PIGTAIL
17	4	041042	#8-32 X 3/4 SL-ROUND HEAD MS SS
18	4	044015	#8-32 KEPS HEX NUT SS
19	2	046426	M5 X 0.8mm X 12mm HEX HEAD CS
20	2	043015	#10 INTL TOOTH LOCK WASHER PL
21	1	650833	KEY DOUBLE SIDED (2)
22	1	103317	KOHLER CONTROL PANEL W/O PIG TAIL

NS: 103316 - KOHLER WIRING HARNESS FOR CONTROLLER W/O PIGTAIL
103318 - KOHLER WIRING HARNESS FOR CONTROLLER W/ PIGTAIL

NOTE: NS = NOT SHOWN. WHEN ORDERING, SPECIFY THE COLOR WANTED ON PARTS CONTAINING THE LETTER "P"

KOHLER CONTROL PANEL (Old Style) NIGHT LITE PRO II

2/9/2012



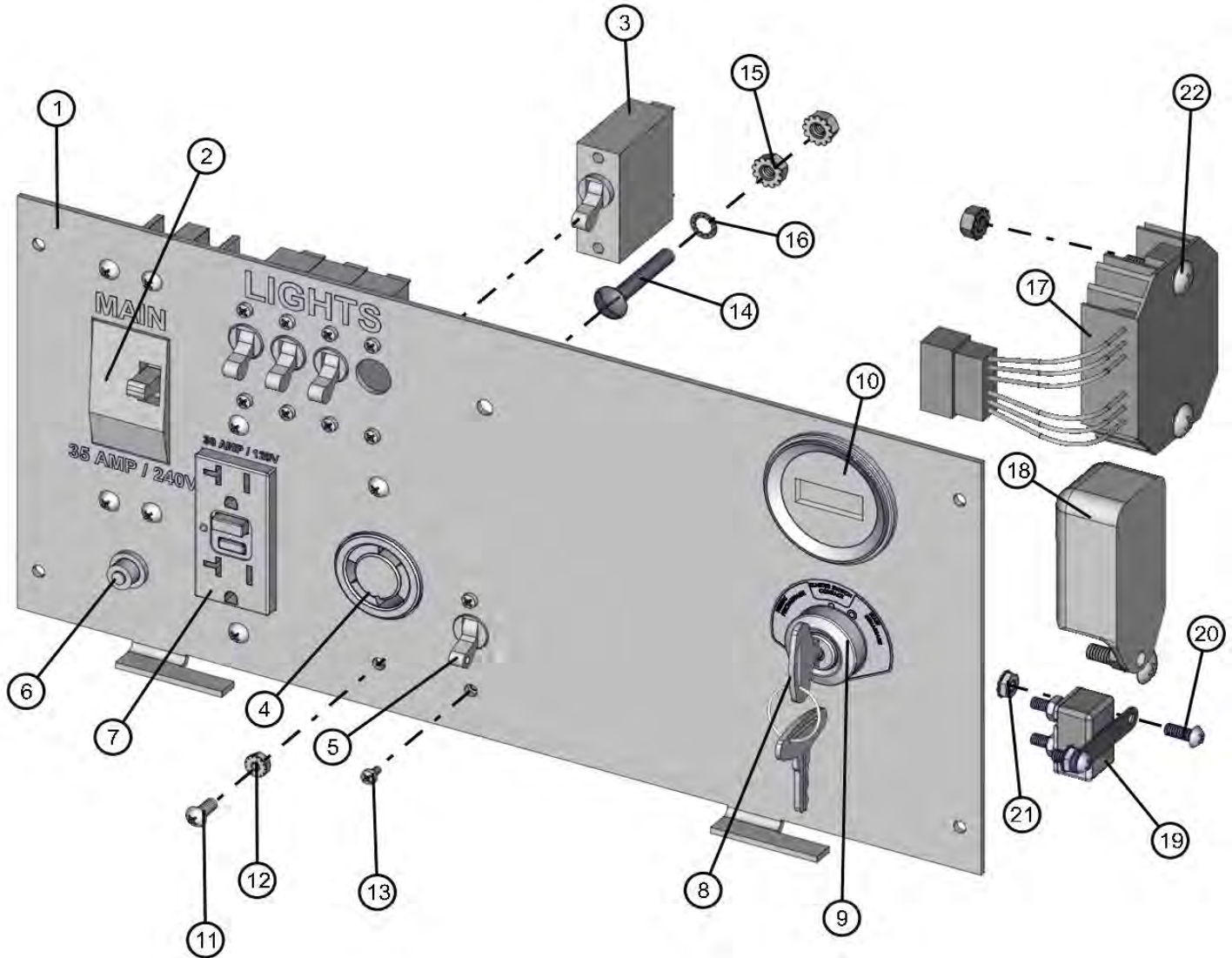
NO	QTY	PARTNO	DESCRIPTION
1	1	102802P	KOHLER PANEL
2	1	650105	15A CIRCUIT BREAKER
3	1	310544	TOGGLE SWITCH
4	1	650831	LOMBARDINI CONTROL PANEL W/ PIGTAIL
5	1	102803P	MOUNT
6	3	041078	1/4-20 X 1/2 PH-TRUSS HEAD MS SS
7	3	044021	1/4-20 KEPS HEX NUT PL
8	2	046426	M5 X 0.8mm X 12mm HEX HEAD CS
9	2	043015	#10 INTL TOOTH LOCK WASHER PL
10	1	650833	KEY DOUBLE SIDED
11	1	103317	KOHLER CONTROL PANEL W/O PIG TAIL

NS: 103316 - WIRING HARNESS FOR CONTROLLER W/O PIG TAIL.
103318 - WIRING HARNESS FOR CONTROLLER W/ PIG TAIL.

NOTE: NS = NOT SHOWN. WHEN ORDERING, SPECIFY THE COLOR WANTED ON PARTS CONTAINING THE LETTER "P"

CAT 1.1 CONTROL PANEL NIGHT LITE PRO II

2/9/2012



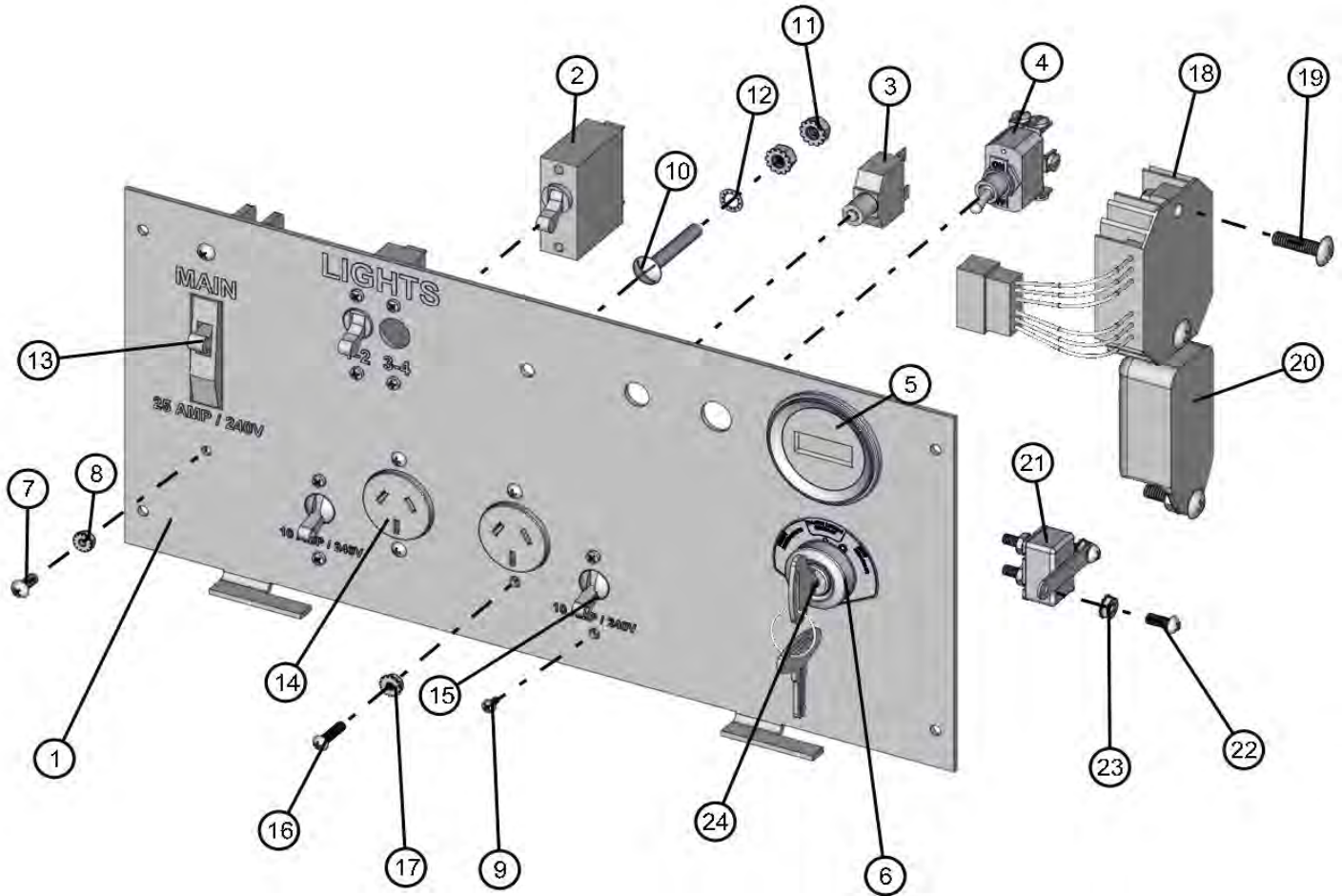
NO	QTY	PARTNO	DESCRIPTION
1	1	103038P	CAT FACE
2	1	350354	35 AMP DOUBLE POLE BREAKER
3	4	330458	15A SPST BREAKER SWITCH
4	1	330491	30A 250V TWISTLOCK RECEPTACLE
5	1	330456	30A DPST CIRCUIT BREAKER
6	1	650138	CIRCUIT BREAKER 20A PUSH BUTTON
7	1	330499	20 A GFCI RECEPTACLE
8	1	920474	IGNITION KEYS (2)
9	1	920475	IGNITION SWITCH KUBOTA W/ KEYS
10	1	340014	HOUR METER
11	8	041013	#8-32 X 1/2 PH-ROUND HEAD MS PL
12	6	044003	#8-32 KEPS HEX NUT PL

NO	QTY	PARTNO	DESCRIPTION
13	10	041018	#6-32 X 1/4 PH-ROUND HEAD MS PL
14	1	041053	1/4-20 x 1 3/4 PH-TRUSS HEAD MS SS
15	5	044021	1/4-20 KEPS HEX NUT PL
16	1	043050	1/4 INTL TOOTH LOCK WASHER
17	1	650446	REGULATOR
18	1	650302	TIMER
19	1	650139	30A BREAKER
20	2	041024	#10-24 X 1/2 PH-ROUND HEAD MS SS
21	2	044016	#10-24 KEPS HEX NUT PL
22	3	041080	1/4-20 X 1 PH-TRUSS HEAD MS SS

NOTE: NS = NOT SHOWN. WHEN ORDERING, SPECIFY THE COLOR WANTED ON PARTS CONTAINING THE LETTER "P"

AUSTRALIAN SPEC ONLY AS3000 CAT 1.1 CONTROL PANEL NIGHT LITE PRO II

2/9/2012



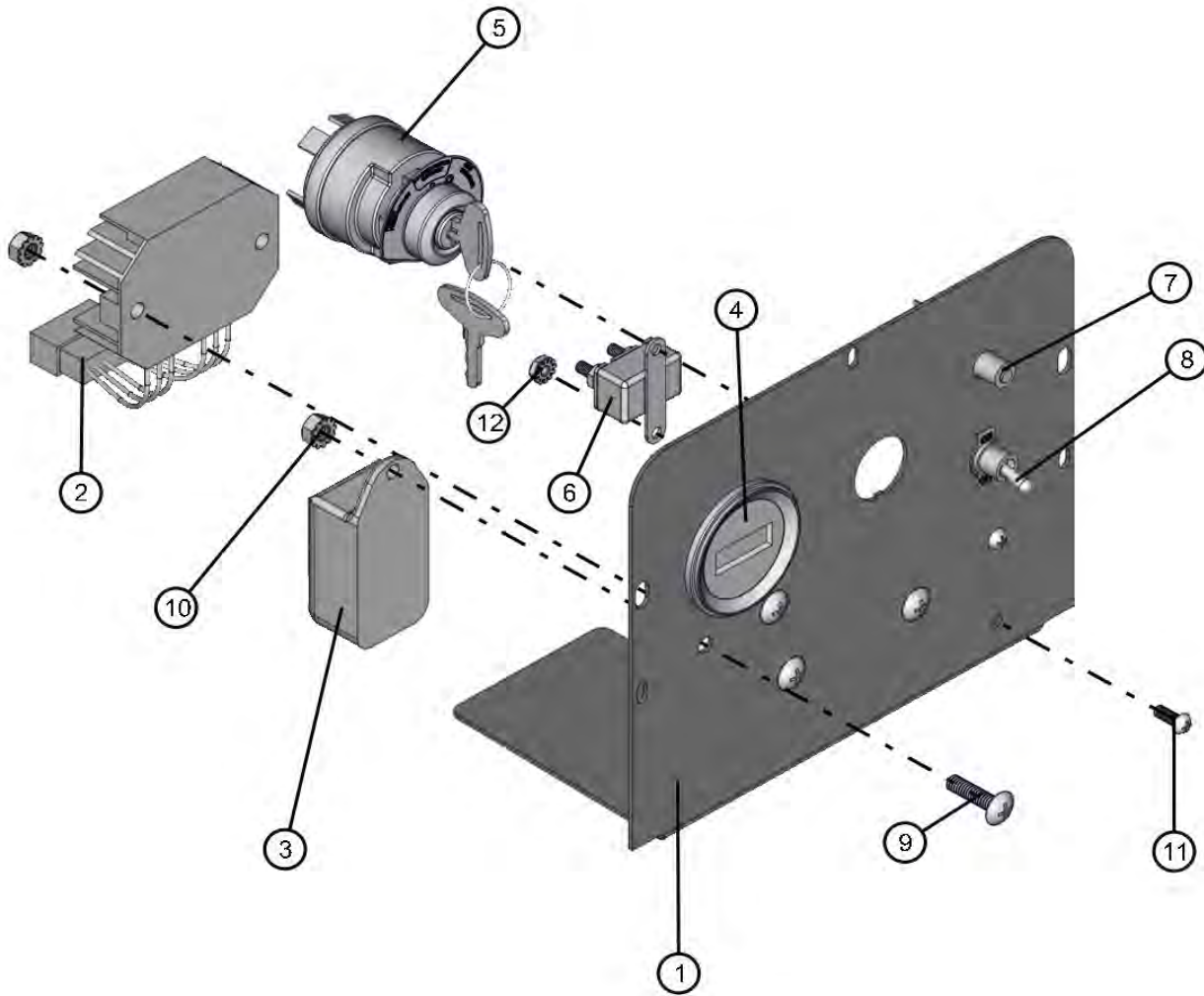
NO	QTY	PARTNO	DESCRIPTION
1	1	103064P	CAT/KUB FACE
2	2	330458	15A SPST BREAKER SWITCH
3	1	650105	15A CIRCUIT BREAKER
4	1	310544	TOGGLE SWITCH
5	1	340014	HOUR METER
6	1	920475	IGNITION SWITCH KUBOTA W/ KEYS
7	2	041013	#8-32 X 1/2 PH-ROUND HEAD MS PL
8	2	044003	#8-32 KEPS HEX NUT PL
9	8	041018	#6-32 X 1/4 PH-ROUND HEAD MS PL
10	1	041053	1/4-20 x 1 3/4 PH-TRUSS HEAD MS SS
11	5	044021	1/4-20 KEPS HEX NUT PL
12	1	043050	1/4 INTL TOOTH LOCK WASHER
13	1	102898	25A BREAKER SPST

NO	QTY	PARTNO	DESCRIPTION
14	2	102124	AU1-10 240V RECEPTACLE
15	2	102894	10A SPST CIRCUIT BREAKER
16	4	041042	#8-32 X 3/4 SL-ROUND HEAD MS SS
17	4	044015	#8-32 KEPS HEX NUT SS
18	1	650446	REGULATOR
19	3	041080	1/4-20 X 1 PH-TRUSS HEAD MS SS
20	1	650302	TIMER
21	1	650139	30A BREAKER
22	2	041024	#10-24 X 1/2 PH-ROUND HEAD MS SS
23	2	044016	#10-24 KEPS HEX NUT PL
24	1	920474	IGNITION KEYS (2)

NOTE: NS = NOT SHOWN. WHEN ORDERING, SPECIFY THE COLOR WANTED ON PARTS CONTAINING THE LETTER "P"

CAT CONTROL PANEL (Old Style) NIGHT LITE PRO II

2/9/2012

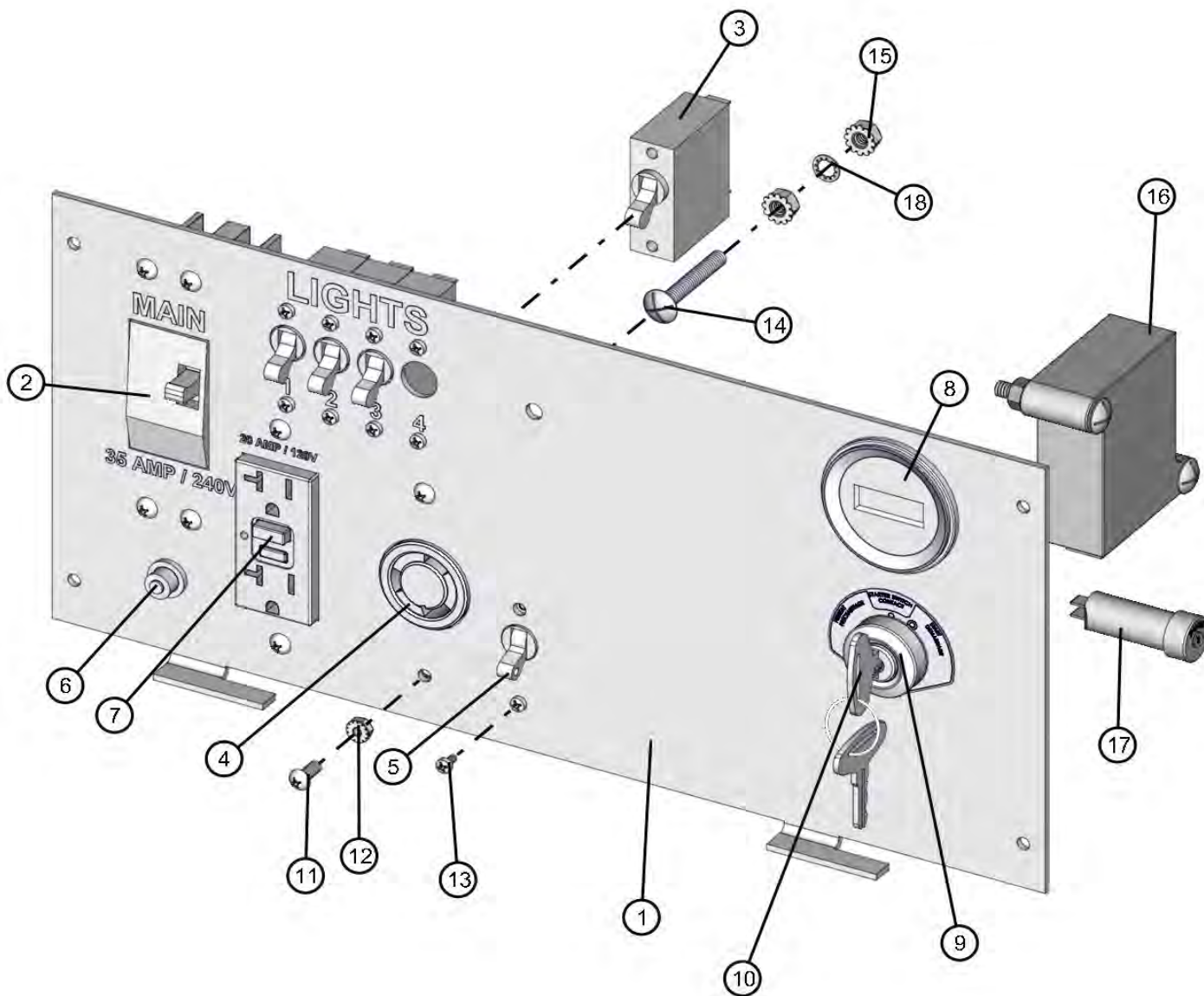


NO	QTY	PARTNO	DESCRIPTION
1	1	102806P	CAT 1.1 PANEL
2	1	650446	VOLTAGE REGULATOR
3	1	650302	TIMER
4	1	340014	HOUR METER
5	1	920475	IGNITION SWITCH KUBOTA W/ KEYS
6	1	650139	30A BREAKER
7	1	650105	15A CIRCUIT BREAKER
8	1	310544	TOGGLE SWITCH
9	4	041080	1/4-20 X 1 PH-TRUSS HEAD MS SS
10	5	044021	1/4-20 KEPS HEX NUT PL
11	2	041021	#10-24 X 1/2 PH-ROUND HEAD MS PL
12	2	044016	#10-24 KEPS HEX NUT PL

NOTE: NS = NOT SHOWN. WHEN ORDERING, SPECIFY THE COLOR WANTED ON PARTS CONTAINING THE LETTER "P"

KUBOTA CONTROL PANEL NIGHT LITE PRO II

2/9/2012



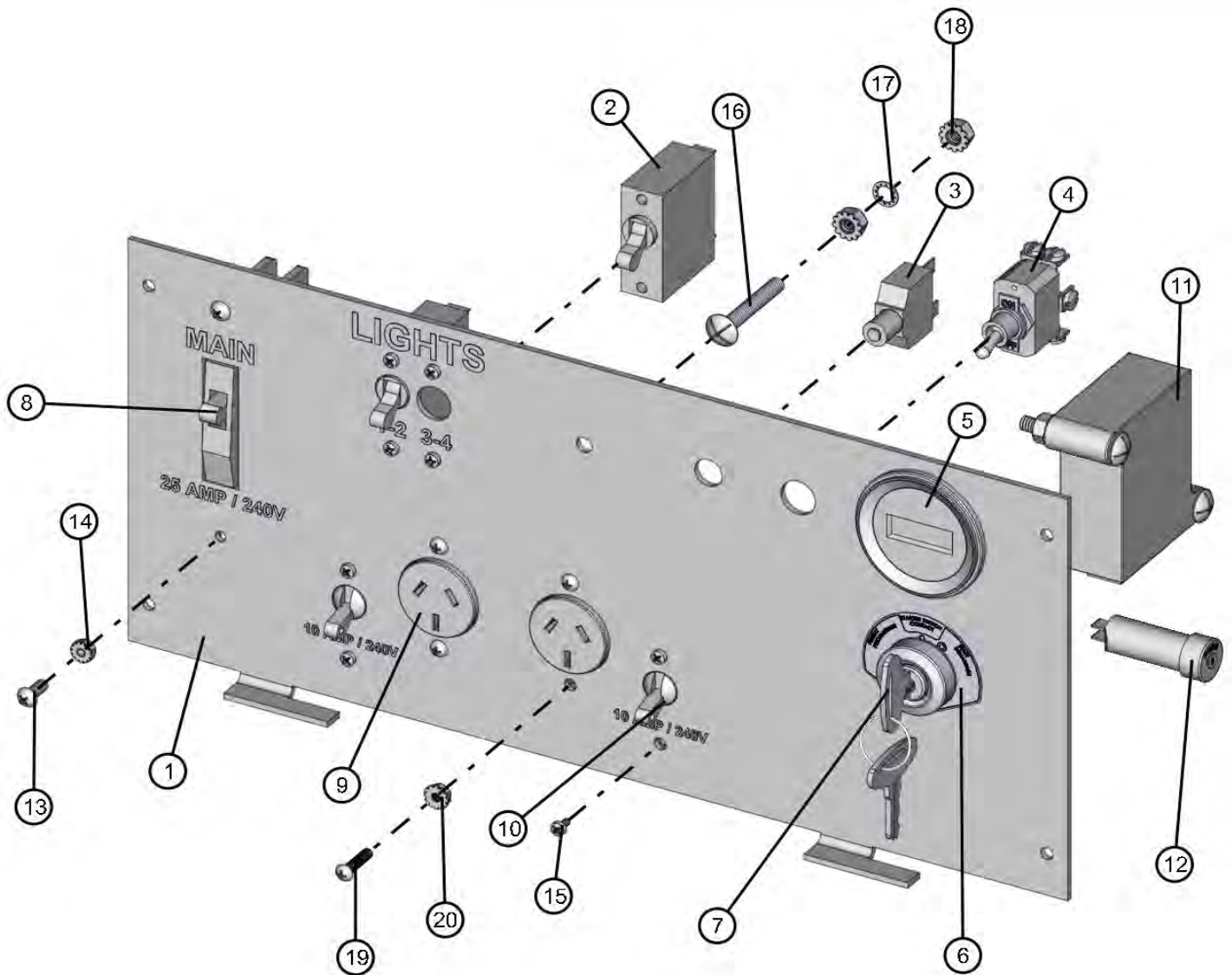
NO	QTY	PARTNO	DESCRIPTION
1	1	103038P	CAT C1.1 FACE
2	1	350354	35 AMP DOUBLE POLE BREAKER
3	4	330458	15A SPST BREAKER SWITCH
4	1	330491	30A 250V TWISTLOCK RECEPTACLE
5	1	330456	30A DPST CIRCUIT BREAKER
6	1	650138	CIRCUIT BREAKER 20A PUSH BUTTON
7	1	330499	20 A GFCI RECEPTACLE
8	1	340014	HOUR METER
9	1	920475	IGNITION SWITCH KUBOTA W/ KEYS
10	1	920474	IGNITION KEYS (2)

NO	QTY	PARTNO	DESCRIPTION
11	8	041013	#8-32 X 1/2 PH-ROUND HEAD MS PL
12	8	044003	#8-32 KEPS HEX NUT PL
13	10	041018	#6-32 X 1/4 PH-ROUND HEAD MS PL
14	3	041053	1/4-20 x 1 3/4 PH-TRUSS HEAD MS SS
15	4	044021	1/4-20 KEPS HEX NUT PL
16	1	102577	KUBOTA TIMER MODULE
17	1	352466	CIRCUIT BREAKER 2 AMP
18	1	043050	1/4 INTL TOOTH LOCK WASHER

NOTE: NS = NOT SHOWN. WHEN ORDERING, SPECIFY THE COLOR WANTED ON PARTS CONTAINING THE LETTER "P"

AUSTRALIAN SPEC ONLY AS3000 KUBOTA CONTROL PANEL NIGHT LITE PRO II

2/9/2012



NO	QTY	PARTNO	DESCRIPTION
1	1	103064P	CAT/KUB FACE
2	2	330458	15A SPST BREAKER SWITCH
3	1	650105	15A CIRCUIT BREAKER
4	1	310544	TOGGLE SWITCH
5	1	340014	HOUR METER
6	1	920475	IGNITION SWITCH KUBOTA W/ KEYS
7	1	920474	IGNITION KEYS (2)
8	1	102898	25A BREAKER SPST
9	2	102124	AU1-10 240V RECEPTACLE
10	2	102894	10A SPST CIRCUIT BREAKER
11	1	102577	TIMER MODULE

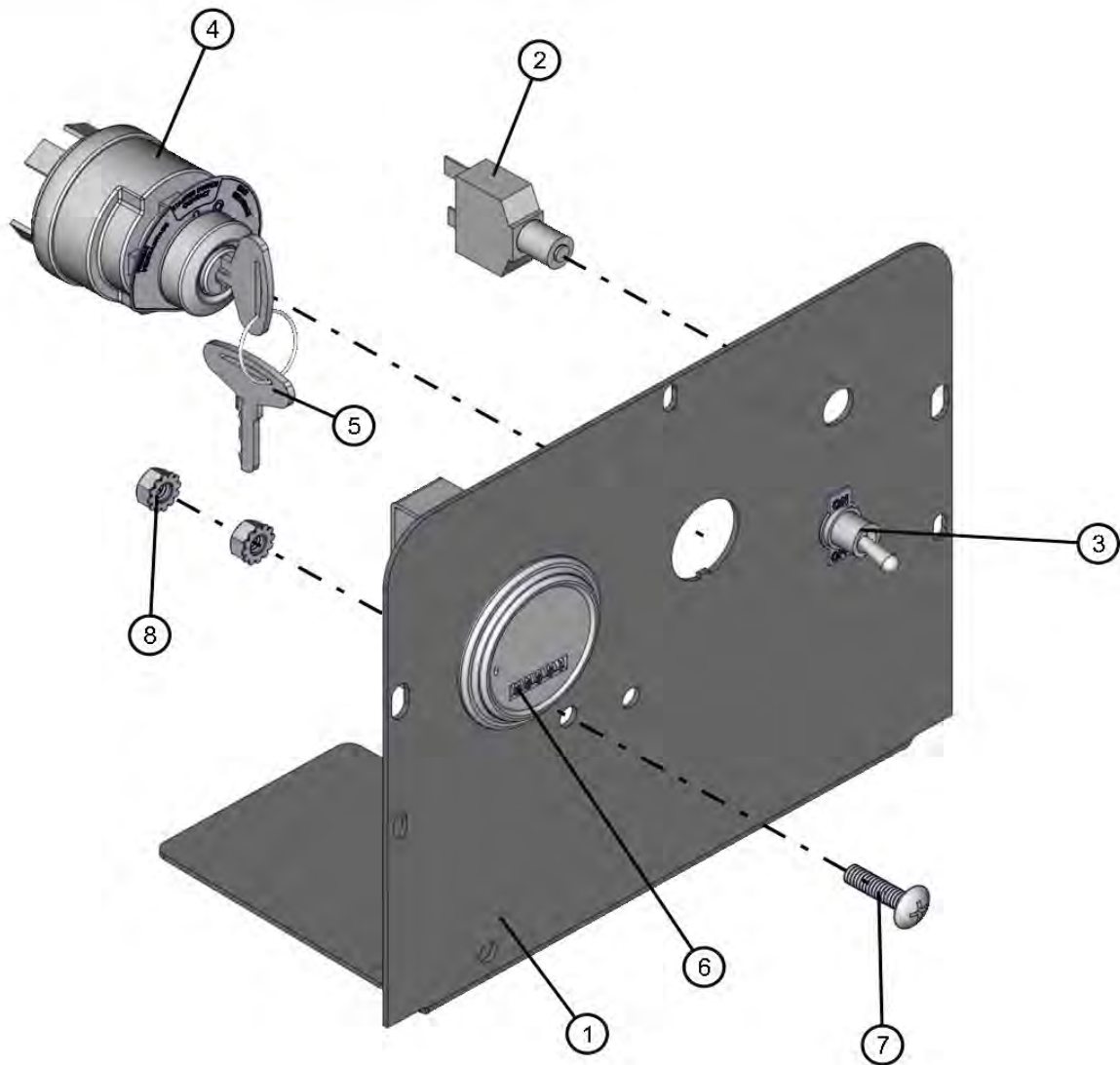
NO	QTY	PARTNO	DESCRIPTION
12	1	352466	CIRCUIT BREAKER 2 AMP
13	2	041013	#8-32 X 1/2 PH-ROUND HEAD MS PL
14	2	044003	#8-32 KEPS HEX NUT PL
15	8	041018	#6-32 X 1/4 PH-ROUND HEAD MS PL
16	1	041053	1/4-20 x 1 3/4 PH-TRUSS HEAD MS SS
17	1	043050	1/4 INTL TOOTH LOCK WASHER
18	2	044021	1/4-20 KEPS HEX NUT PL
19	4	041042	#8-32 X 3/4 PH-ROUND HEAD MS SS
20	4	044015	#8-32 KEPS HEX NUT SS

NOTE: NS = NOT SHOWN. WHEN ORDERING, SPECIFY THE COLOR WANTED ON PARTS CONTAINING THE LETTER "P"

KUBOTA CONTROL PANEL (Old Style)

NIGHT LITE PRO II

2/9/2012

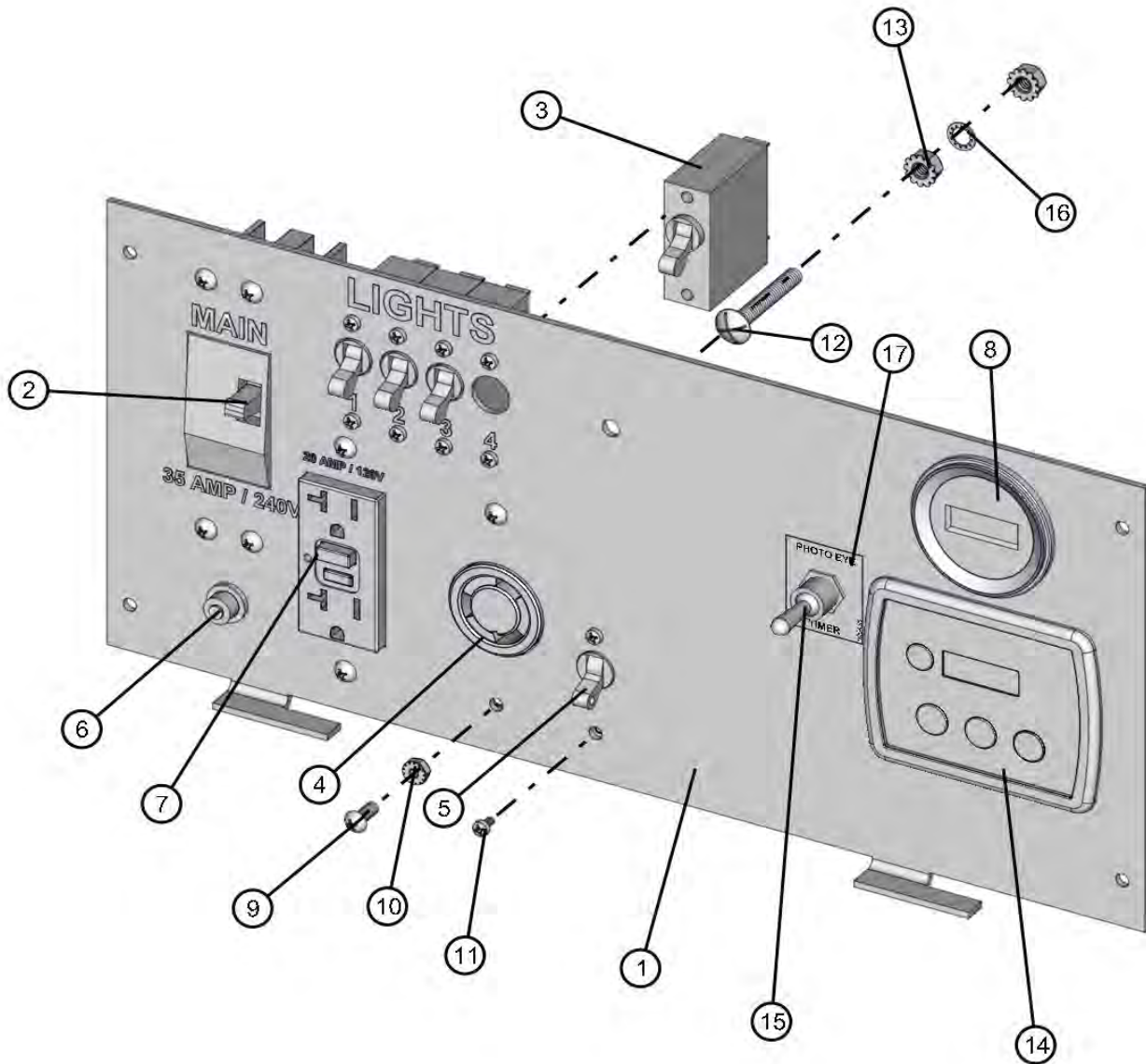


NO	QTY	PARTNO	DESCRIPTION
1	1	102804P	CONTROL PANEL
2	1	650105	15A CIRCUIT BREAKER
3	1	310544	TOGGLE SWITCH
4	1	920475	IGNITION SWITCH KUBOTA W/ KEYS
5	1	920474	IGNITION KEYS (2)
6	1	340014	HOUR METER
7	1	041080	1/4-20 X 1 PH-TRUSS HEAD MS SS
8	2	044021	1/4-20 KEPS HEX NUT PL

NOTE: NS = NOT SHOWN. WHEN ORDERING, SPECIFY THE COLOR WANTED ON PARTS CONTAINING THE LETTER "P"

KUBOTA DEEP SEA CONTROL PANEL NIGHT LITE PRO II

2/9/2012



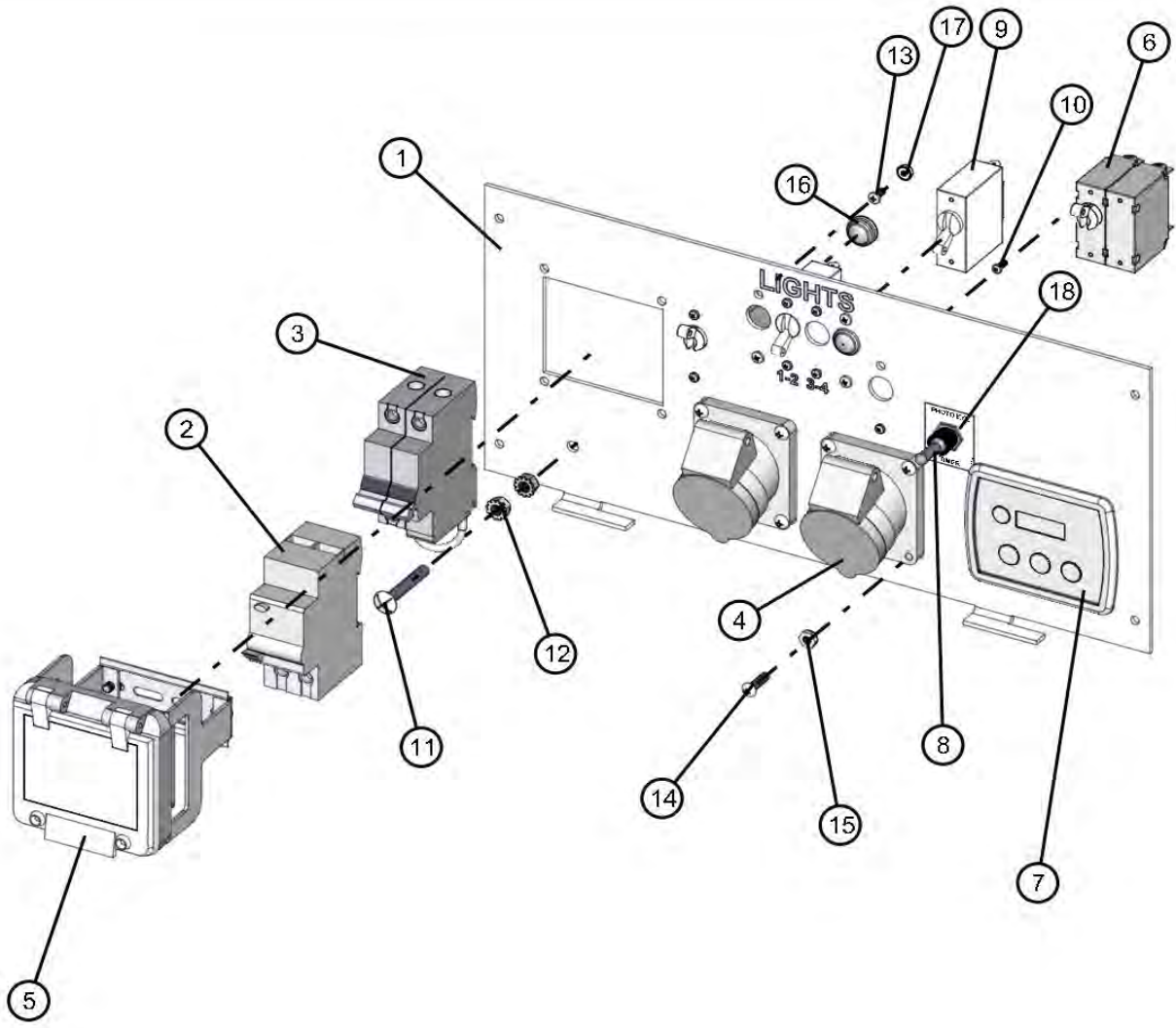
NO	QTY	PARTNO	DESCRIPTION
1	1	103079P	FACE PLATE
2	1	350354	35 AMP DOUBLE POLE BREAKER
3	4	330458	15A SPST BREAKER SWITCH
4	1	330491	30A 250V TWISTLOCK RECEPTACLE
5	1	330456	30A DPST CIRCUIT BREAKER
6	1	650138	CIRCUIT BREAKER 20A PUSH BUTTON
7	1	330499	20 A GFCI RECEPTACLE
8	1	340014	HOUR METER
9	8	041013	#8-32 X 1/2 PH-ROUND HEAD MS PL

NO	QTY	PARTNO	DESCRIPTION
10	8	044003	#8-32 KEPS HEX NUT PL
11	10	041018	#6-32 X 1/4 PH-ROUND HEAD MS PL
12	1	041053	1/4-20 x 1 3/4 PH-TRUSS HEAD MS SS
13	2	044021	1/4-20 KEPS HEX NUT PL
14	1	102537	DEEP SEA 3110 CONTROLLER
15	1	530123	20A TOGGLE SWITCH
16	1	043050	1/4 INTL TOOTH LOCK WASHER
17	1	090438	PHOTO EYE TIMER DECAL

NOTE: NS = NOT SHOWN. WHEN ORDERING, SPECIFY THE COLOR WANTED ON PARTS CONTAINING THE LETTER "P"

CE SPEC KUBOTA DEEP SEA CONTROL PANEL NIGHT LITE PRO II

2/9/2012



NO	QTY	PARTNO	DESCRIPTION
1	1	102986P	CONTROL BOX FACE
2	1	A109602	VIGI C60 ELD
3	1	A109603	63A DP CIRCUIT BREAKER
4	2	A109605	16A 110V RECEPTACLE
5	1	A109608	CIRCUIT BREAKER COVER
6	2	650530	BREAKER SWITCH
7	1	102537	DEEP SEA 3110 CONTROLLER
8	1	530123	20A TOGGLE SWITCH
9	2	650127	25A SPST NIKKO CIRCUIT BREAKER
10	8	041251	M3 X 0.5mm X 8mm PH-PAN HEAD MS ZC

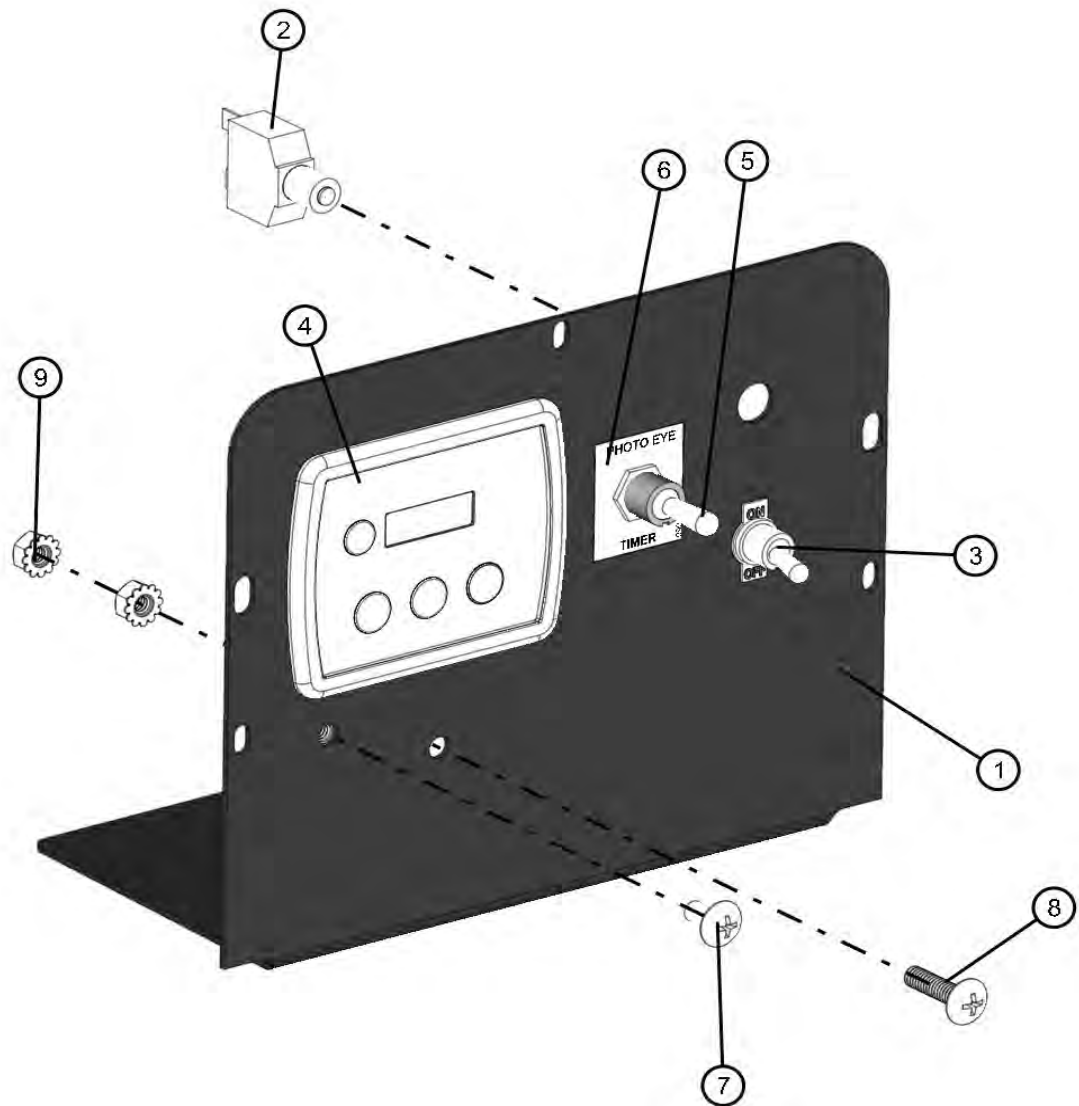
NO	QTY	PARTNO	DESCRIPTION
11	1	041053	1/4-20 x 1 3/4 PH-TRUSS HEAD MS SS
12	2	044021	1/4-20 KEPS HEX NUT PL
13	4	041017	#6-32 X 3/8 PH-PAN HEAD MS PL
14	8	041027	#10-24 X 3/4 PH-ROUND HEAD MS
15	8	044018	#10-24 NYLOCK HEX NUT PL
16	2	433328	1/2 PLASTIC PLUG
17	4	044004	#6-32 KEPS HEX NUT PL
18	1	090438	PHOTO EYE TIMER DECAL

NOTE: NS = NOT SHOWN. WHEN ORDERING, SPECIFY THE COLOR WANTED ON PARTS CONTAINING THE LETTER "P"

KUBOTA DEEP SEA CONTROL PANEL (Old Style)

NIGHT LITE PRO II

2/9/2012

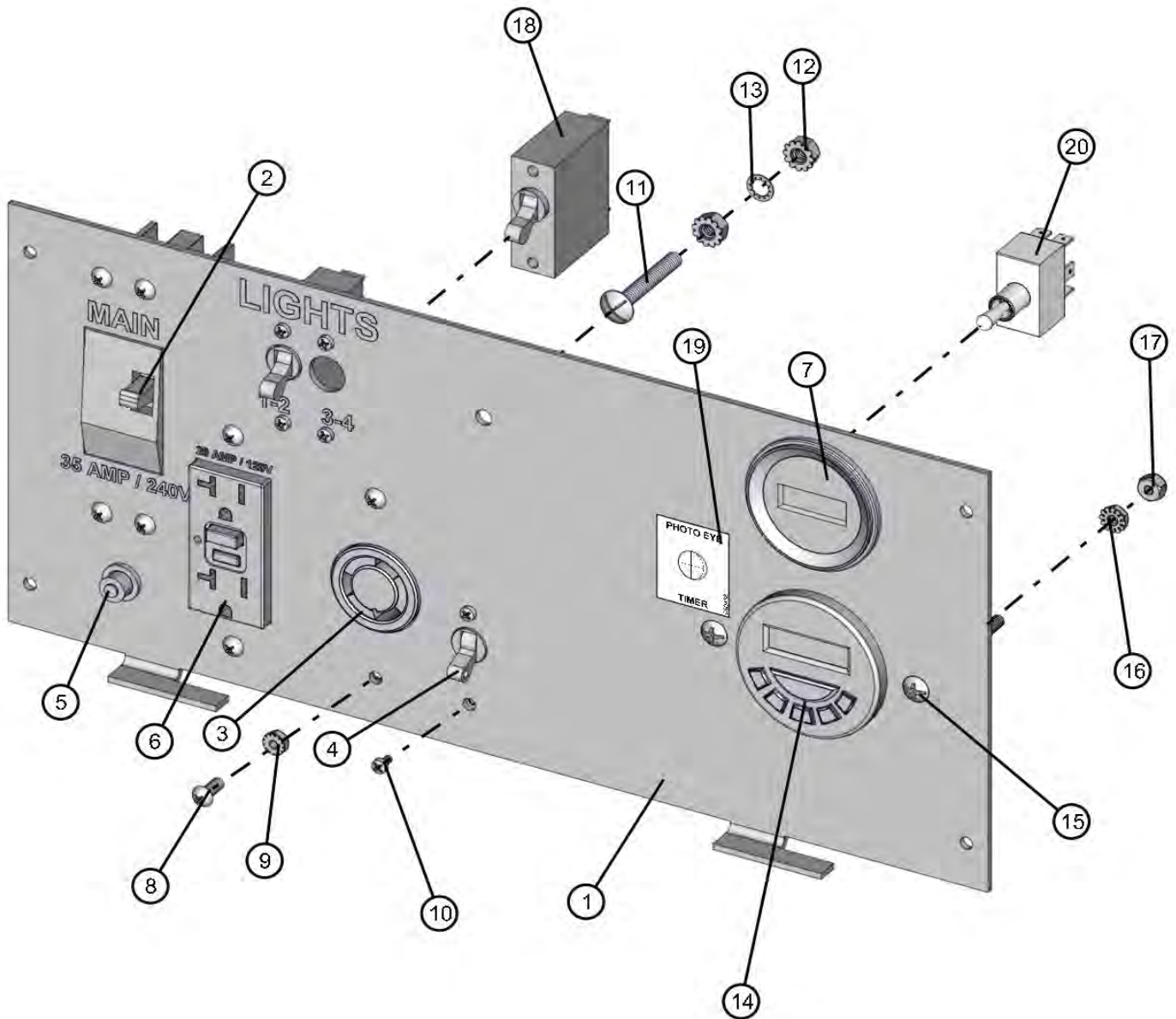


NO	QTY	PARTNO	DESCRIPTION
1	1	102805P	CONTROL PANEL
2	1	650105	15A CIRCUIT BREAKER
3	1	310544	TOGGLE SWITCH
4	1	102537	DEEP SEA 3110 CONTROLLER
5	1	530123	20A TOGGLE SWITCH
6	1	090438	PHOTO EYE TIMER DECAL
7	1	041078	1/4-20 X 1/2 PH-TRUSS HEAD MS SS
8	1	041080	1/4-20 X 1 PH-TRUSS HEAD MS SS
9	3	044021	1/4-20 KEPS HEX NUT PL

NOTE: NS = NOT SHOWN. WHEN ORDERING, SPECIFY THE COLOR WANTED ON PARTS CONTAINING THE LETTER "P"

LSC CONTROL PANEL NIGHT LITE PRO II

2/9/2012



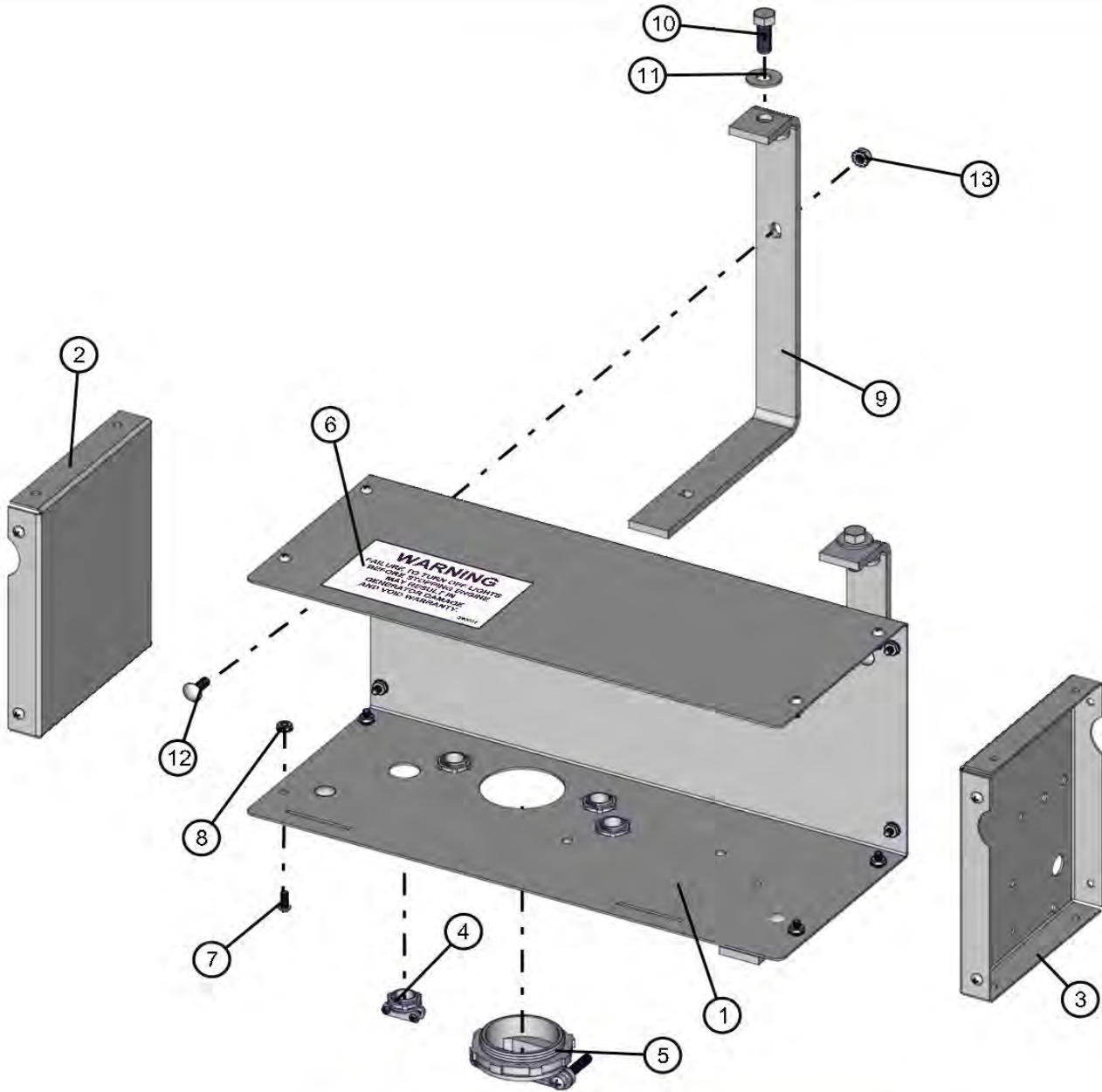
NO	QTY	PARTNO	DESCRIPTION
1	1	103065P	LSC FACE
2	1	350354	35 AMP DOUBLE POLE BREAKER
3	1	330491	30A 250V TWISTLOCK RECEPTACLE
4	1	330456	30A DPST CIRCUIT BREAKER
5	1	650138	CIRCUIT BREAKER 20A PUSH BUTTON
6	1	330499	20 A GFCI RECEPTACLE
7	1	340014	HOUR METER
8	8	041013	#8-32 X 1/2 PH-ROUND HEAD MS PL
9	8	044003	#8-32 KEPS HEX NUT PL
10	6	041018	#6-32 X 1/4 PH-ROUND HEAD MS PL
11	1	041053	1/4-20 x 1 3/4 PH-TRUSS HEAD MS SS

NO	QTY	PARTNO	DESCRIPTION
12	2	044021	1/4-20 KEPS HEX NUT PL
13	1	043050	1/4 INTL TOOTH LOCK WASHER
14	1	352471	TIMER 24 HR DIGITAL
15	2	041045	#10-24 X 2 1/2 PH-ROUND HEAD MS PL
16	2	044016	#10-24 KEPS HEX NUT PL
17	2	044019	#10-24 NYLOC HEX NUT SS
18	2	650104	25A SPST BREAKER SWITCH
19	1	090438	PHOTO EYE TIMER DECAL
20	1	650754	SWITCH DPDT 15A

NOTE: NS = NOT SHOWN. WHEN ORDERING, SPECIFY THE COLOR WANTED ON PARTS CONTAINING THE LETTER "P"

CONTROL BOX NIGHT LITE PRO II

2/9/2012

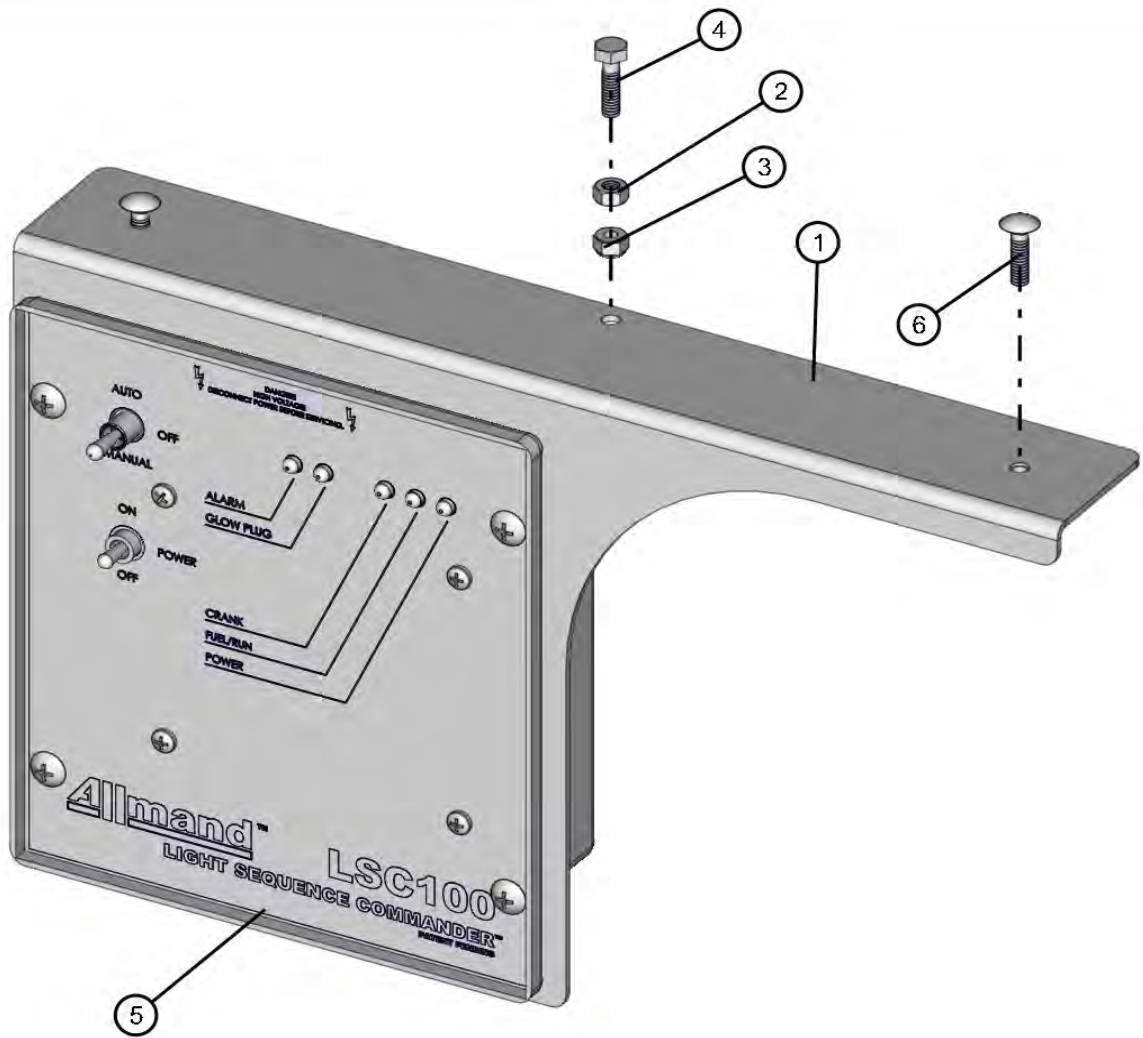


NO	QTY	PARTNO	DESCRIPTION
1	1	103035P	SHELL
2	1	103036P	LT SIDE
3	1	103045P	RT SIDE
4	4	022020	3/8 2 SCREW CLAMP
5	1	102946	2" ROMEX CLAMP 2 SCREW
6	1	090084	TURN OFF LIGHTS DECAL
7	16	041021	#10-24 X 1/2 PH-ROUND HEAD MS PL
8	16	044016	#10-24 KEPS HEX NUT PL
9	2	103046P	HANGER
10	2	046110	3/8-16 X 1 HEX HEAD CS GR5 PL
11	2	047015	3/8 FLAT WASHER PL
12	4	053006	1/4-20 X 3/4 CARRIAGE BOLT
13	4	044021	1/4-20 KEPS HEX NUT PL

NOTE: NS = NOT SHOWN. WHEN ORDERING, SPECIFY THE COLOR WANTED ON PARTS CONTAINING THE LETTER "P"

LSC CONTROL BRACKET NIGHT LITE PRO II

2/9/2012



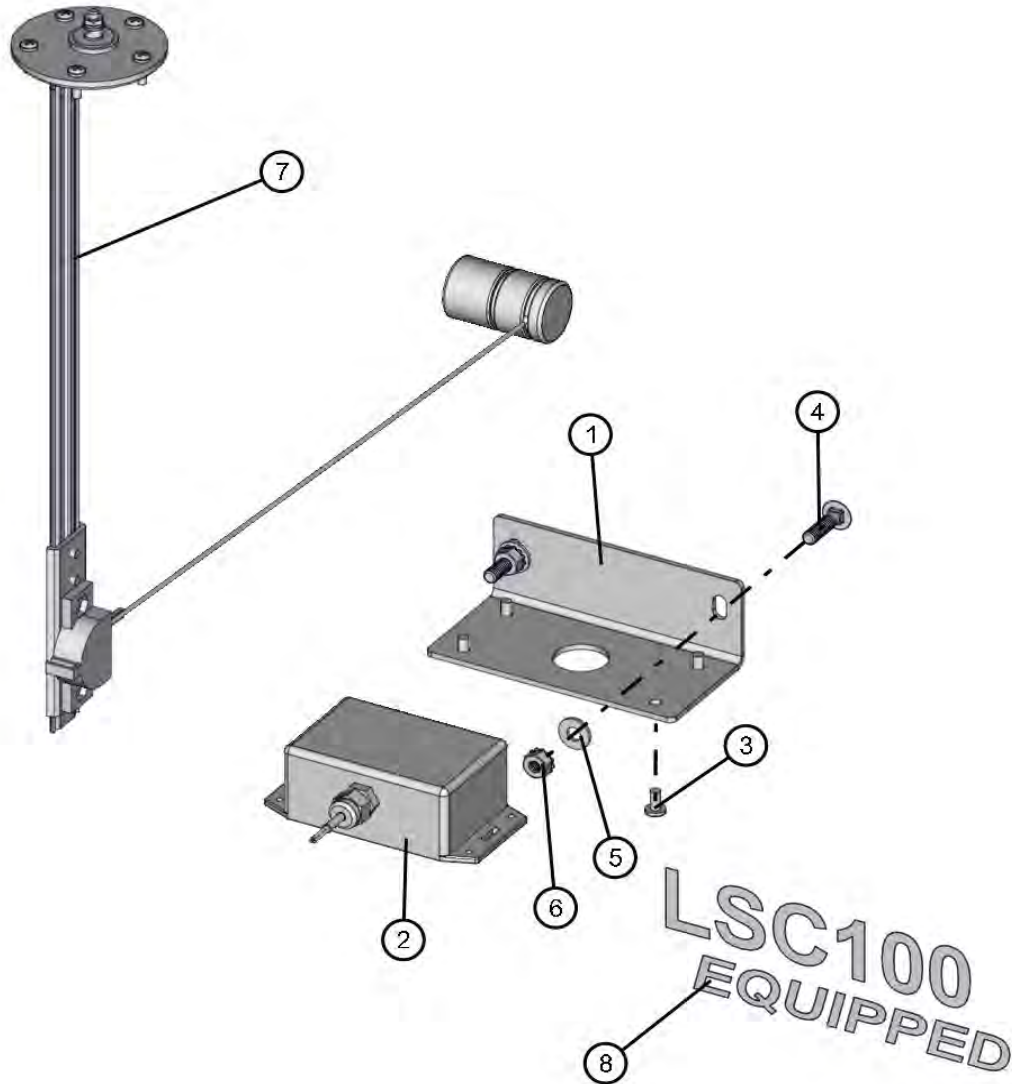
NO	QTY	PARTNO	DESCRIPTION
1	1	103076P	MOUNT
2	1	044020	1/4-20 HEX NUT PL
3	1	044023	1/4-20 NYLOCK HEX NUT PL
4	1	046015	1/4-20 X 1 HEX HEAD CS GR5 PL
5	1	650716	LSC CONTROLER
6	2	100342	1/4-20 X 1 CARRIAGE BOLT PL

NOTE: NS = NOT SHOWN. WHEN ORDERING, SPECIFY THE COLOR WANTED ON PARTS CONTAINING THE LETTER "P"

LSC PHOTO CELL & COMPONENTS

NIGHT LITE PRO II

2/9/2012

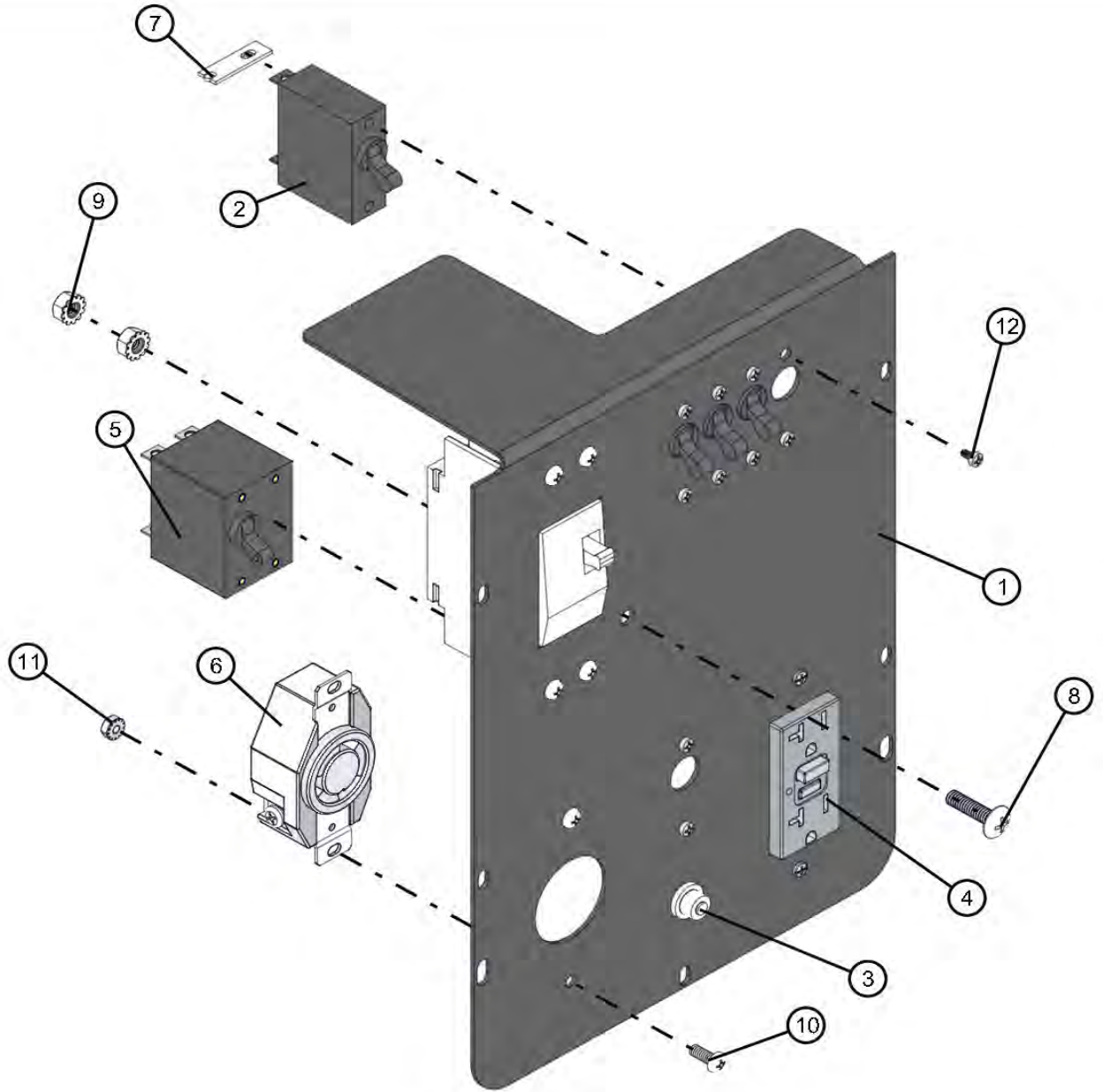


NO	QTY	PARTNO	DESCRIPTION
1	1	103074P	PHOTO CELL MOUNT
2	1	650755	LSC PHOTOCELL
3	4	041019	#10-32 X 3/8 PH-ROUND HEAD MS PL
4	2	100342	1/4-20 X 1 CARRIAGE BOLT PL
5	2	047005	1/4 FLAT WASHER PL
6	2	044021	1/4-20 KEPS HEX NUT PL
7	1	352479	ISSPRO FUEL LEVEL SENDER
8	1	090477	LSC100 DECAL

NOTE: NS = NOT SHOWN. WHEN ORDERING, SPECIFY THE COLOR WANTED ON PARTS CONTAINING THE LETTER "P"

OUTLET PANEL (Old Style) NIGHT LITE PRO II

2/9/2012



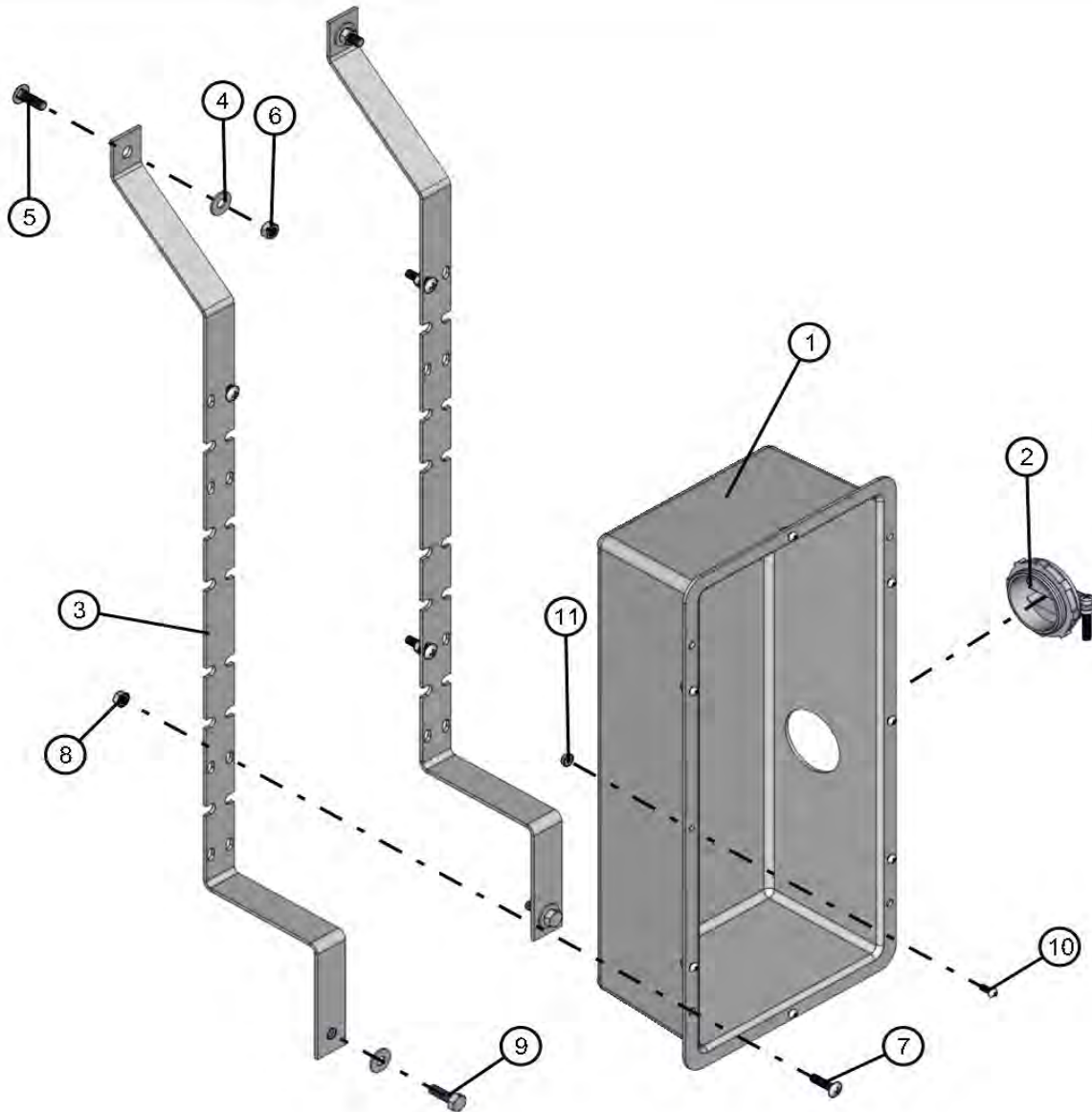
NO	QTY	PARTNO	DESCRIPTION
1	1	102807P	OUTLET PANEL
2	4	330458	15A SPST BREAKER SWITCH
3	1	650138	CIRCUIT BREAKER 20A PUSH BUTTON
4	1	330499	20 A GFCI RECEPTICAL
5	1	330456	30A DPST CIRCUIT BREAKER
6	1	330491	30A 250V TWISTLOCK RECEPTACLE
7	2	620560	BUSS BAR
8	1	041080	1/4-20 X 1 PH-TRUSS HEAD MS SS
9	2	044021	1/4-20 KEPS HEX NUT PL
10	6	041013	#8-32 X 1/2 PH-ROUND HEAD MS PL
11	6	044003	#8-32 KEPS HEX NUT PL
12	10	041018	#6-32 X 1/4 PH-ROUND HEAD MS PL

103006 - 120V 20A OUTLET OPTION
651018 - 240V 30A NEMA OPTION

NOTE: NS = NOT SHOWN. WHEN ORDERING, SPECIFY THE COLOR WANTED ON PARTS CONTAINING THE LETTER "P"

OUTLET BOX MOUNT (Old Style) NIGHT LITE PRO II

2/9/2012

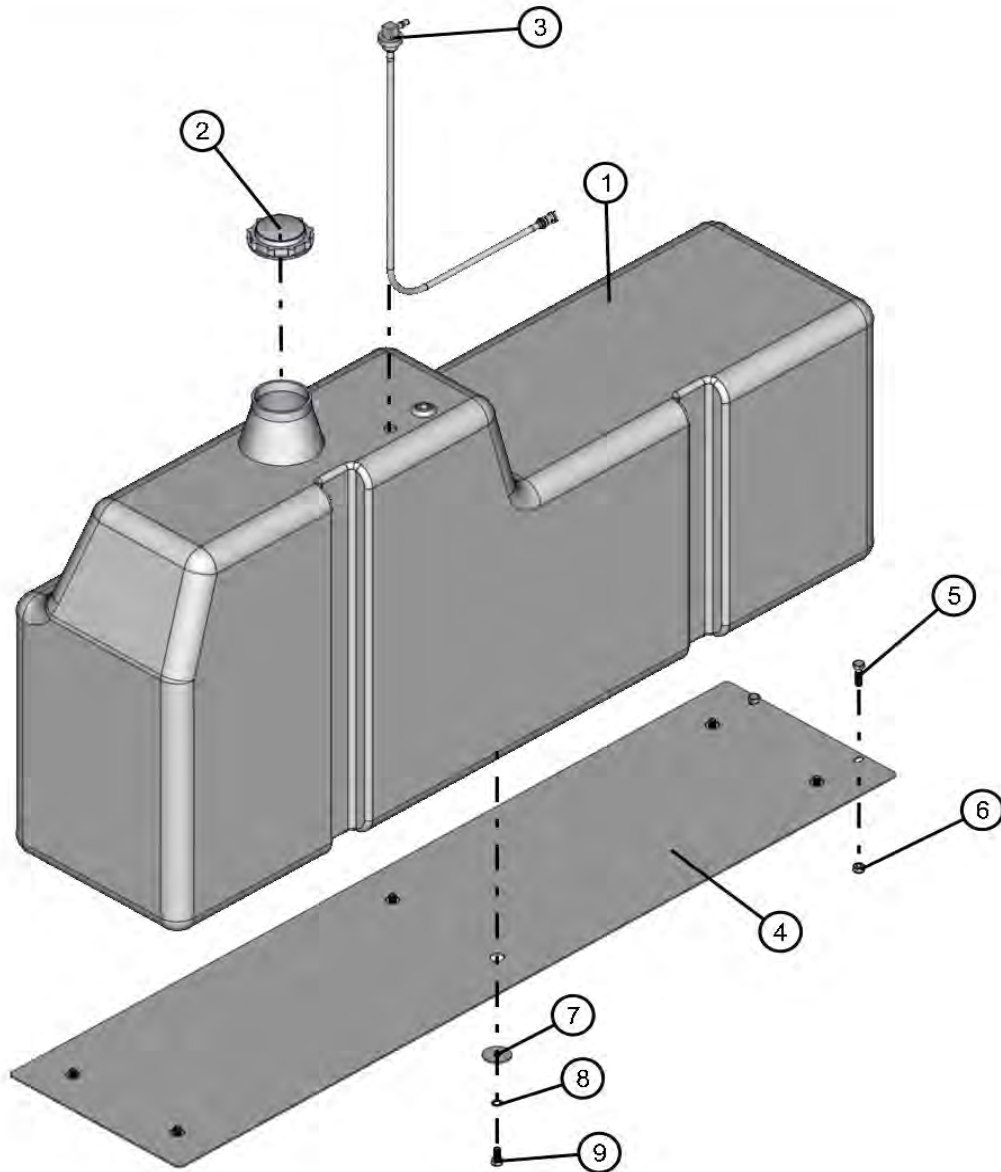


NO	QTY	PARTNO	DESCRIPTION
1	1	102752	BOX TOP
2	1	102946	2" ROMEX CLAMP 2 SCREW
3	2	102843P	MOUNT
4	4	047010	5/16 FLAT WASHER PL
5	2	053020	5/16-18 X 1 CARRIAGE BOLT PL
6	2	044030	5/16-18 HEX NUT PL
7	4	041080	1/4-20 X 1 PH-TRUSS HEAD MS SS
8	4	044021	1/4-20 KEPS HEX NUT PL
9	2	046050	5/16-18 X 1 HEX HEAD CS GR5 PL
10	8	041013	#8-32 X 1/2 PH-ROUND HEAD MS PL
11	8	044015	#8-32 KEPS HEX NUT SS

NOTE: NS = NOT SHOWN. WHEN ORDERING, SPECIFY THE COLOR WANTED ON PARTS CONTAINING THE LETTER "P"

FUEL TANK NIGHT LITE PRO II

2/9/2012



NO	QTY	PARTNO	DESCRIPTION
1	1	650108	FUEL TANK
2	1	340027	FUEL CAP
3	1	340025	FUEL SUCTION TUBE
4	1	102800P	PLATE
5	2	046015	1/4-20 X 1 HEX HEAD CS GR5 PL
6	2	044023	1/4-20 NYLOCK HEX NUT PL
7	6	047007	1/4 X 1 1/4 X .056 FENDER WASHER
8	6	043050	1/4 INTL TOOTH LOCK WASHER
9	6	046006	1/4-20 X 5/8 HEX HEAD CS GR5 PL

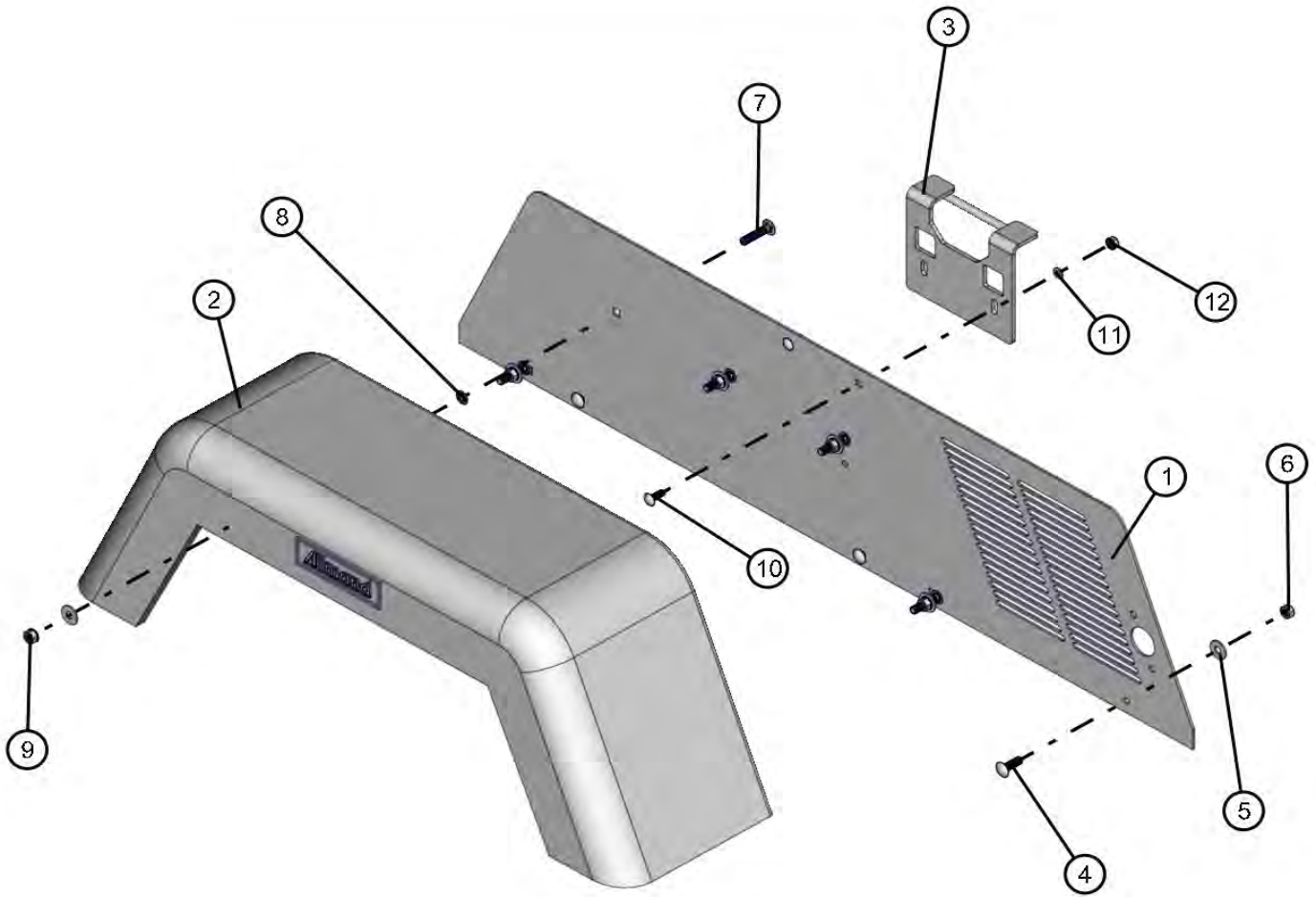
**NOTE: PLATE AND MOUNTING HARDWARE USED ONLY IN
NON-CONTAINMENT TRAILERS.**

NOTE: NS = NOT SHOWN. WHEN ORDERING, SPECIFY THE COLOR WANTED ON PARTS CONTAINING THE LETTER "P"

RIGHT FENDER MOUNT (Laydown Tower)

NIGHT LITE PRO II

2/9/2012

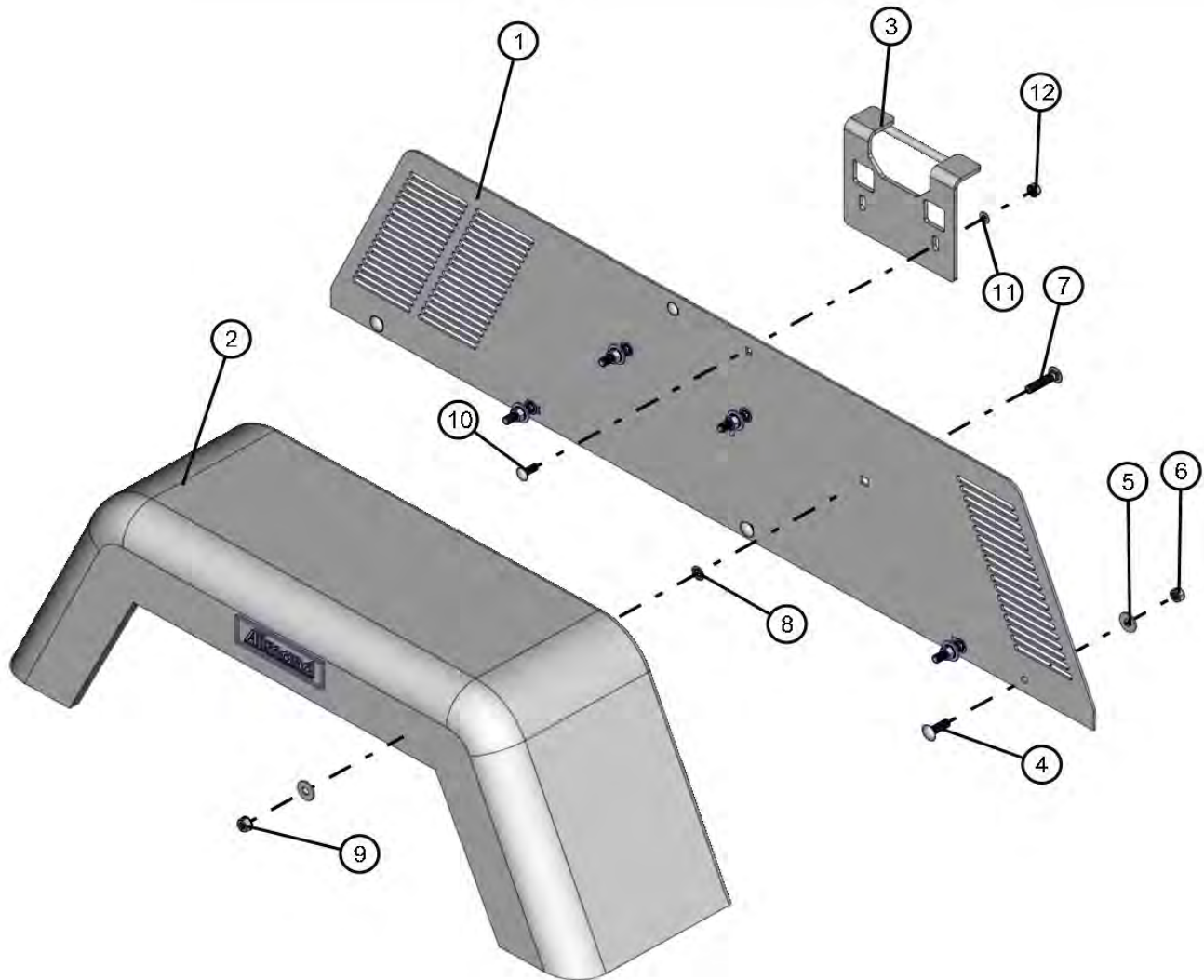


NO	QTY	PARTNO	DESCRIPTION
1	1	102765P	MOUNT
2	1	650297	FENDER
3	1	102990P	CATCH BRACKET
4	3	053020	5/16-18 X 1 CARRIAGE BOLT PL
5	8	047010	5/16 FLAT WASHER PL
6	3	044030	5/16-18 HEX NUT PL
7	5	053023	5/16-18 X 1 1/2 CARRIAGE BOLT PL
8	5	045217	5/16 PUSH NUT
9	5	044031	5/16 -18 KEPS HEX NUT PL
10	2	053006	1/4-20 X 3/4 CARRIAGE BOLT
11	2	047009	1/4 FLAT WASHER SAE SS
12	2	044021	1/4-20 KEPS HEX NUT PL

NOTE: NS = NOT SHOWN. WHEN ORDERING, SPECIFY THE COLOR WANTED ON PARTS CONTAINING THE LETTER "P"

RIGHT INNER FENDER (Vertical Tower) NIGHT LITE PRO II

2/9/2012



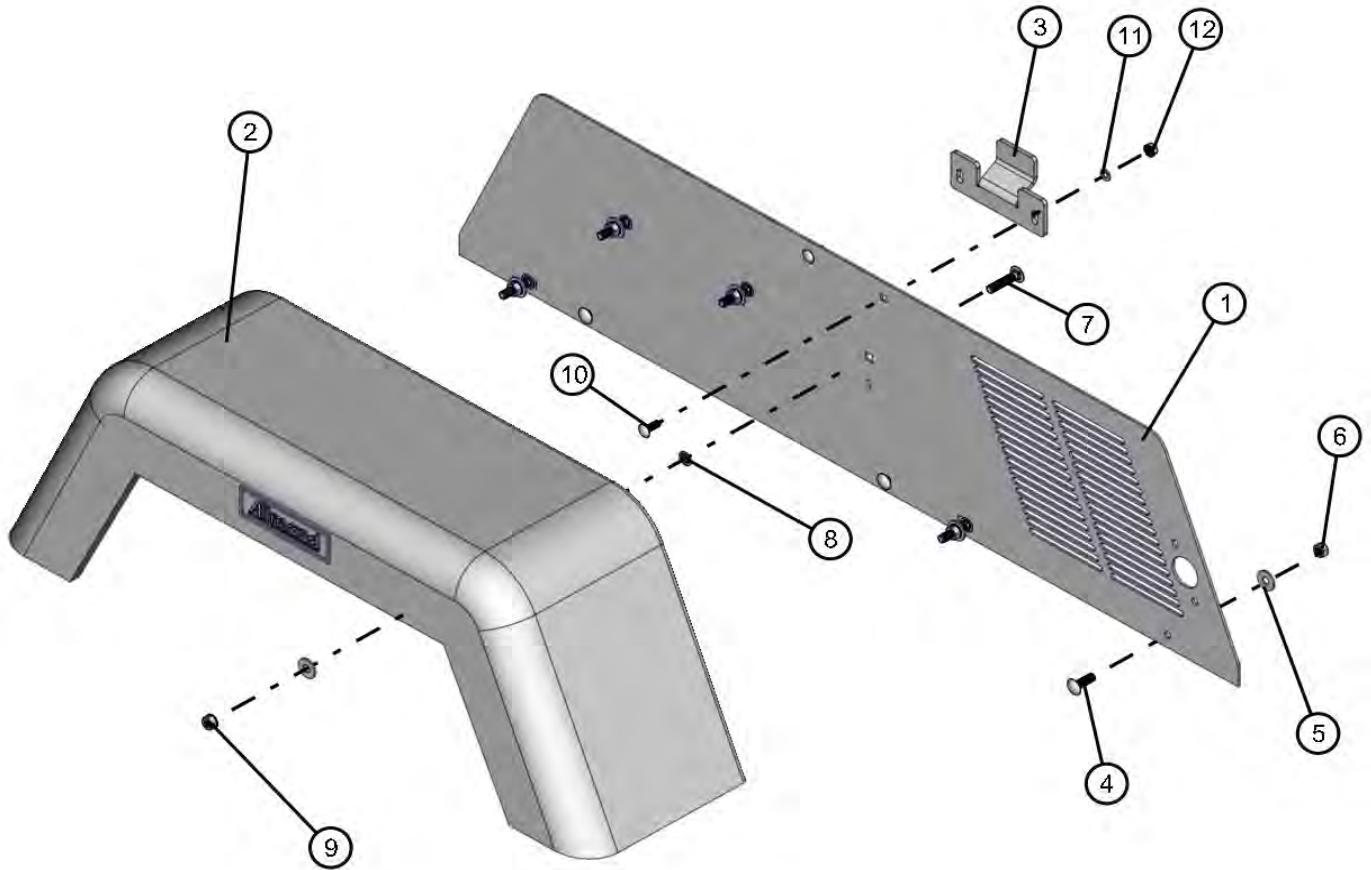
NO	QTY	PARTNO	DESCRIPTION
1	1	102840P	MOUNT
2	1	650297	FENDER
3	1	102990P	CATCH BRACKET
4	3	053020	5/16-18 X 1 CARRIAGE BOLT PL
5	8	047010	5/16 FLAT WASHER PL
6	3	044030	5/16-18 HEX NUT PL
7	5	053023	5/16-18 X 1 1/2 CARRIAGE BOLT PL
8	5	045217	5/16 PUSH NUT
9	5	044031	5/16 -18 KEPS HEX NUT PL
10	2	053006	1/4-20 X 3/4 CARRIAGE BOLT
11	2	047009	1/4 FLAT WASHER SAE SS
12	2	044021	1/4-20 KEPS HEX NUT PL

NOTE: NS = NOT SHOWN. WHEN ORDERING, SPECIFY THE COLOR WANTED ON PARTS CONTAINING THE LETTER "P"

RIGHT INNER FENDER (Old Style Laydown Tower)

NIGHT LITE PRO II

2/9/2012

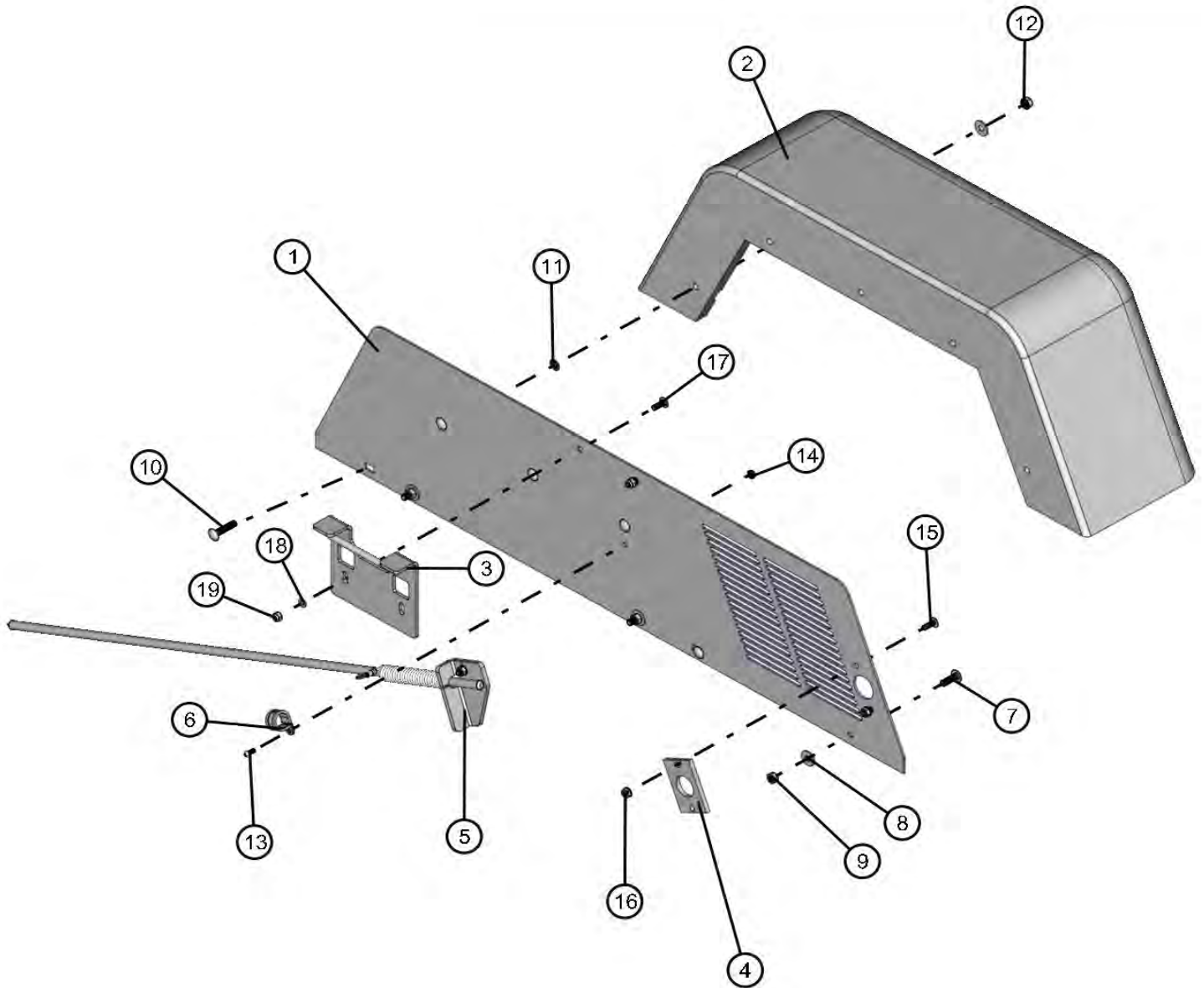


NO	QTY	PARTNO	DESCRIPTION
1	1	102765P	MOUNT
2	1	650297	FENDER
3	1	102755P	CATCH
4	3	053020	5/16-18 X 1 CARRIAGE BOLT PL
5	8	047010	5/16 FLAT WASHER PL
6	3	044030	5/16-18 HEX NUT PL
7	5	053023	5/16-18 X 1 1/2 CARRIAGE BOLT PL
8	5	045217	5/16 PUSH NUT
9	5	044031	5/16 -18 KEPS HEX NUT PL
10	2	053006	1/4-20 X 3/4 CARRIAGE BOLT
11	2	047009	1/4 FLAT WASHER SAE SS
12	2	044021	1/4-20 KEPS HEX NUT PL

NOTE: NS = NOT SHOWN. WHEN ORDERING, SPECIFY THE COLOR WANTED ON PARTS CONTAINING THE LETTER "P"

LEFT INNER FENDER (Laydown Tower) NIGHT LITE PRO II

2/9/2012



NO	QTY	PARTNO	DESCRIPTION
1	1	102765P	MOUNT
2	1	650297	FENDER
3	1	102990P	CATCH BRACKET
4	1	650106	GUIDE BLOCK
5	1	340058	GROUND ROD
6	1	022024	#12 CUSHION CLAMP
7	3	053020	5/16-18 X 1 CARRIAGE BOLT PL
8	8	047010	5/16 FLAT WASHER PL
9	3	044030	5/16-18 HEX NUT PL
10	5	053023	5/16-18 X 1 1/2 CARRIAGE BOLT PL

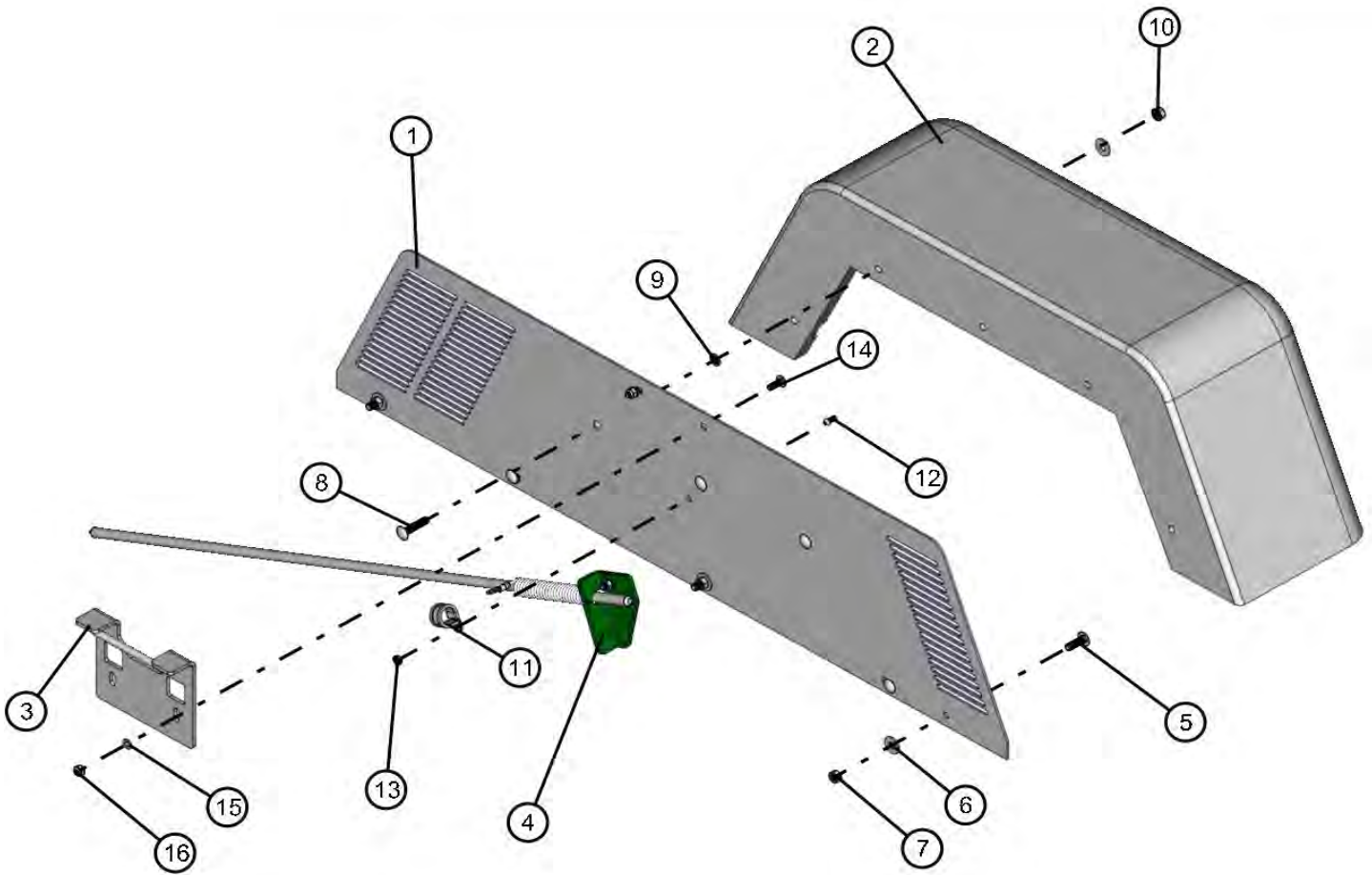
NO	QTY	PARTNO	DESCRIPTION
11	5	045217	5/16 PUSH NUT
12	5	044031	5/16 -18 KEPS HEX NUT PL
13	1	041024	#10-24 X 1/2 PH-ROUND HEAD MS SS
14	1	044016	#10-24 KEPS HEX NUT PL
15	2	041050	1/4-20 X 3/4 PH-TRUSS HEAD MS SS
16	2	044021	1/4-20 KEPS HEX NUT PL
17	2	053006	1/4-20 X 3/4 CARRIAGE BOLT
18	2	047009	1/4 FLAT WASHER SAE SS
19	2	044023	1/4-20 NYLOCK HEX NUT PL

NOTE: NS = NOT SHOWN. WHEN ORDERING, SPECIFY THE COLOR WANTED ON PARTS CONTAINING THE LETTER "P"

LEFT INNER FENDER (Vertical Tower)

NIGHT LITE PRO II

2/9/2012



NO	QTY	PARTNO	DESCRIPTION
1	1	102840P	MOUNT
2	1	650297	FENDER
3	1	102990P	CATCH BRACKET
4	1	340058	GROUND ROD
5	3	053020	5/16-18 X 1 CARRIAGE BOLT PL
6	8	047010	5/16 FLAT WASHER PL
7	3	044030	5/16-18 HEX NUT PL
8	5	053023	5/16-18 X 1 1/2 CARRIAGE BOLT PL
9	5	045217	5/16 PUSH NUT

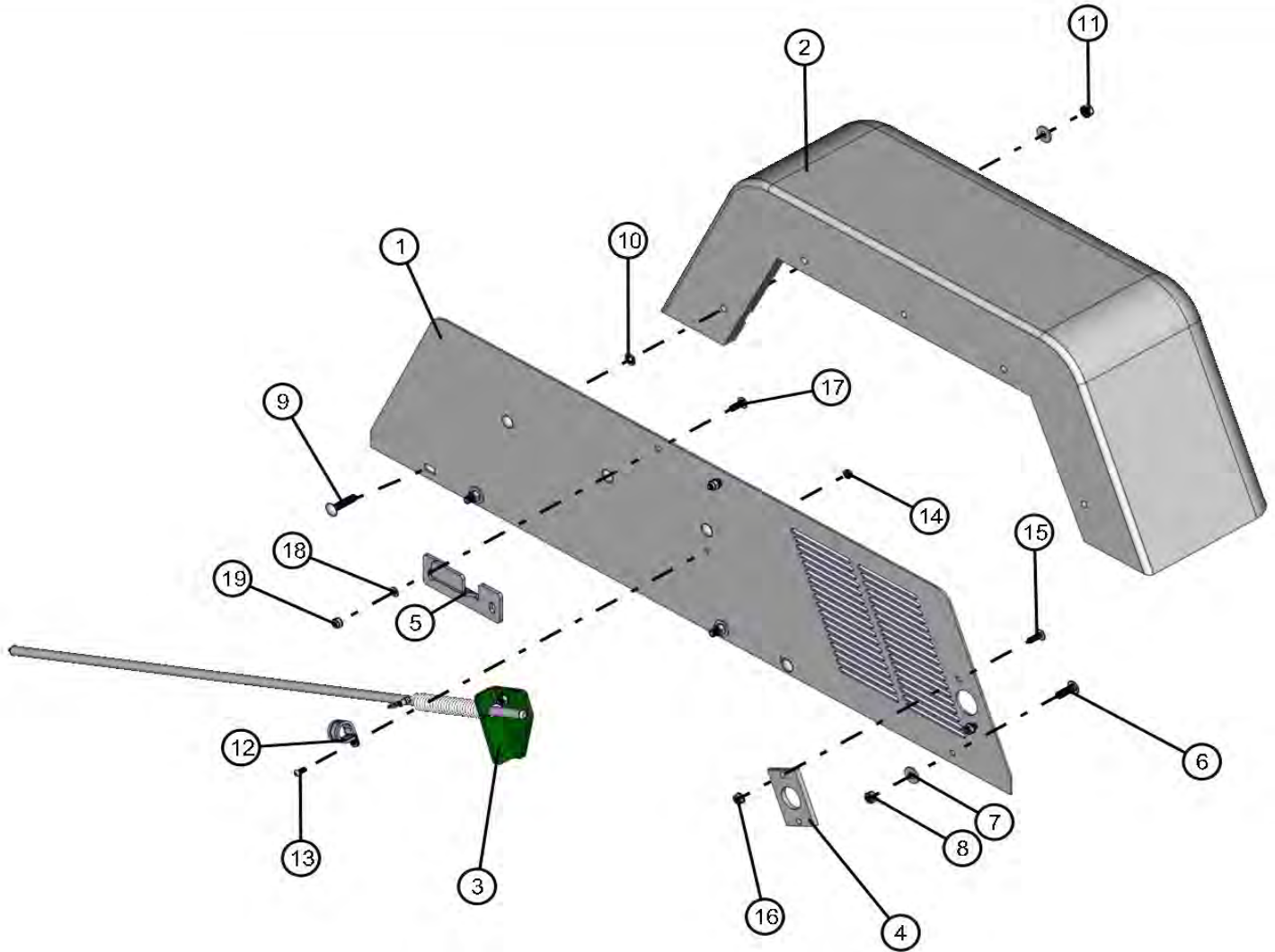
NO	QTY	PARTNO	DESCRIPTION
10	5	044031	5/16 -18 KEPS HEX NUT PL
11	1	022024	#12 CHUSION CLAMP
12	1	041024	#10-24 X 1/2 PH-ROUND HEAD MS SS
13	1	044016	#10-24 KEPS HEX NUT PL
14	2	053006	1/4-20 X 3/4 CARRIAGE BOLT
15	2	047009	1/4 FLAT WASHER SAE SS
16	2	044023	1/4-20 NYLOCK HEX NUT PL

NOTE: NS = NOT SHOWN. WHEN ORDERING, SPECIFY THE COLOR WANTED ON PARTS CONTAINING THE LETTER "P"

LEFT FENDER MOUNT (Old Style Laydown Tower)

NIGHT LITE PRO II

2/9/2012



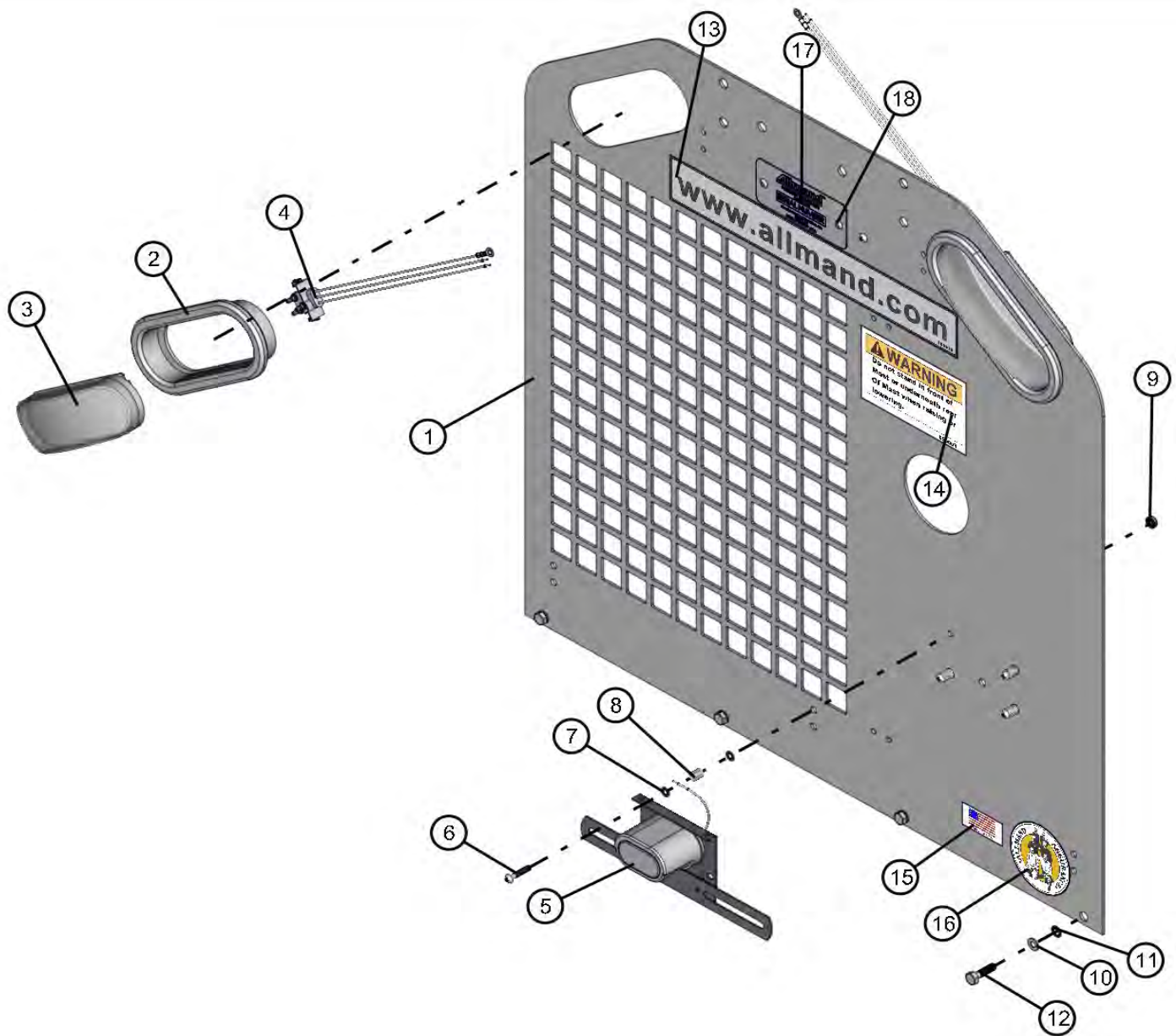
NO	QTY	PARTNO	DESCRIPTION
1	1	102765P	MOUNT
2	1	650297	FENDER
3	1	340058	GROUND ROD
4	1	650106	GUIDE BLOCK
5	1	102755P	CATCH
6	3	053020	5/16-18 X 1 CARRIAGE BOLT PL
7	8	047010	5/16 FLAT WASHER PL
8	3	044030	5/16-18 HEX NUT PL
9	5	053023	5/16-18 X 1 1/2 CARRIAGE BOLT PL
10	5	045217	5/16 PUSH NUT

NO	QTY	PARTNO	DESCRIPTION
11	5	044031	5/16 -18 KEPS HEX NUT PL
12	1	022024	#12 CUSHION CLAMP
13	1	041024	#10-24 X 1/2 PH-ROUND HEAD MS SS
14	1	044016	#10-24 KEPS HEX NUT PL
15	2	041050	1/4-20 X 3/4 PH-TRUSS HEAD MS SS
16	2	044021	1/4-20 KEPS HEX NUT PL
17	2	053006	1/4-20 X 3/4 CARRIAGE BOLT
18	2	047009	1/4 FLAT WASHER SAE SS
19	2	044023	1/4-20 NYLOCK HEX NUT PL

NOTE: NS = NOT SHOWN. WHEN ORDERING, SPECIFY THE COLOR WANTED ON PARTS CONTAINING THE LETTER "P"

REAR PANEL NIGHT LITE PRO II

2/9/2012



NO	QTY	PARTNO	DESCRIPTION
1	1	102823P	REAR PANEL
2	2	102825	GROMMET
3	2	102826	TAIL LAMP
4	2	102827	PIG TAIL
5	1	032035	LICENSE PLATE LIGHT BRACKET
6	5	041030	#10-24 X 1 PH-ROUND HEAD MS PL
7	10	043015	#10 INTL TOOTH LOCK WASHER PL
8	4	022180	SPACER
9	5	044016	#10-24 KEPS HEX NUT PL
10	4	047009	1/4 FLAT WASHER SAE SS

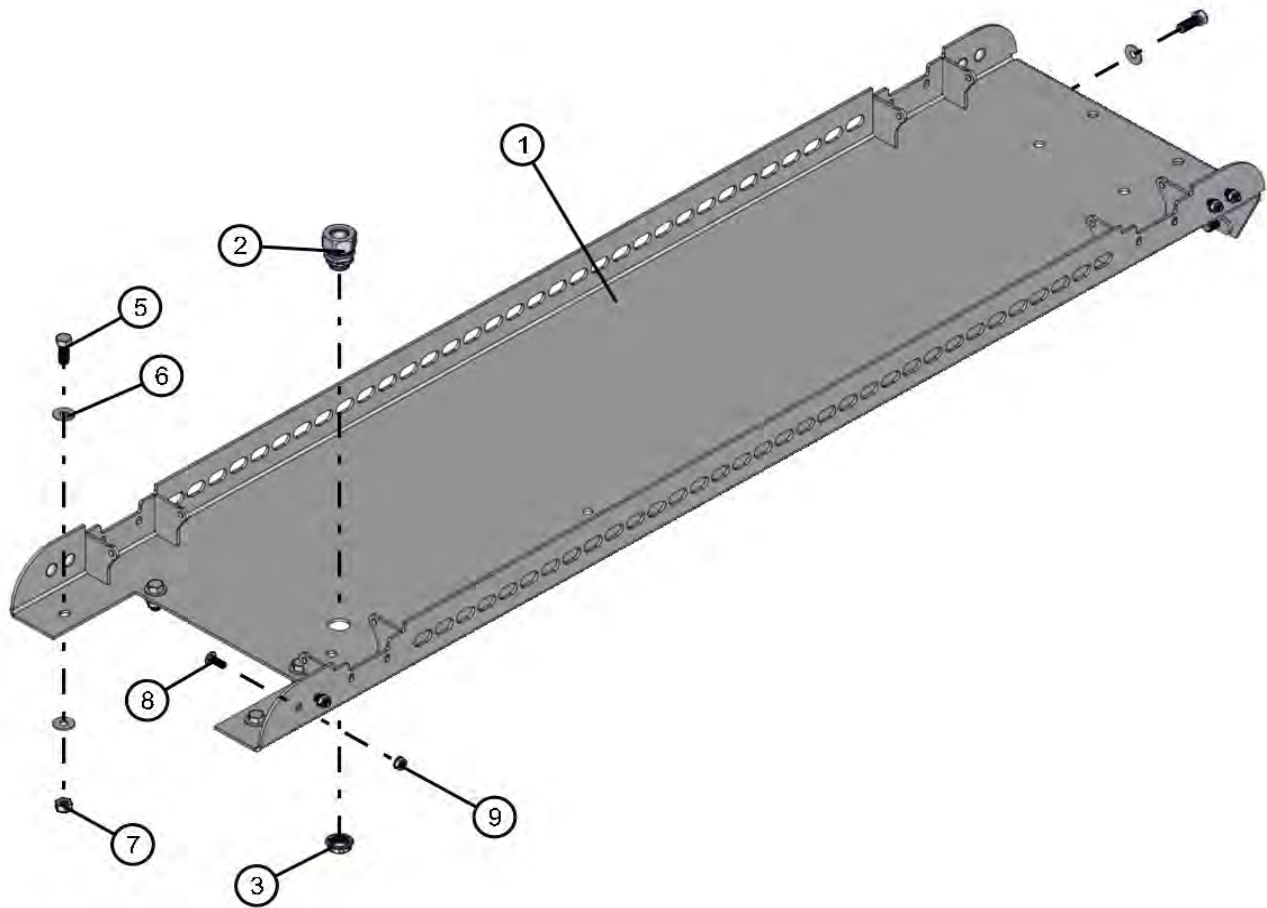
NO	QTY	PARTNO	DESCRIPTION
11	4	043050	1/4 INTL TOOTH LOCK WASHER
12	4	046015	1/4-20 X 1 HEX HEAD CS GR5 PL
13	1	100919	WWW.ALMAND.COM DECAL
14	1	090003	DO NOT STAND DECAL (LAYDOWN ONLY)
15	1	090385	MADE IN USA DECAL
16	1	102088	3 GENERATIONS DECAL
17	1	N/A	ALLMAND SERIAL PLATE
18	2	045110	3/16 X 1/4 ALUM BLIND RIVET

NOTE: NS = NOT SHOWN. WHEN ORDERING, SPECIFY THE COLOR WANTED ON PARTS CONTAINING THE LETTER "P"

LAYDOWN TOWER STRINGER

NIGHT LITE PRO II

2/9/2012



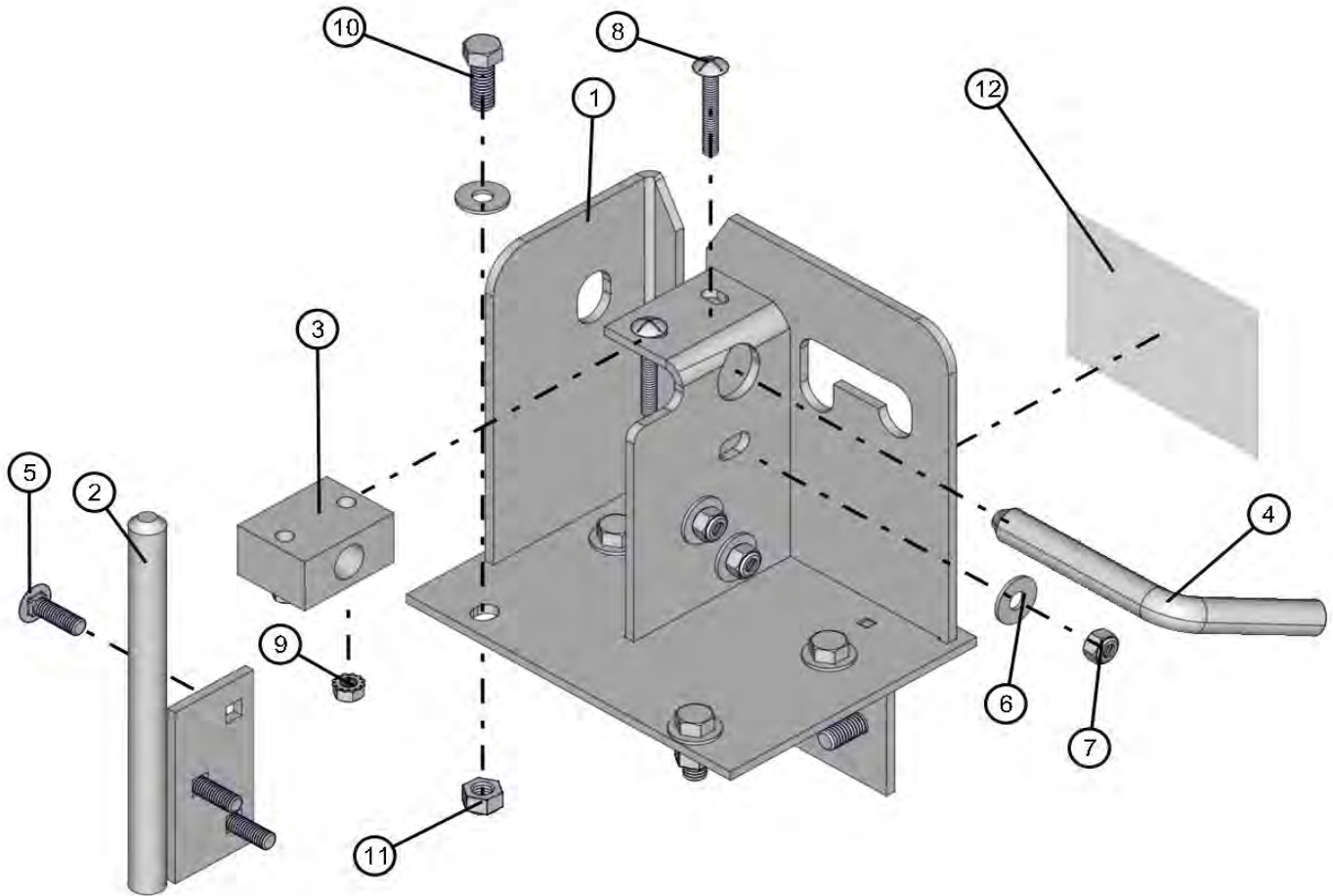
NO	QTY	PARTNO	DESCRIPTION
1	1	102779P	STRINGER
2	1	310033	1/2 CORD GRIP
3	1	022415	1/2 INSULATING BUSHING
5	1	046110	3/8-16 X 1 HEX HEAD CS GR5 PL
6	12	047010	5/16 FLAT WASHER PL
7	4	044038	3/8-16 NYLOCK HEX NUT PL
8	8	053007	1/4-20 X 3/4 CARRIAGE BOLT SS
9	8	044021	1/4-20 KEPS HEX NUT PL

NOTE: 310033 IS USED WITH 16/8 TOWER CORD
310032 IS USED WITH 14/7 TOWER CORD

NOTE: NS = NOT SHOWN. WHEN ORDERING, SPECIFY THE COLOR WANTED ON PARTS CONTAINING THE LETTER "P"

REAR TOWER SUPPORT NIGHT LITE PRO II

2/9/2012



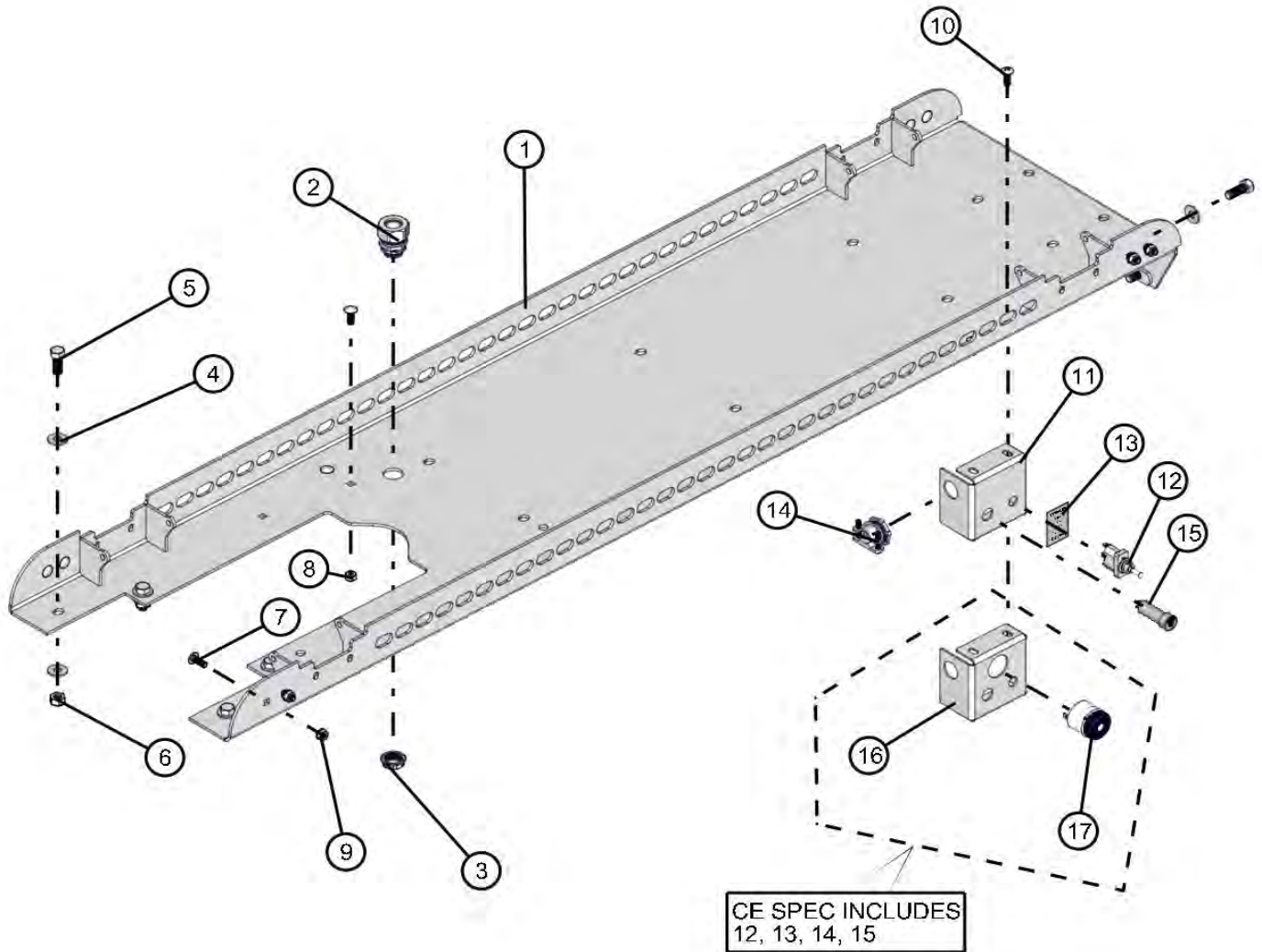
NO	QTY	PARTNO	DESCRIPTION
1	1	103295P	TOWER SUPPORT
2	1	103292P	PIN
3	1	330430	GUIDE BLOCK
4	1	330455	OUTRIGGER PIN
5	3	053020	5/16-18 X 1 CARRIAGE BOLT PL
6	9	047010	5/16 FLAT WASHER PL
7	3	044033	5/16-18 NYLOCK HEX NUT PL
8	2	041053	1/4-20 x 1 3/4 PH-TRUSS HEAD MS SS
9	2	044021	1/4-20 KEPS HEX NUT PL
10	6	046110	3/8-16 X 1 HEX HEAD CS GR5 PL
11	4	044038	3/8-16 NYLOCK HEX NUT PL
12	1	090139	TOWER LATCH DECAL

102773 - TOWER SUPPORT ASSEMBLY

NOTE: NS = NOT SHOWN. WHEN ORDERING, SPECIFY THE COLOR WANTED ON PARTS CONTAINING THE LETTER "P"

VERTICAL TOWER STRINGER NIGHT LITE PRO II

2/9/2012



NO	QTY	PARTNO	DESCRIPTION
1	1	102797P	STRINGER
2	1	310033	1/2 CORD GRIP
3	1	022415	1/2 INSULATING BUSHING
4	12	047010	5/16 FLAT WASHER PL
5	8	046110	3/8-16 X 1 HEX HEAD CS GR5 PL
6	4	044038	3/8-16 NYLOCK HEX NUT PL
7	10	053007	1/4-20 X 3/4 CARR BOLT SS
8	2	044023	1/4-20 NYLOCK HEX NUT PL
9	10	044021	1/4-20 KEPS HEX NUT PL

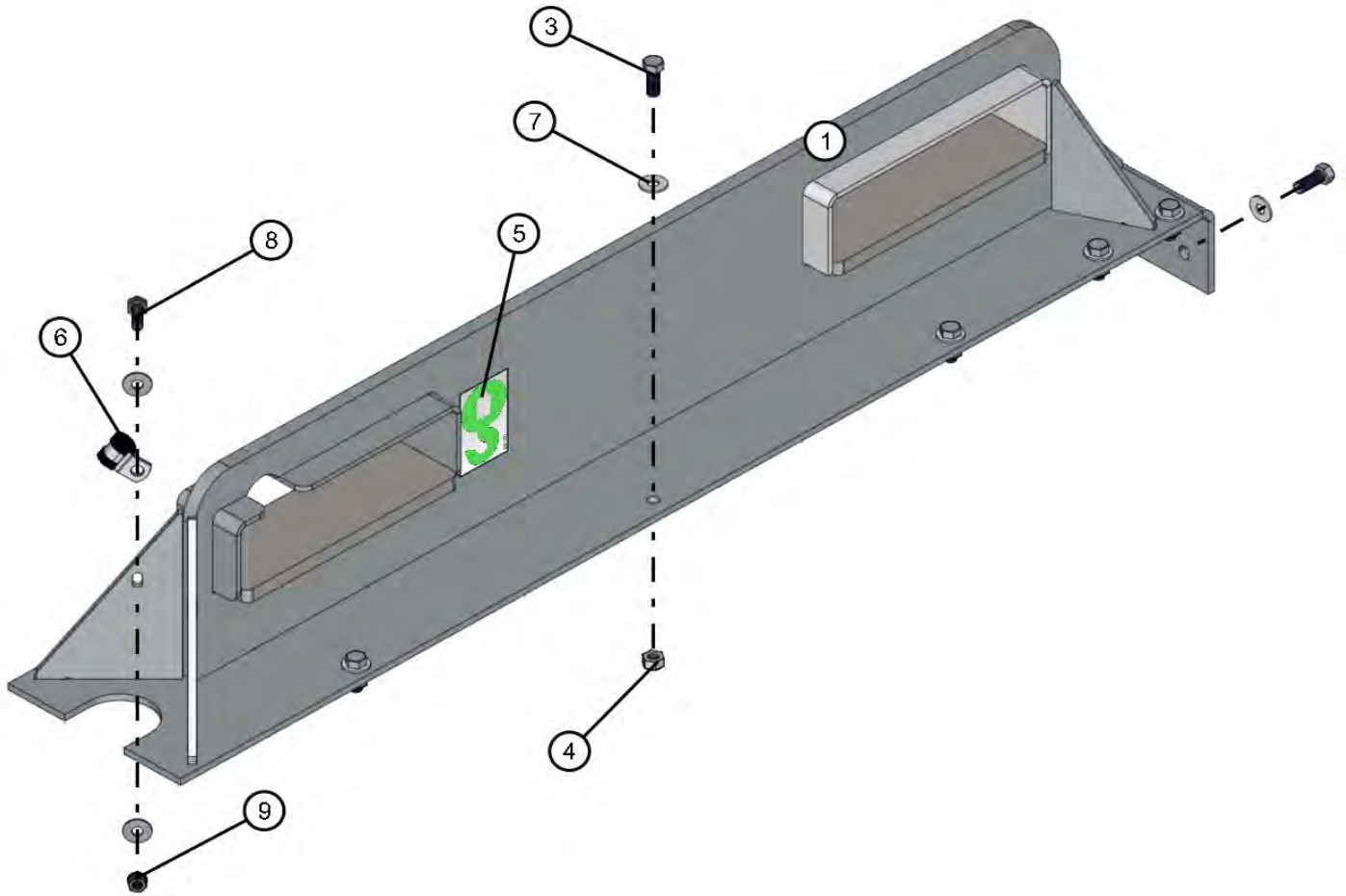
NO	QTY	PARTNO	DESCRIPTION
10	2	041050	1/4-20 X 3/4 PH-TRUSS HEAD MS SS
11	1	102947P	CONTROL BRACKET
12	1	102453	TOGGLE SWITCH
13	1	090399	UP & DOWN
14	1	022025	3/4 2-SCREW ROMEX CLAMP
15	1	352466	CIRCUIT BREAKER 2 AMP
16	1	103302P	CONTROL BRACKET
17	1	921255	AUDIBLE ALARM

NOTE: 310033 IS USED WITH 16/8 TOWER CORD
310032 IS USED WITH 14/7 TOWER CORD

NOTE: NS = NOT SHOWN. WHEN ORDERING, SPECIFY THE COLOR WANTED ON PARTS CONTAINING THE LETTER "P"

LIFT BAR NIGHT LITE PRO II

2/9/2012

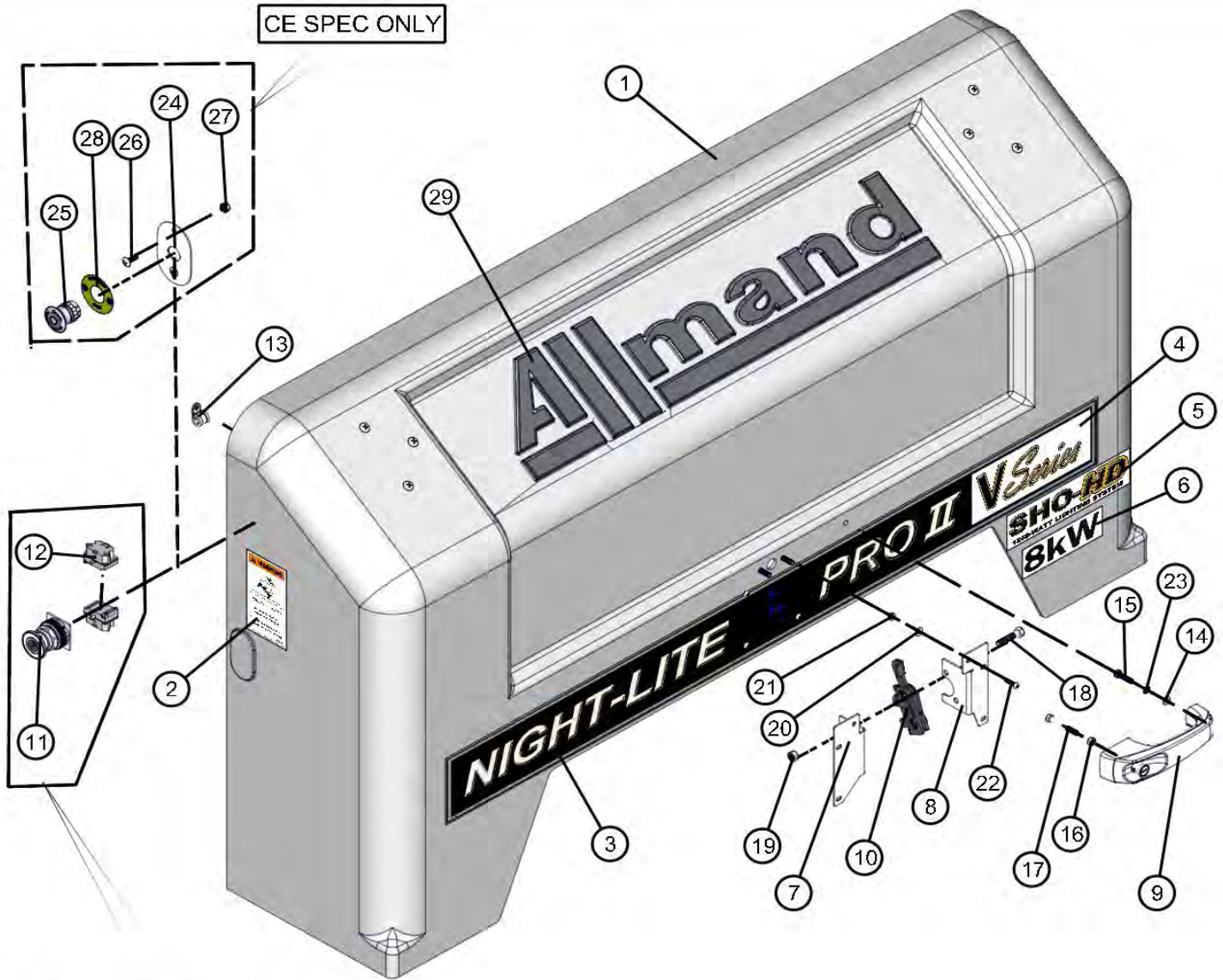


NO	QTY	PARTNO	DESCRIPTION
1	1	102846P	LIFT BAR
3	12	046110	3/8-16 X 1 HEX HEAD CS GR5 PL
4	10	044038	3/8-16 NYLOCK HEX NUT PL
5	2	090136	LIFT POINT
6	1	022018	#8 CUSH CLAMP
7	11	047010	5/16 FLAT WASHER PL
8	1	046050	5/16-18 X 1 HEX HEAD CS GR5 PL
9	1	044031	5/16 -18 KEPS HEX NUT PL

NOTE: NS = NOT SHOWN. WHEN ORDERING, SPECIFY THE COLOR WANTED ON PARTS CONTAINING THE LETTER "P"

LEFT DOOR NIGHT LITE PRO II

2/9/2012



AUSTRALIAN SPEC ONLY

100312 - COMPLETE LEFT DOOR ASSEMBLY

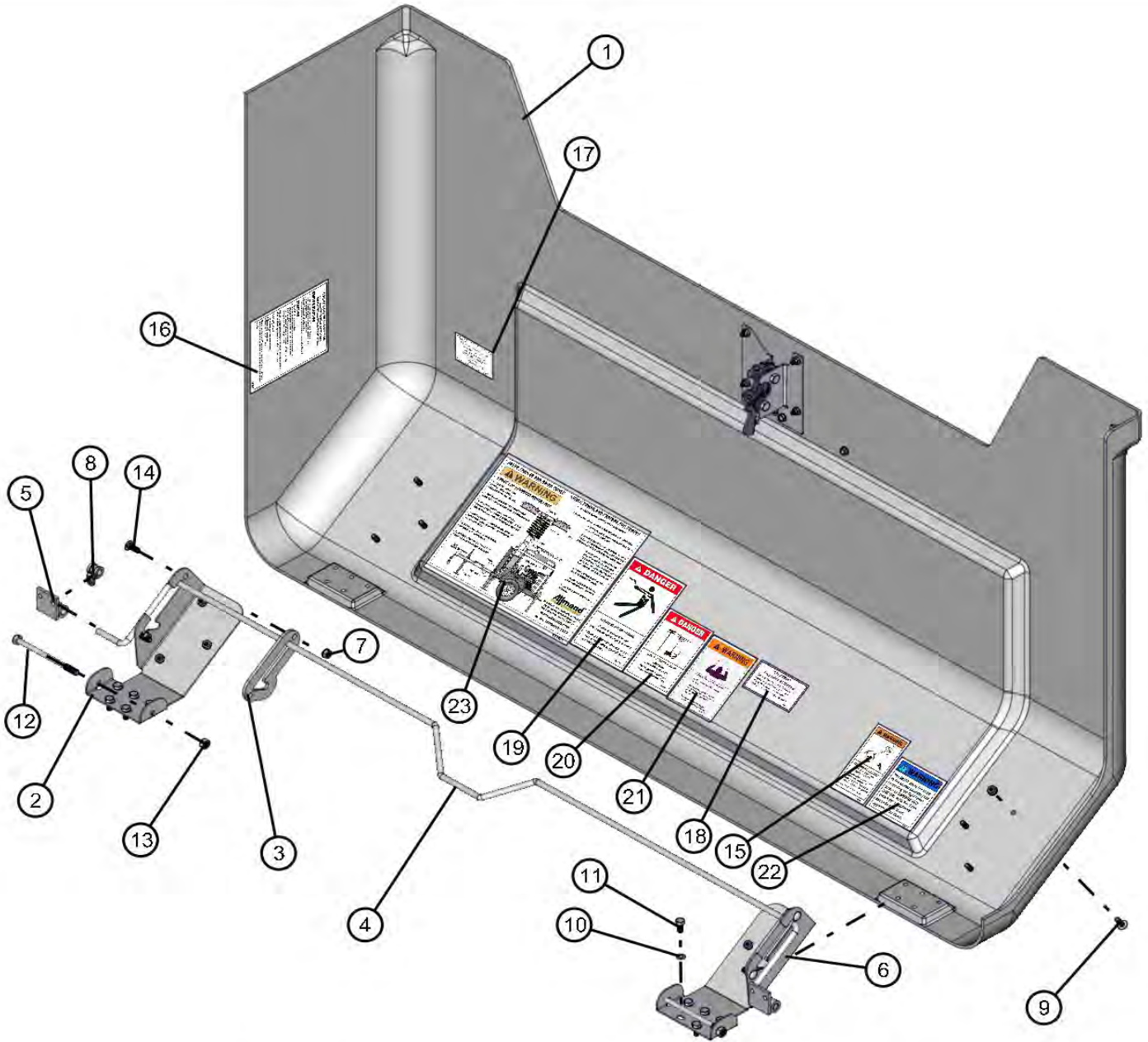
NO	QTY	PARTNO	DESCRIPTION
1	1	102750P	LEFT DOOR
2	1	090226	ROLL OVER DECAL
3	1	102835	DOOR STRIPE DECAL
4	1	102836	V-SERIES DECAL
5	1	102838	SHO-HD DECAL
6	1	102833	8kW DECAL
7	1	102993P	LEFT LATCH PLATE
8	1	102994P	RIGHT LATCH PLATE
9	1	103159	HANDLE
10	1	103158	DOOR LATCH
11	1	650460	EMERGENCY STOP
12	2	650461	CONTACT BLOCK
13	1	022016	#6 CUSH CLAMP
14	1	047009	1/4 FLAT WASHER SAE SS
15	3	042025	M6 X 1.0mm X 25mm HEX HEAD CS GR8.8 ZC

NO	QTY	PARTNO	DESCRIPTION
16	1	042080	M6 X 1.0mm HEX NUT PL
17	1	042026	M6 X 1.0mm X 50mm HEX HEAD CS GR8.8 ZC
18	2	046060	5/16-18 X 1 1/2 HEX HEAD CS GR5 PL
19	2	044030	5/16-18 HEX NUT PL
20	4	047070	#10 FLAT WASHER USS PL
21	4	044018	#10-24 NYLOCK HEX NUT PL
22	4	041027	#10-24 X 3/4 PH-ROUND HEAD MS
23	3	043050	1/4 INTL TOOTH LOCK WASHER
24	1	103288P	E STOP MOUNT
25	1	A109599	E-STOP
26	2	041050	1/4-20 X 3/4 PH-TRUSS HEAD MS SS
27	2	044021	1/4-20 KEPS HEX NUT PL
28	1	A109614	E-STOP DECAL
29	1	102939	ALLMAND DECAL

NOTE: NS = NOT SHOWN. WHEN ORDERING, SPECIFY THE COLOR WANTED ON PARTS CONTAINING THE LETTER "P"

INSIDE LEFT DOOR Vertical Tower NIGHT LITE PRO II

2/9/2012



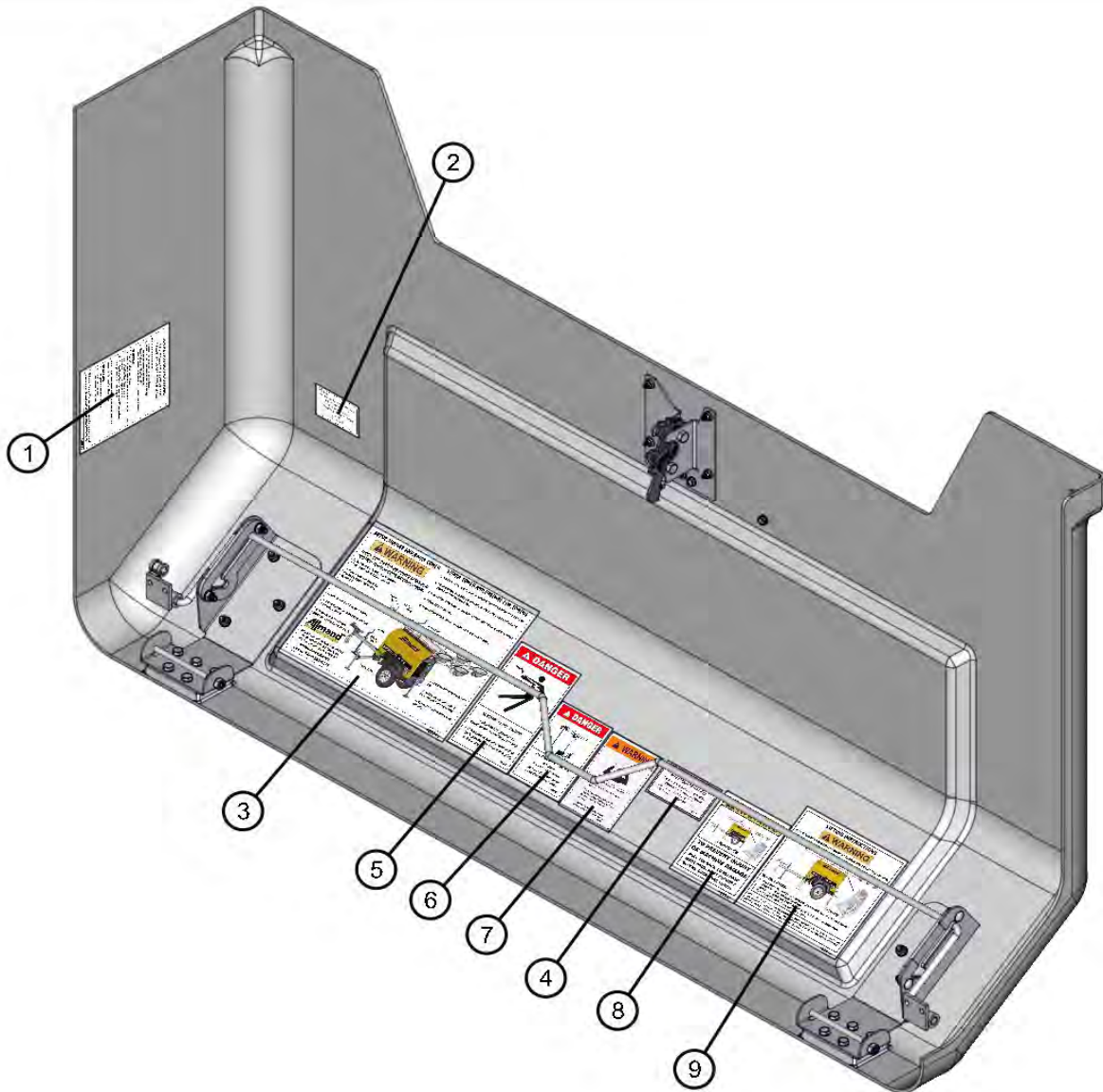
NO	QTY	PARTNO	DESCRIPTION
1	1	102750P	LEFT DOOR
2	1	103050P	DOOR HINGE
3	2	103051P	REINFORCEMENT
4	1	103047P	DOOR PROP
5	2	103052P	MOUNT
6	1	103048P	DOOR HINGE
7	10	044021	1/4-20 KEPS HEX NUT PL
8	1	022016	#6 CUSH CLAMP
9	6	041050	1/4-20 X 3/4 PH-TRUSS HEAD MS SS
10	10	047009	1/4 FLAT WASHER SAE SS
11	10	046006	1/4-20 X 5/8 HEX HEAD CS GR5 PL
12	2	046080	5/16-18 X 4 1/2 HEX HEAD CS GR5 PL

NO	QTY	PARTNO	DESCRIPTION
13	2	044030	5/16-18 HEX NUT PL
14	4	053006	1/4-20 X 3/4 CARRIAGE BOLT
15	1	090166	OVERHEAD HAZARD DECAL
16	1	102909	OPERATING INSTRUCTIONS DECAL
17	1	090465	PARTS & SERVICE DECAL
18	1	090179	PROPOSITION 65 DECAL
19	1	090163	ELECTRICAL SHOCK DECAL
20	1	090165	ELECTRICAL SHOCK
21	1	090158	OPERATORS MANUAL DECAL
22	1	100247	DAMAGE MAY OCCUR DECAL
23	1	103021	SETUP DECAL

NOTE: NS = NOT SHOWN. WHEN ORDERING, SPECIFY THE COLOR WANTED ON PARTS CONTAINING THE LETTER "P"

INSIDE LEFT DOOR Laydown Tower NIGHT LITE PRO II

2/9/2012

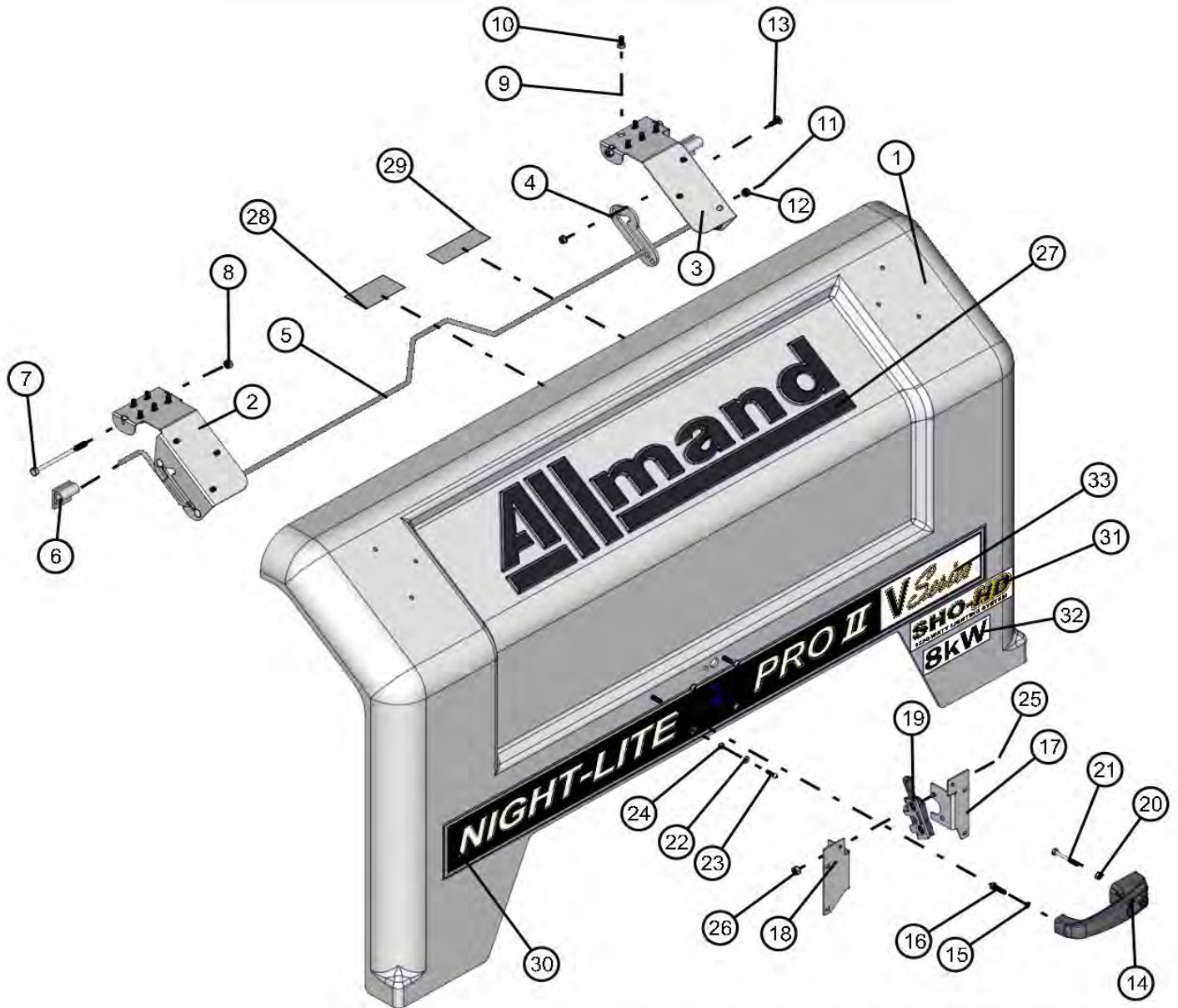


NO	QTY	PARTNO	DESCRIPTION
1	1	102909	OPERATING INSTRUCTIONS DECAL
2	1	090465	PARTS & SERVICE DECAL
3	1	103018	SETUP DECAL
4	1	090179	PROPOSITION 65 DECAL
5	1	090163	ELECTRICAL SHOCK DECAL
6	1	090165	ELECTRICAL SHOCK
7	1	090158	OPERATORS MANUAL DECAL
8	1	103020	UNLATCH PIN DECAL
9	1	103019	LIFTING INSTRUCTIONS DECAL

NOTE: NS = NOT SHOWN. WHEN ORDERING, SPECIFY THE COLOR WANTED ON PARTS CONTAINING THE LETTER "P"

RIGHT DOOR NIGHT LITE PRO II

2/9/2012



103313 - COMPLETE RIGHT DOOR ASSEMBLY

NO	QTY	PARTNO	DESCRIPTION
1	1	102751P	RT DOOR
2	1	103050P	DOOR HINGE
3	1	103048P	DOOR HINGE
4	2	103051P	REINFORCEMENT
5	1	103047P	DOOR PROP
6	2	103052P	MOUNT
7	2	046080	5/16-18 X 4 1/2 HEX HEAD CS GR5 PL
8	2	044030	5/16-18 HEX NUT PL
9	11	047009	1/4 FLAT WASHER SAE SS
10	10	046006	1/4-20 X 5/8 HEX HEAD CS GR5 PL
11	6	041050	1/4-20 X 3/4 PH-TRUSS HEAD MS SS
12	10	044021	1/4-20 KEPS HEX NUT PL
13	4	053006	1/4-20 X 3/4 CARRIAGE BOLT
14	1	103159	HANDLE
15	3	043050	1/4 INTL TOOTH LOCK WASHER
16	3	042025	M6 X 1.0mm X 25mm HEX HEAD CS GR8 & ZC
17	1	102994P	RIGHT LATCH PLATE

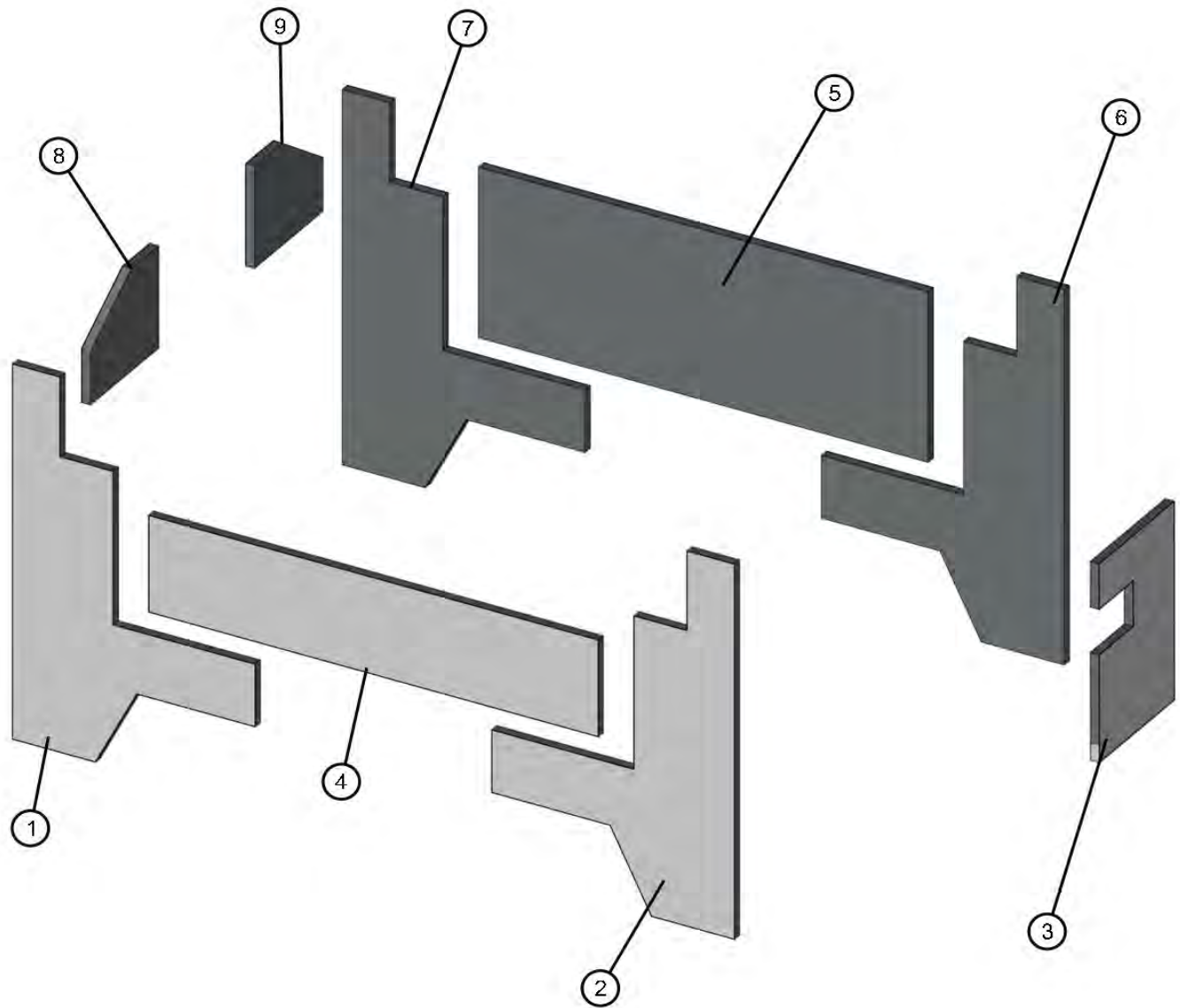
NO	QTY	PARTNO	DESCRIPTION
18	1	102993P	LEFT LATCH PLATE
19	1	103158	DOOR LATCH
20	1	042080	M6 X 1.0mm HEX NUT PL
21	1	042026	M6 X 1.0mm X 50mm HEX HEAD CS GR8 & ZC
22	8	047070	#10 FLAT WASHER USS PL
23	4	041027	#10-24 X 3/4 PH-ROUND HEAD MS
24	4	044018	#10-24 NYLOCK HEX NUT PL
25	2	046060	5/16-18 X 1 1/2 HEX HEAD CS GR5 PL
26	2	044030	5/16-18 HEX NUT PL
27	1	102939	ALLMAND DECAL
28	1	101057	EPA REGULATION DECAL
29	1	090034	DIESEL DECAL
30	1	102835	DOOR STRIPE DECAL
31	1	102838	SHO-HD DECAL
32	1	102833	8kW DECAL
33	1	102836	V-SERIES DECAL

NOTE: NS = NOT SHOWN. WHEN ORDERING, SPECIFY THE COLOR WANTED ON PARTS CONTAINING THE LETTER "P"

SOUND ATTENUATION PACKAGE (OPTION)

NIGHT LITE PRO II

2/9/2012



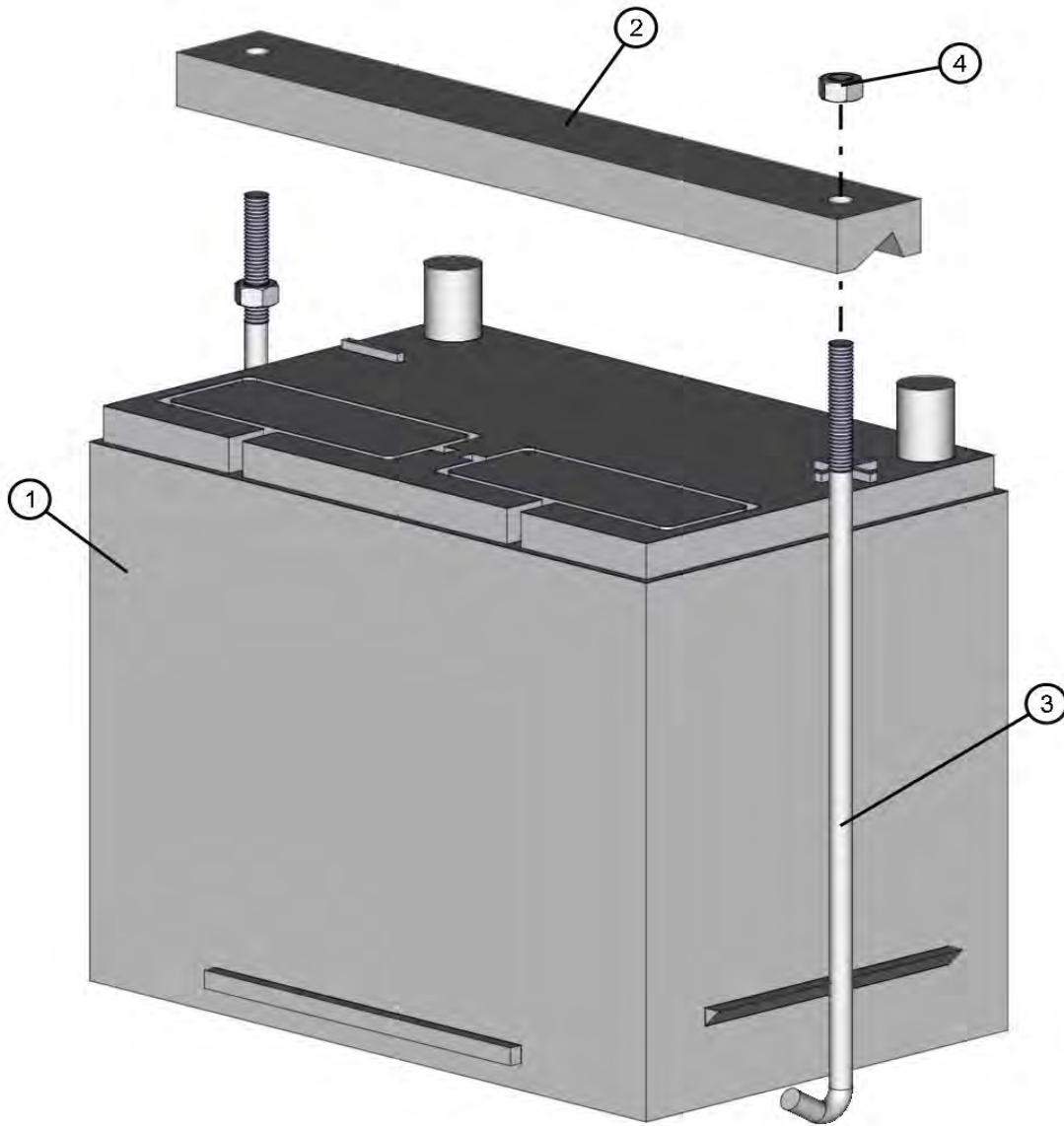
NO	QTY	PARTNO	DESCRIPTION
1	1	103277	DOOR HALF 1
2	1	103278	DOOR HALF 2
3	1	103279	REAR PANEL
4	1	103280	LEFT DOOR RECESS
5	1	103281	RIGHT DOOR RECESS

NO	QTY	PARTNO	DESCRIPTION
6	1	103277	DOOR HALF 1
7	1	103278	DOOR HALF 2
8	1	103282	LEFT DOOR FRONT
9	1	103283	RIGHT DOOR FRONT

NOTE: NS = NOT SHOWN. WHEN ORDERING, SPECIFY THE COLOR WANTED ON PARTS CONTAINING THE LETTER "P"

BATTERY NIGHT LITE PRO II

2/9/2012

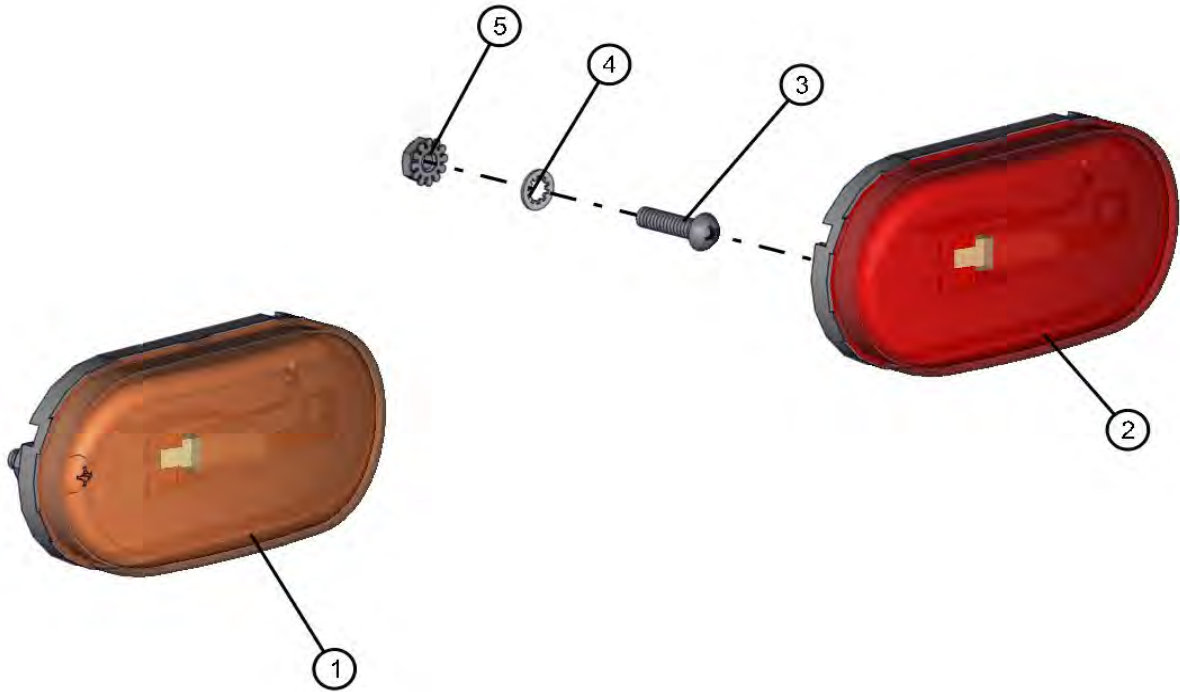


NO	QTY	PARTNO	DESCRIPTION
1	1	NOT AVAILABLE THROUGH ABI	12V BATTERY
4	2	044030	5/16-18 HEX NUT PL
2	1	340017	HOLD DOWN
3	2	433507	5/16-18 J BOLT

NOTE: NS = NOT SHOWN. WHEN ORDERING, SPECIFY THE COLOR WANTED ON PARTS CONTAINING THE LETTER "P"

MARKER LIGHTS NIGHT LITE PRO II

2/9/2012

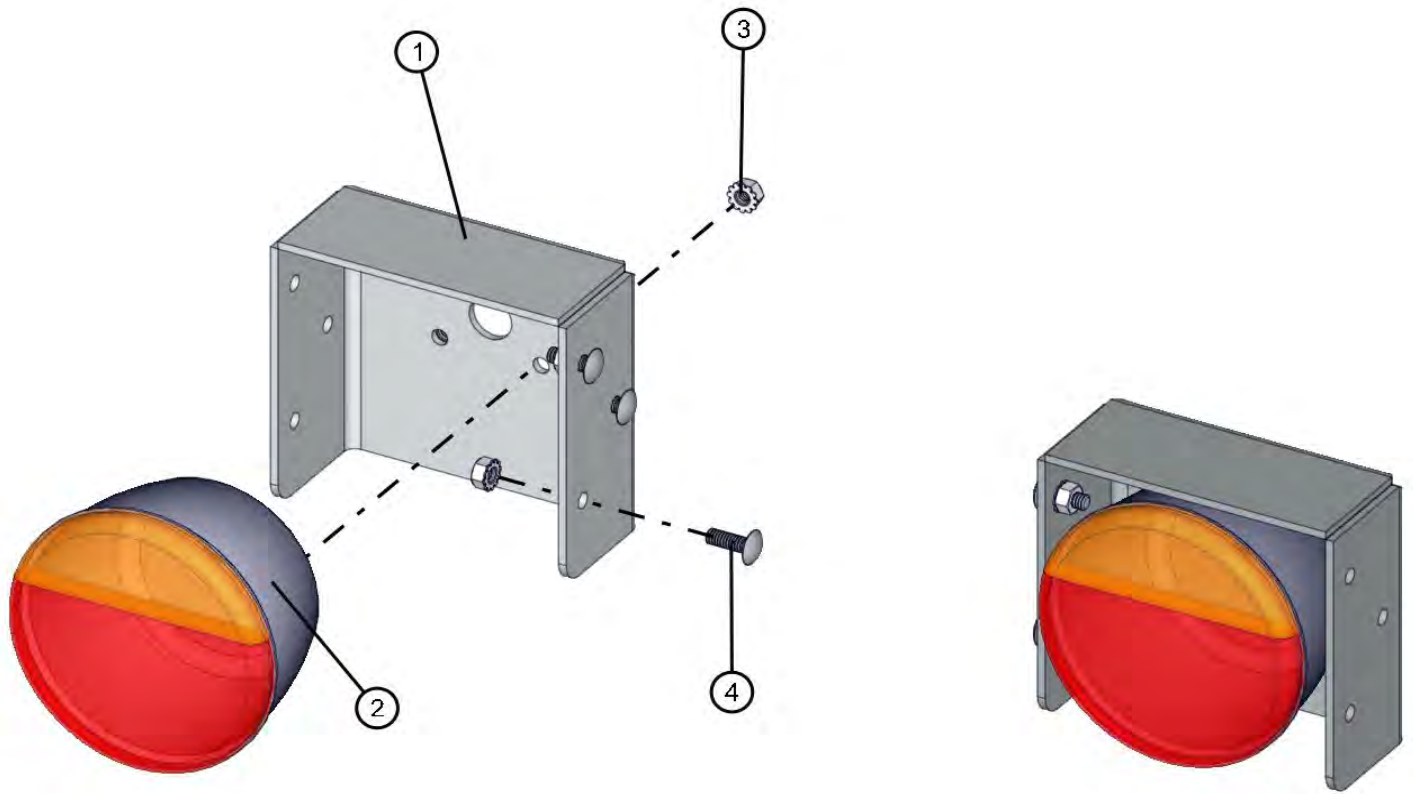


NO	QTY	PARTNO	DESCRIPTION
1	1	022301	AMBER MARKER LIGHT
2	1	022300	RED MARKER LIGHT
3	4	041027	#10-24 X 3/4 PH-ROUND HEAD MS
4	4	043015	#10 INTL TOOTH LOCK WASHER PL
5	4	044016	#10-24 KEPS HEX NUT PL

NOTE: NS = NOT SHOWN. WHEN ORDERING, SPECIFY THE COLOR WANTED ON PARTS CONTAINING THE LETTER "P"

AUSTRALIAN SPEC ONLY AS3000 TAIL LIGHTS NIGHT LITE PRO II

2/9/2012



NO	QTY	PARTNO	DESCRIPTION
1	2	103063P	BRACKET
2	2	102107	COBO TAILLIGHT
3	10	044021	1/4-20 KEPS HEX NUT PL
4	6	053006	1/4-20 X 3/4 CARRIAGE BOLT

NOTE: NS = NOT SHOWN. WHEN ORDERING, SPECIFY THE COLOR WANTED ON PARTS CONTAINING THE LETTER "P"